

## Edgehill Series

# High-Efficiency Toilet Vitreous China - 1.28gpf



### Product Features

- Two-piece vitreous china
- 1.28 gpf HET, High Efficiency Toilet
- High Performance 3" Flush Valve
- 2" glazed trapway
- Gravity fed, double jetted box rim
- EPA WaterSense Certified
- Meets and ASME A112.19.2M
- 1,000g MaP
- Bowls meets CSA B651 & ADA
- 8-1/2" x 7" water surface
- Available in round, elongated and ADA
- Close coupled tank with cover
- Seat and supply not included
- Uses 20% less water than standard low consumption toilets
- Anti-siphon fill valve available
- Chrome tank lever standard



PF9401/PF9412

### Model Numbers

|           |                                             |
|-----------|---------------------------------------------|
| PF9400WH  | 1.28 gpf round front bowl white             |
| PF9401WH* | 1.28 gpf elongated bowl white               |
| PF9403WH* | 1.28 gpf ADA bowl white                     |
| PF9412WHC | 1.28 gpf HET tank white w/chrome trip lever |
| PF9412RWH | 1.28 gpf RH tank white                      |
| PF9410WH  | 1.28 gpf tank for 10" rough white           |
| PF9414WH  | 1.28 gpf tank for 14" rough white           |
| PF9412UWH | 1.28 gpf lined tank white                   |

\* Indicates bowl meets ADA height requirements

### Available Parts

|             |                                  |
|-------------|----------------------------------|
| PF9412FLPK  | Fill valve assembly              |
| PF9412FRPK  | 3" Replacement flapper           |
| PF9412FVPK  | 3" Flush valve assembly          |
| PF9412TGPK  | Tank gasket w/bolts              |
| PF9412LIDWH | 12" Tank lid white               |
| PF9412TLPK  | Replacement chrome trip lever    |
| PF9412TLRCP | Replacement RH chrome trip lever |
| PF9410LIDWH | 10" tank lid white               |

### Optional Accessories

|          |                                |
|----------|--------------------------------|
| MB422BN  | FLUSH LEV F/ 9400 HET CLST BN  |
| MB422ORB | FLUSH LEV F/ 9400 HET CLST ORB |

### Warranty and Codes

This product comes complete with installation, operating, care and maintenance instructions. All PROFLO fixtures carry a 1-year limited warranty. In an effort to continually improve our products, we will make design changes from time to time. We reserve the right to ship newly designed product to fill any order unless we agree



# Edgehill Series

## High-Efficiency Toilet Vitreous China - 1.28gpf



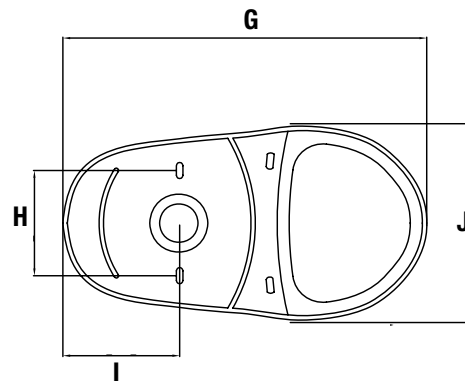
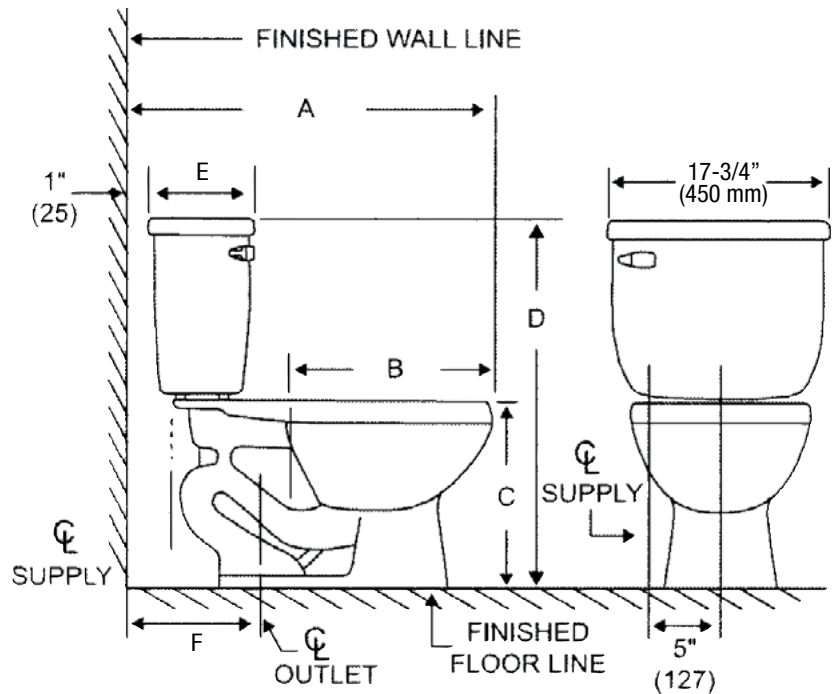
### Certifications

Meets strict flushing performance guidelines established by the EPA (Environmental Protection Agency) WaterSense program. Leadership in Energy and Environmental Design (LEED) Compliant. Los Angeles Department of Water and Power (LADWP) Compliant.

|          | PF9412/<br>PF9400 | PF9412/<br>PF9401 | PF9412/<br>PF9403 |
|----------|-------------------|-------------------|-------------------|
| <b>A</b> | 28"               | 29-1/2"           | 29-1/2"           |
| <b>B</b> | 16-1/2"           | 18-1/2"           | 18-1/2"           |
| <b>C</b> | 16-1/8"           | 16-1/8"           | 17"               |
| <b>D</b> | 30-1/8"           | 30-1/8"           | 31"               |
| <b>E</b> | 8-3/8"            | 8-3/8"            | 8-3/8"            |
| <b>F</b> | 12"               | 12"               | 12"               |

|          | PF9410/<br>PF9400 | PF9410/<br>PF9401 | PF9410/<br>PF9403 |
|----------|-------------------|-------------------|-------------------|
| <b>A</b> | 26-3/8"           | 28"               | 28"               |
| <b>E</b> | 6-3/4"            | 6-3/4"            | 6-3/4"            |
| <b>F</b> | 10"               | 10"               | 10"               |

|          | PF9414/<br>PF9400 | PF9414/<br>PF9401 | PF9414/<br>PF9403 |
|----------|-------------------|-------------------|-------------------|
| <b>A</b> | 29-1/2"           | 31-1/2"           | 31-1/2"           |
| <b>E</b> | 10"               | 10"               | 10"               |
| <b>F</b> | 14"               | 14"               | 14"               |



### Footprint

|          | RF       | EL       | ADA      |
|----------|----------|----------|----------|
|          | PF9400   | PF9401   | PF9403   |
| <b>G</b> | 19-1/2"  | 18-3/16" | 19-1/2"  |
| <b>H</b> | 5-13/16" | 5-13/16" | 5-15/16" |
| <b>I</b> | 5-15/16" | 5-1/2"   | 6"       |
| <b>J</b> | 9-5/8"   | 9-1/2"   | 10"      |

Note: All dimensions and specifications are nominal and may vary: Dimensions of 8" and greater have a tolerances of +3%. Dimensions less than 8" have a tolerances of +5%.

