

# Wye Type Vic-Strainer®

## STYLE 732

Style 732 Vic-Strainer provides straight through flow for lower pressure drop. Installs with two Victaulic couplings. Style 732 strainers range in size from 2 – 12”/50 – 300mm. All sizes are rated to 300 psi/2065 kPa maximum working pressure.

Durable 304 stainless perforated metal basket, 0.062" diameter holes for 2 – 3”/50 – 80mm sizes; 0.125" diameter holes for 4 – 12”/100 – 300mm sizes standard.

For information on the AGS Style W732 Wye Type Vic-Strainer in 14-18”/300-400mm sizes, request publication 20.19.



**WARNING**



**WARNING**

- Always depressurize and drain piping systems before attempting to install, remove, or adjust any Victaulic piping products.
- Failure to follow this instruction could result in serious personal injury, property damage, joint leakage, and/or joint failure.

**JOB OWNER**

System No. \_\_\_\_\_

Location \_\_\_\_\_

**CONTRACTOR**

Submitted By \_\_\_\_\_

Date \_\_\_\_\_

**ENGINEER**

Spec Sect \_\_\_\_\_ Para \_\_\_\_\_

Approved \_\_\_\_\_

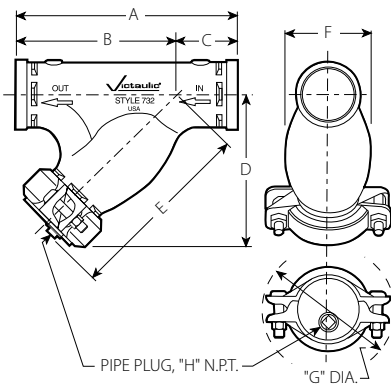
Date \_\_\_\_\_

# Wye Type Vic-Strainer®

STYLE 732



## DIMENSIONS



#Working pressure is maximum and will be governed by couplings used for installation and related system components. Maximum differential pressure from inlet to outlet must not exceed 10 psi/69 kPa.

\*Dimensions will vary depending upon coupling orientation.

Size		Max. Work Pressure psi kPa	Dimensions – Inches/mm								Approx. Wgt. Each	
Nominal Size Inches/mm	Actual Outside Diameter Inches/mm		End to End A	B	C	D	E	F	G*	H	Lbs. kg	
2 50	2.375 60.3	300 2065	9.75 248	7.00 178	2.75 70	7.54 192	8.54 217	3.50 89	5.25 133	0.50 13	10.0 4.5	
2½ 65	2.875 73.0	300 2065	10.75 273	7.75 197	3.00 76	8.32 211	9.32 237	4.13 105	5.81 148	0.50 13	14.0 6.4	
76.1 mm	3.000 76.1	300 2065	10.75 273	7.75 197	3.00 76	8.32 211	9.32 237	4.13 105	5.81 148	0.50 13	14.0 6.4	
3 80	3.500 88.9	300 2065	11.75 299	8.50 216	3.25 83	9.08 231	10.14 258	4.75 121	6.63 168	0.75 19	20.0 9.1	
4 100	4.500 114.3	300 2065	14.25 362	10.50 267	3.75 95	11.06 281	12.36 314	6.25 159	7.94 202	1.00 25	32.0 14.5	
5 125	5.563 141.3	300 2065	16.50 419	12.50 318	4.00 102	13.00 330	14.36 365	7.88 200	9.50 241	1.00 25	50.0 22.7	
6 150	6.625 168.3	300 2065	18.50 470	14.00 356	4.50 114	14.44 367	16.06 408	9.25 235	10.50 267	1.25 32	72.0 32.7	
165.1 mm	6.500 165.1	300 2065	18.50 470	14.00 356	4.50 114	14.44 367	16.06 408	9.25 235	10.50 267	1.25 32	72.0 32.7	
8 200	8.625 219.1	300 2065	24.00 610	18.00 457	6.00 152	18.38 467	20.50 521	12.38 315	13.19 335	1.50 38	125.0 56.7	
10 250	10.750 273.0	300 2065	27.00 686	21.00 533	6.00 152	22.00 559	23.82 605	14.25 362	15.92 404	2.00 51	205.0 93.0	
12 300	12.750 323.9	300 2065	30.00 762	24.50 622	5.50 140	24.75 629	27.37 695	17.00 432	18.23 463	2.00 51	280.0 127.0	

## MATERIAL SPECIFICATIONS

**Body, Coupling, End Cap:** Ductile iron conforming to ASTM A-395, grade 65-45-15, and ASTM A-536, grade 65-45-12.

**Coating:** Orange enamel.

**Basket:** Stainless Steel, Type 304, perforated metal.

- 2 – 3"/50 – 80mm: 0.062"/1.6mm diameter perforations on 0.09"/2.3mm centers, 41% open area.
- 4 – 12"/100 – 300mm: 0.125"/3.2mm diameter perforations on 0.19"/4.8mm centers, 40% open area.

**Gasket Grade:** (specify choice\*)†

• **Grade "E" EPDM**

EPDM (Green color code). Temperature range –30°F to +230°F/–34°C to +110°C. Recommended for cold and hot water service within the specified temperature range plus a variety of dilute acids, oil-free air and many chemical services. UL classified in accordance with ANSI/NSF 61 for cold +86°F/+30°C and hot +180°F/+82°C potable water service. NOT RECOMMENDED FOR PETROLEUM SERVICES.

# Wye Type Vic-Strainer®

STYLE 732



## MATERIAL SPECIFICATIONS

- **Grade "T" nitrile**

Nitrile (Orange color code). Temperature range -20°F to +180°F/-29°C to +82°C.

Recommended for petroleum products, air with oil vapors, vegetable and mineral oils within the specified temperature range. Not recommended for hot water services over +150°F/+66°C or for hot dry air over +140°F/+60°C.

\*Services listed are General Service Recommendations only. It should be noted that there are services for which these gaskets are not recommended. Reference should always be made to the latest Victaulic Gasket Selection Guide for specific gasket service recommendations and for a listing of services which are not recommended.

† Supplemental lubricant is recommended for services installed at or continuously operating below 0°F/-18°C.

**Bolts/Nuts:** Heat treated carbon steel zinc electroplated to ASTM B-633, track head conforming to physical properties of ASTM A-183 minimum tensile 110,000 psi/758340 kPa.

**Couplings:** Style 732 Vic-Strainer is supplied with a Style 07 Zero-Flex® coupling for cleaning access.

**Blow Down Port:** An NPT tap is provided in the cap for a discharge valve connection allowing solids to be "blown down" while the system is in service. Strainer supplied with cap plugged.

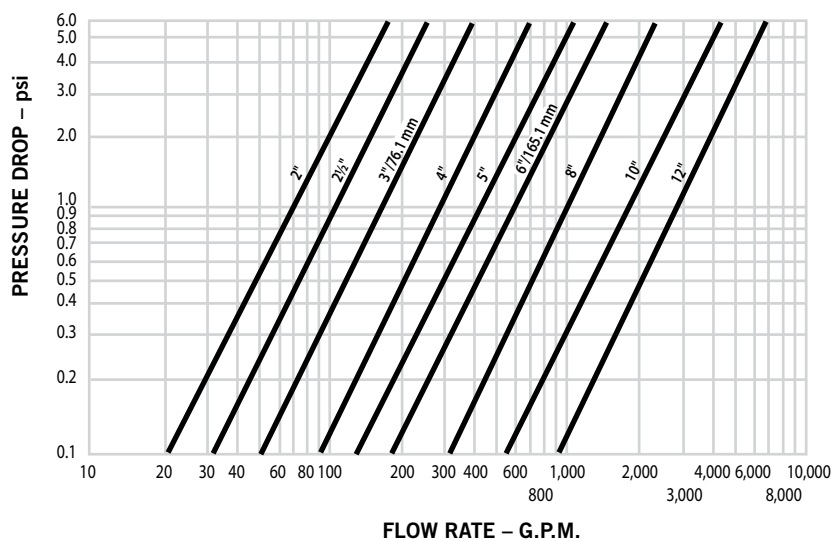
**Other:** Special requirements can often be met. Contact Victaulic with specific requirements for recommendations, availability and delivery.

## PERFORMANCE

### FLOW CHARACTERISTICS

Flow characteristics are based on standard, clean baskets. Flow may vary from these figures.

The chart below expresses the flow of water at 65°F/18°C.



# Wye Type Vic-Strainer®

STYLE 732



**FLOW RATE**

C<sub>v</sub> values for flow of water at +60°F/+16°C are shown in tables below.

**Formulas for C<sub>v</sub> values:**

$$\Delta P = \frac{Q^2}{C_v^2}$$

$$Q = C_v \times \sqrt{\Delta P}$$

**Where:**

Q = Flow (GPM)

ΔP = Pressure Drop (psi)

C<sub>v</sub> = Flow Coefficient

Size		C <sub>v</sub>	Size		C <sub>v</sub>
Nominal Size Inches/mm	Actual Outside Diameter Inches/mm		Nominal Size Inches/mm	Actual Outside Diameter Inches/mm	
2 50	2.375 60.3	72	6 150	6.625 168.3	597
2½ 65	2.875 73.0	111	165.1 mm	6.500 165.1	597
76.1 mm	3.000 76.1	111	8 200	8.625 219.1	1000
3 80	3.500 88.9	164	10 250	10.750 273.0	1800
4 100	4.500 114.3	285	12 300	12.750 323.9	2800
5 125	5.563 141.3	410			

**WARRANTY**

Refer to the Warranty section of the current Price List or contact Victaulic for details.

**NOTE**

This product shall be manufactured by Victaulic or to Victaulic specifications. All products to be installed in accordance with current Victaulic installation/assembly instructions. Victaulic reserves the right to change product specifications, designs and standard equipment without notice and without incurring obligations.

**US & WORLD HEADQUARTERS**

P.O. Box 31  
Easton, PA 18044-0031 USA  
4901 Kesslersville Road  
Easton, PA 18040 USA

1-800-PICK-VIC (1-800-742-5842)  
1-610-559-3300  
1-610-250-8817 (fax)  
pickvic@victaulic.com

[www.victaulic.com](http://www.victaulic.com)

**CANADA**

905-884-7444  
905-884-9774 (fax)  
viccanada@victaulic.com

**EUROPE**

32-9-381-15-00  
32-9-380-44-38 (fax)  
viceuro@victaulic.be

**UNITED KINGDOM**

44 (0) 1438310690  
44 (0) 1438310699 (fax)  
viceuro@victaulic.be

**CENTRAL AND SOUTH AMERICA**

1-610-559-3300  
1-610-559-3608 (fax)  
vical@victaulic.com

**ASIA PACIFIC**

86-21-54253300  
86-21-54253671 (fax)  
vicap@victaulic.com

**MIDDLE EAST**

971-4-883-88-70  
971-4-883-88-60 (fax)

