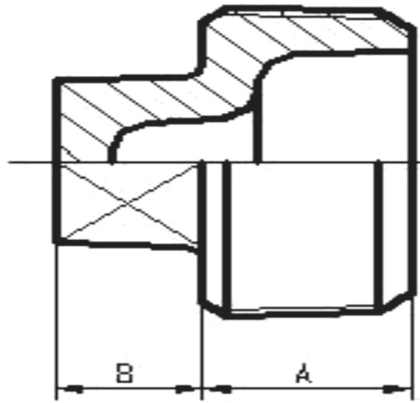
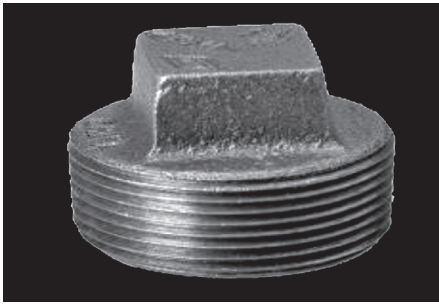


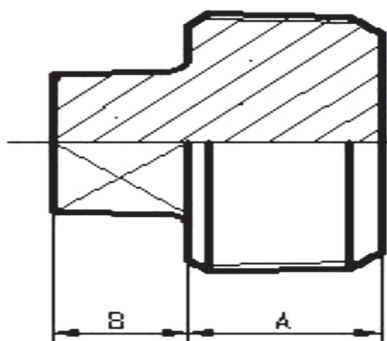
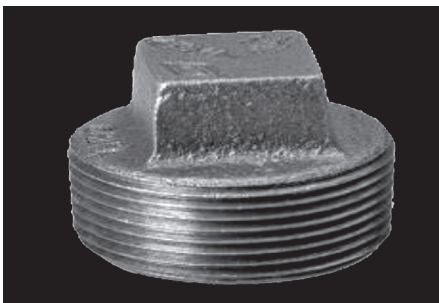
Malleable Iron Fittings

Plug - Cored



Size (in.)	Part Number	
	Black	Galv
1/8	IBCPA	
1/4	IBCPB	
1/2	IBCPD	IGCPD
3/4	IBCPF	IGCPF
1	IBCPG	IGCPG
1-1/4	IBCPH	IGCPH
1-1/2	IBCPJ	IGCPJ
2	IBCPK	IGCPK
2-1/2	IB CPL	IG CPL
3	IBCPM	IGCPM
4	IBCPP	IGCPP
5	IBPCS	
6	IBCPU	IGCPU

Plug - Solid



Size (in.)	Part Number	
	Black	Galv
1/8	IBPA	IGPA
1/4	IBPB	IGPB
3/8	IBPC	IGPC
1/2	IBPD	IGPD
3/4	IBPF	IGPF
1	IBPG	