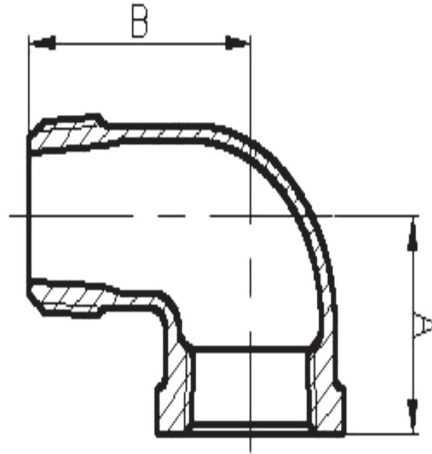


Malleable Iron Fittings

90° Street Elbow



Size (in.)	Part Number	
	Black	Galv
1/8	IBS9A	IGS9A
1/4	IBS9B	IGS9B
3/8	IBS9C	IGS9C
1/2	IBS9D	IGS9D
3/4	IBS9F	IGS9F
1	IBS9G	IGS9G
1-1/4	IBS9H	IGS9H
1-1/2	IBS9J	IGS9J
2	IBS9K	IGS9K
2-1/2	IBS9L	IGS9L
3	IBS9M	IGS9M