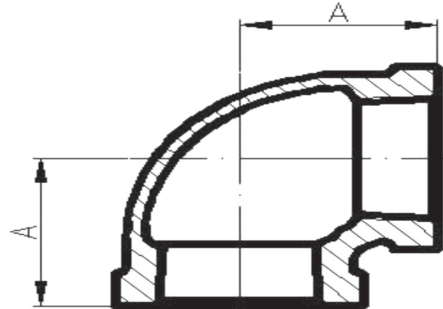


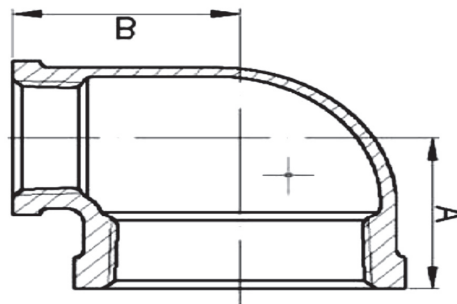
Malleable Iron Fittings

90° Elbow



Size (in.)	Part Number	
	Black	Galv
1/8	IB9A	IG9A
1/4	IB9B	IG9B
3/8	IB9C	IG9C
1/2	IB9D	IG9D
3/4	IB9F	IG9F
1	IB9G	IG9G
1-1/4	IB9H	IG9H
1-1/2	IB9J	IG9J
2	IB9K	IG9K
2-1/2	IB9L	IG9L
3	IB9M	IG9M
4	IB9P	IG9P
5	IB9S	
6	IB9U	IG9U

90° Reducing Elbow



Size (in.)	Part Number	
	Black	Galv
3/8X1/4	IB9CB	IG9CB
1/2X1/4	IB9DB	
1/2X3/8	IB9DC	IG9DC
3/4X3/8	IB9FC	IG9FC
3/4X1/2	IB9FD	IG9FD
1X1/2	IB9GD	IG9GD
1X3/4	IB9GF	IG9GF
1-1/4X1/2	IB9HD	IG9HD
1-1/4X3/4	IB9HF	IG9HF
1-1/4X1	IB9HG	IG9HG
1-1/2X3/4	IB9JF	IG9JF
1-1/2X1	IB9JG	IG9JG
1-1/2X1-1/4	IB9JH	IG9JH
2X3/4	IB9KF	IG9KF
2X1	IB9KG	IG9KG
2X1-1/4	IB9KH	IG9KH
2X1-1/2	IB9KJ	IG9KJ
2-1/2X1-1/2	IB9LJ	
2-1/2X2	IB9LK	IG9LK
3X2	IB9MK	IG9MK