



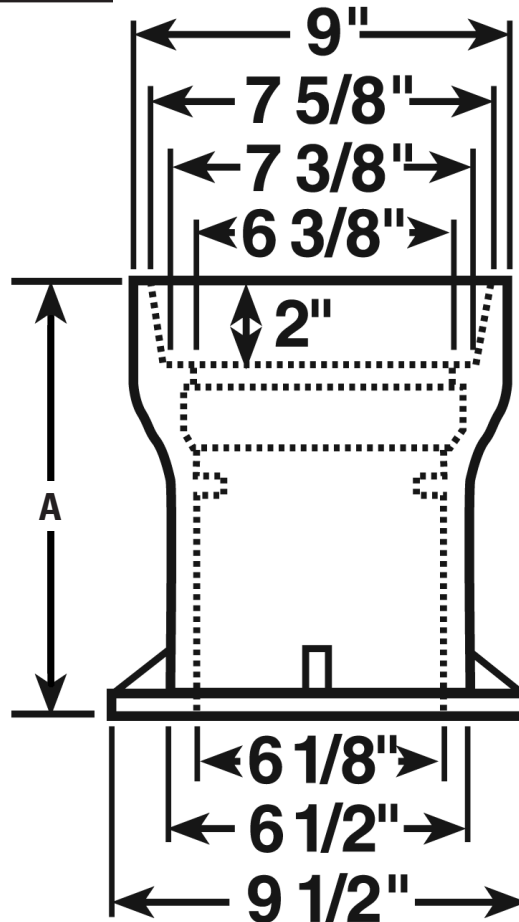
CAST IRON SLIP VALVE BOX - TOP SECTION

Product Features

All valve boxes and related parts shall be coated on all surfaces with an asphaltic varnish of 2mm in thickness. For 4" through 12" valves. 5-1/4" shaft. Slip type.

Model Numbers

		A
IVBATS10	10" Slip Valve Box Top	10"
IVBATS16	16" Slip Valve Box Top	16"
IVBATS26	26" Slip Valve Box Top	26"



Codes & Approvals

Valve boxes conform to ASTM A-48, Grade 30B; Asphaltic varnish conforms to AWWA C-104.