

Product information presented here reflects conditions at time of publication. Consult factory regarding discrepancies or inconsistencies.

TECHNICAL DATA SHEET



Battery Backup Pedestal Sump Pumps

PRODUCT SPECIFICATIONS

- Heavy duty 12V motor and positive contact float switch
- Discharges water as fast as many 1/3 HP primary pumps
- Minimum pit requirements: 18" x 22" (46 x 56 cm)

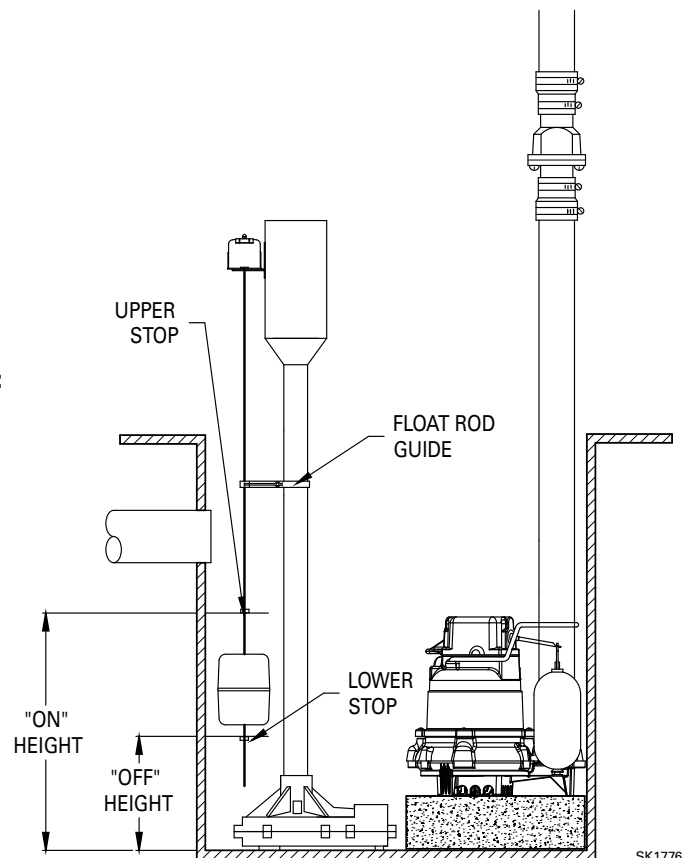
The complete Aquanot[®] II system includes the pump, the electronic charger and a 12 V pump alarm. (You may purchase the deep-cycle battery and battery box separately.)

Aquanot[®] II comes with these electronic charger features:

- 28.0 amp battery charger
- LED status indicators
- Automatic battery recharging
- Microprocessor controlled
- 7.0 amp AC input
- 12 V DC output

Aquanot[®] Battery:

- Size 31 "Wet" No. 10-0761 (69 lbs / 31 kg), 200-minute reserve capacity
- Size 27 "AGM" No. 10-1450 (66 lbs / 30 kg), 175-minute reserve capacity
- Minimum battery requirements deep cycle, size 27, 175-minute reserve capacity

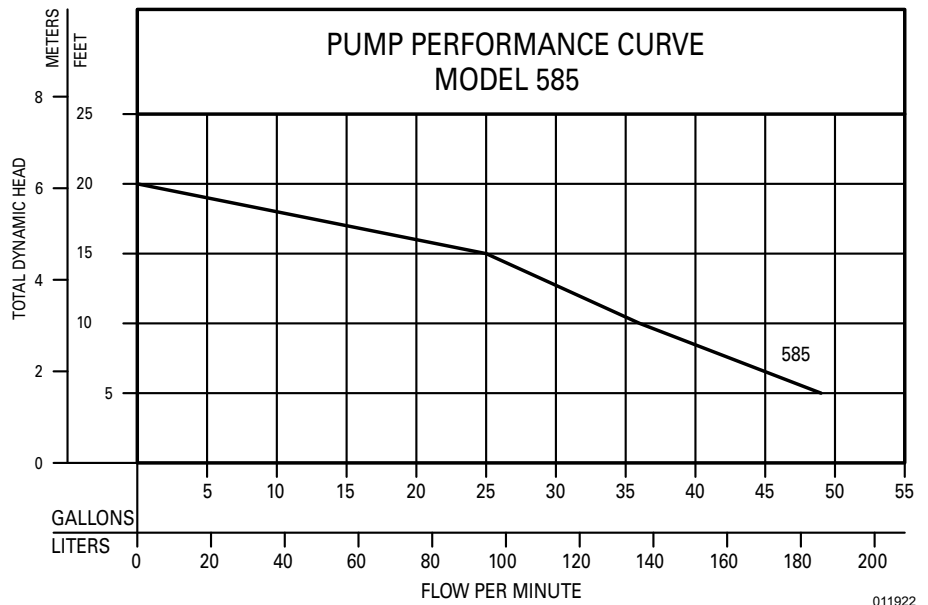


NOTE: This product is not intended for use as a primary water removal unit.



TOTAL DYNAMIC HEAD FLOW PER MINUTE

MODEL		585	
Feet	Meters	Gal.	Liters
5	1.5	49	186
10	3.0	36	136
15	4.6	25	95
Shut-off Head:		20 ft.(6.1m)	

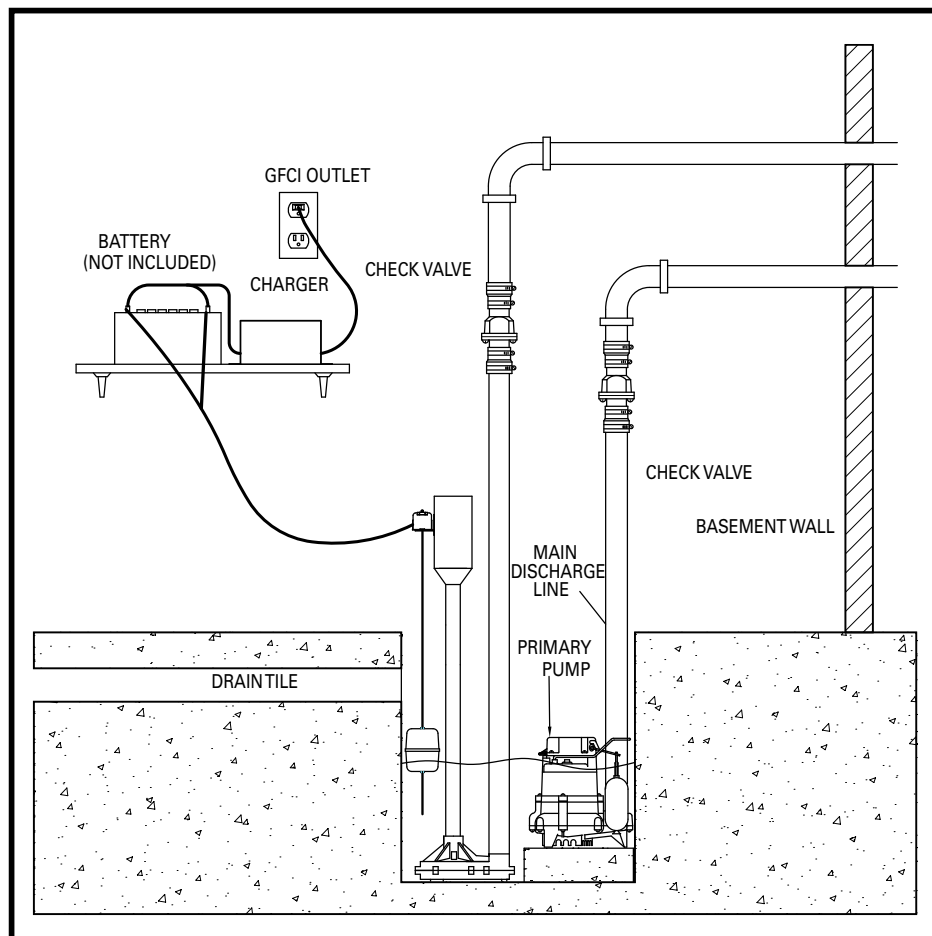


011922



All installation of controls, protection devices and wiring should be done by a qualified licensed electrician. All electrical and safety codes should be followed including the most recent National Electrical Code (NEC) and the Occupational Safety and Health Act (OSHA).

Aquanot® II (Model 585)



SK1781