

FIGURE 7005E HANGERS



STANDARD DUTY ADJUSTABLE CLEVIS HANGERS

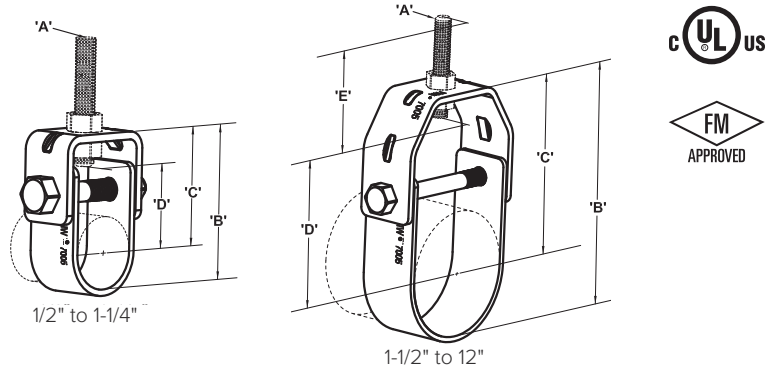
FEATURES

- Finish - Epoxy plated
- Color - Zinc
- UL/FM Approved - sizes 2-1/2" to 8"
- Hanger Body - ASTM A240

PRODUCT SPECIFICATIONS

Standards

- Design - MSS SP-58, Type 1
- Federal Specification - WW-H-171, Type 1



Note: A - Rod size (hanger rod and nuts not included), B - Bottom of pipe to top of hanger, C - Center of pipe to top of hanger, D - Rod take out (center of pipe to bottom of hanger rod), E - Minimum thread length of hanger rod, F - Adjustment, top of cross bolt to bottom of hanger rod nut inside hanger

DIMENSIONS

| Catalog Number | Pipe Size | | A Rod Size | B | | C | | D | |
|----------------|-----------|-------|---------------|--------|-----|--------|-----|---------|-------|
| | in. | mm | | in. | mm | in. | mm | in. | mm |
| FNW7005EP0050 | 1/2 | 21.3 | 3/8 - 16 | 2 | 50 | 1-1/2 | 39 | 3/8 | 9.5 |
| FNW7005EP0075 | 3/4 | 26.7 | 3/8 - 16 | 2-2/7 | 58 | 1-3/4 | 44 | 5/8 | 15.3 |
| FNW7005EP0100 | 1 | 33.4 | 3/8 - 16 | 2-2/3 | 68 | 2 | 51 | 7/8 | 22.5 |
| FNW7005EP0125 | 1-1/4 | 42.2 | 3/8 - 16 | 3-1/3 | 84 | 2-4/9 | 62 | 1-1/4 | 31.90 |
| FNW7005EP0150 | 1-1/2 | 48.3 | 3/8 - 16 | 3-6/7 | 98 | 2-7/8 | 73 | 1-3/4 | 44.9 |
| FNW7005EP0200 | 2 | 60.3 | 3/8 - 16 | 4-2/5 | 112 | 3-1/5 | 81 | 1-15/16 | 49.4 |
| FNW7005EP0250 | 2-1/2 | 73.0 | 1/2 - 13 | 5-1/8 | 130 | 3-2/3 | 93 | 2-5/16 | 57.9 |
| FNW7005EP0300 | 3 | 88.9 | 1/2 - 13 | 6 | 151 | 4-1/7 | 105 | 2-3/4 | 69.2 |
| FNW7005EP0350 | 3-1/2 | 101.6 | 1/2 - 13 | 6-1/2 | 166 | 4-1/2 | 114 | 3-1/16 | 78.2 |
| FNW7005EP0400 | 4 | 114.3 | 5/8 - 11 | 7-1/2 | 190 | 5-1/6 | 131 | 3-11/16 | 93.6 |
| FNW7005EP0500 | 5 | 141.3 | 5/8 - 11 | 9-1/5 | 234 | 6-3/8 | 162 | 4-5/8 | 117.0 |
| FNW7005EP0600 | 6 | 168.3 | 3/4 - 10 | 10-1/2 | 267 | 7-1/8 | 181 | 5-5/16 | 134.8 |
| FNW7005EP0800 | 8 | 219.1 | 3/4 - 10 | 13 | 328 | 8-1/2 | 216 | 6-1/2 | 164.7 |
| FNW7005EP1000 | 10 | 273.1 | 7/8 - 9 | 15-1/2 | 394 | 10 | 254 | 7-5/8 | 194.2 |
| FNW7005EP1200 | 12 | 323.9 | 7/8 - 9 | 18-5/8 | 473 | 12-1/8 | 308 | 9-3/4 | 247.6 |

| Catalog Number | Pipe Size | | E | | F | | Bolt Size | Design Load | | Weight Lbs. |
|----------------|-----------|-------|-------|------|--------|------|-------------|-------------|-------|----------------|
| | in. | mm | in. | mm | in. | mm | | Lbs. | kN | |
| FNW7005EP0050 | 1/2 | 21.3 | 2-1/2 | 63.5 | 7/16 | 11.1 | 1/4 - 20UNC | 610 | 2.71 | 0.12 |
| FNW7005EP0075 | 3/4 | 26.7 | 2-1/2 | 63.5 | 1/2 | 12.7 | 1/4 - 20UNC | 610 | 2.71 | 0.14 |
| FNW7005EP0100 | 1 | 33.4 | 2-1/2 | 63.5 | 5/8 | 15.9 | 1/4 - 20UNC | 610 | 2.71 | 0.16 |
| FNW7005EP0125 | 1-1/4 | 42.2 | 2-1/2 | 63.5 | 7/8 | 22.2 | 1/4 - 20UNC | 610 | 2.71 | 0.24 |
| FNW7005EP0150 | 1-1/2 | 48.3 | 2-1/2 | 63.5 | 1-3/16 | 30.2 | 1/4 - 20UNC | 610 | 2.71 | 0.25 |
| FNW7005EP0200 | 2 | 60.3 | 2-1/2 | 63.5 | 1-5/8 | 41.3 | 1/4 - 20UNC | 610 | 2.71 | 0.35 |
| FNW7005EP0250 | 2-1/2 | 73.0 | 2-1/2 | 63.5 | 2 | 50.8 | 3/8 - 16UNC | 1130 | 5.02 | 0.61 |
| FNW7005EP0300 | 3 | 88.9 | 2-1/2 | 63.5 | 2 | 50.8 | 3/8 - 16UNC | 1130 | 5.02 | 0.71 |
| FNW7005EP0350 | 3-1/2 | 101.6 | 2-1/2 | 63.5 | 2 | 50.8 | 3/8 - 16UNC | 1130 | 5.02 | 0.79 |
| FNW7005EP0400 | 4 | 114.3 | 2-1/2 | 63.5 | 2 | 50.8 | 3/8 - 16UNC | 1430 | 6.36 | 1.00 |
| FNW7005EP0500 | 5 | 141.3 | 2-1/2 | 63.5 | 2 | 50.8 | 1/2 - 13UNC | 1430 | 6.36 | 1.67 |
| FNW7005EP0600 | 6 | 168.3 | 3 | 76.2 | 2 | 50.8 | 1/2 - 13UNC | 1940 | 8.62 | 3.05 |
| FNW7005EP0800 | 8 | 219.1 | 3-1/2 | 88.9 | 2-5/16 | 58.7 | 5/8 - 11UNC | 2000 | 8.89 | 4.11 |
| FNW7005EP1000 | 10 | 273.1 | 3-1/2 | 88.9 | 2-5/16 | 58.7 | 3/4 - 10UNC | 3600 | 16.00 | 6.75 |
| FNW7005EP1200 | 12 | 323.9 | 3-1/2 | 88.9 | 2-5/16 | 66.7 | 3/4 - 10UNC | 3800 | 16.89 | 7.88 |

FIGURE 7005E HANGERS



STANDARD DUTY LARGE DIAMETER ADJUSTABLE CLEVIS HANGER

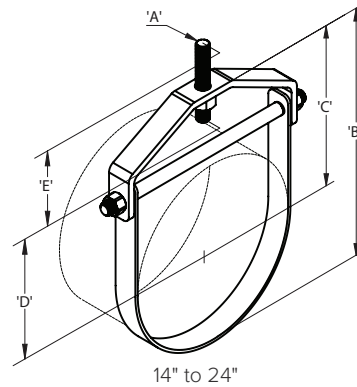
FEATURES

- Finish - Epoxy plated
- Color - Zinc

PRODUCT SPECIFICATIONS

Standards

- Design - MSS SP-58, Type 1
- Federal Specification - WW-H-171, Type 1



Note: A - Rod size (hanger rod and nuts not included), B - Bottom of pipe to top of hanger
 C - Center of pipe to top of hanger, D - Rod take out (center of pipe to bottom of hanger rod),
 E - Minimum thread length of hanger rod, F - Adjustment, top of cross bolt to bottom of hanger
 rod nut inside hanger

DIMENSIONS

| Catalog Number | Pipe Size | | A Rod Size | B | | C | | D | |
|----------------|-----------|-------|---------------|--------|-------|--------|-------|----------|-------|
| | in. | mm | | in. | mm | in. | mm | in. | mm |
| FNW7005EP1400 | 14 | 355.6 | 1 - 8 | 21-1/6 | 537.5 | 13-5/8 | 347.2 | 11/3/16 | 281.6 |
| FNW7005EP1600 | 16 | 406.4 | 1 - 8 | 23-1/2 | 596.5 | 14-3/4 | 380.8 | 12-7/8 | 327.0 |
| FNW7005EP1800 | 18 | 457.2 | 1 - 8 | 27 | 683.5 | 17-3/8 | 442.4 | 13-15/16 | 354.0 |
| FNW7005EP2000 | 20 | 508.0 | 1-1/4 - 7 | 29-2/3 | 754.0 | 19 | 486.0 | 17/7/16 | 442.9 |
| FNW7005EP2400 | 24 | 609.6 | 1-1/4 - 7 | 33-7/9 | 858.0 | 21-1/8 | 539.2 | 20" | 485.5 |

| Catalog Number | Pipe Size | | E | | F | | Bolt Size | Design Load | | Weight |
|----------------|-----------|-------|-------|-------|---------|-------|--------------|-------------|-------|--------|
| | in. | mm | in. | mm | in. | mm | | Lbs. | kN | Lbs. |
| FNW7005EP1400 | 14 | 355.6 | 4 | 101.6 | 2-7/8 | 73.0 | 1 - 8UNC | 4200 | 18.67 | 18.15 |
| FNW7005EP1600 | 16 | 406.4 | 4 | 101.6 | 3-3/8 | 85.7 | 1 - 8UNC | 4600 | 20.44 | 23.84 |
| FNW7005EP1800 | 18 | 457.2 | 4-1/2 | 114.3 | 3-3/8 | 85.7 | 1 - 8UNC | 4800 | 21.33 | 26.79 |
| FNW7005EP2000 | 20 | 508.0 | 5 | 127.0 | 4/13/16 | 122.2 | 1-1/4 - 7UNC | 4800 | 21.33 | 43.53 |
| FNW7005EP2400 | 24 | 609.6 | 5 | 127.0 | 5-1/4 | 133.3 | 1-1/4 - 7UNC | 4800 | 21.33 | 50.39 |