



SPECIFICATION SHEET

DRAC13 Series

AIR CONDITIONERS

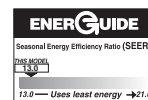


COOLING EFFICIENCY:
13 SEER/11 EER

AVAILABLE SIZES:
1.5-5 TONS [5.28-17.6 KW]

PRODUCT FEATURES

- Outdoor air conditioner designed for ground level or rooftop installations. These units offer comfort and dependability for single, multi-family and light commercial applications.
- Painted louvered steel cabinet
- Easily accessible control box
- Condenser coils constructed with copper tubing and enhanced aluminum fins.
- Grille/Motor mount for quiet fan operation
- Filter Drier (shipped – not installed)



“Proper sizing and installation of equipment is critical to achieve optimal performance. Split system air conditioners and heat pumps must be matched with appropriate coil components to meet Energy Star. Ask your Contractor for details or visit www.energystar.gov.”

DURASTAR.COM



TABLE OF CONTENTS

Model Number Identification	3
Available SKUs	3
Electrical & Physical Data	4
Weighted Sound Power	5
Unit Dimensions	6
Refrigerant Line Size Information	7-10
Performance Data	11
Limited Warranty	12



Air Conditioners*

DR	AC	A	13	A	24	J	1	N	A
Brand	Product Category	SEER	Major Series*	Capacity BTU/HR	Voltage	Type	Controls	Minor Series**	
Durastar	AC - Air Conditioners	A - 410A	13 - 13 SEER	A - 1st Design	18 - 18,000 [5.28 kW] 24 - 24,000 [7.03 kW] 30 - 30,000 [8.79 kW] 36 - 36,000 [10.55 kW] 42 - 42,000 [12.31 kW] 48 - 48,000 [14.07 kW] 60 - 60,000 [17.58 kW]	J - 1ph, 208-230/60	1 - Single-stage	N - Non-Communicating	A - 1st Design B - 2nd Revision

[] Designates Metric Conversions

Available SKUs

Available Models
DRAC13A18AJ1NA
DRAC13A24AJ1NA
DRAC13A30BJ1NA
DRAC13A36AJ1NA
DRAC13A42AJ1NA
DRAC13A48BJ1NA
DRAC13A60BJ1NA



Electrical and Physical Data

Model Number DRAC13	ELECTRICAL							PHYSICAL					
	Phase Frequency (Hz) Voltage (Volts)	Compressor		Fan Motor Full Load Amperes (FLA)	Minimum Circuit Ampacity Amperes	Fuse or HACR Circuit Breaker		Outdoor Coil			Refrig. Per Circuit Oz. [g]	Weight	
		Rated Load Amperes (RLA)	Locked Rotor Amperes (LRA)			Minimum Amperes	Maximum Amperes	Face Area Sq. Ft. [m ²]	No. Rows	CFM [L/s]		Net Lbs. [kg]	Shipping Lbs. [kg]
18	1-60-208/230	9/9	46	0.6	12/12	15/15	20/20	7.13 [0.66]	1	1415 [668]	67.4 [1911]	120 [54.4]	128 [54.4]
24	1-60-208/230	13.5/13.5	58.3	0.6	18/18	25/25	30/30	8.43 [0.78]	1	1665 [786]	67.8 [1922]	121 [54.9]	129 [54.9]
30B	1-60-208/230	12.8/12.8	64	0.7	17/17	20/20	25/25	13.72 [1.27]	1	2121 [1001]	98.0 [2790]	138 [62.6]	145 [65.8]
36	1-60-208/230	16.7/16.7	79	0.8	22/22	30/30	35/35	13.72 [1.27]	1	2540 [1199]	90.6 [2569]	149 [67.6]	157 [67.6]
42	1-60-208/230	17.9/17.9	112	1.2	24/24	30/30	40/40	13.72 [1.27]	1	2540 [1199]	106.0 [3005]	149 [67.6]	157 [67.6]
48B	1-60-208/230	19.9/19.9	109	1.0	26/26	35/35	45/45	21.85 [2.03]	1	3571 [1685]	146.0 [4139]	205 [93.0]	225 [102.1]
60B	1-60-208/230	26.4/26.4	134	1.7	35/35	45/45	60/60	21.85 [2.03]	2	3360 [1560]	228.0 [6464]	254 [115.2]	274 [124.3]

NOTE: Factory Refrigerant Charge includes refrigerant for 15 feet of standard line set.

[] Designates Metric Conversions



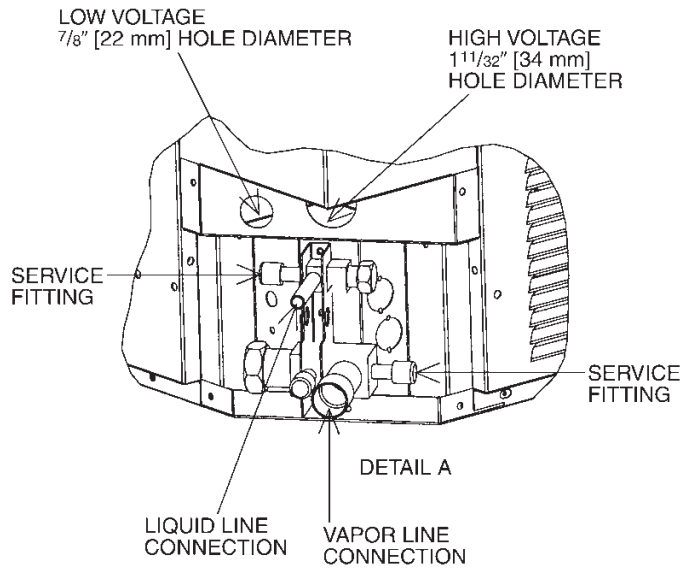
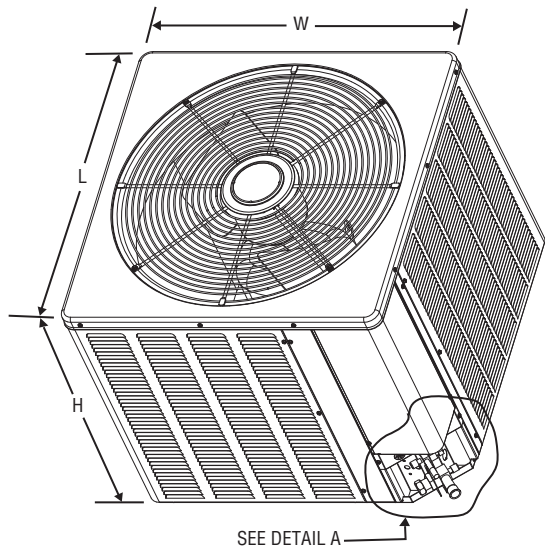
Weighted Sound Power Level (dBA)

Model	Standard Rating (dBA)
DRAC1318A	76
DRAC1324A	74
DRAC1330B	73
DRAC1336A	72
DRAC1342A	78
DRAC1348B	75
DRAC1360B	76

Unit Dimensions

Model No. DRAC13	Unit Dimensions		
	Width "W" Inches	Length "L" Inches	Height "H" Inches
18, 24	23 ⁵ / ₈ [600]	23 ⁵ / ₈ [600]	24 ¹ / ₄ [616]
30, 36, 42	27 ⁵ / ₈ [702]	27 ⁵ / ₈ [702]	24 ¹ / ₄ [616]
48, 60	31 ⁵ / ₈ [803]	31 ⁵ / ₈ [803]	35 ¹⁵ / ₁₆ [913]

[] Designates Metric Conversions





13 - 14 SEER Single-Stage Air-Conditioners															
Unit Size	Allowable Liquid Line Size	Allowable Suction Line Size	Equivalent Length (Feet)												
			Maximum Vertical Rise (Outdoor Unit Below Indoor Unit) * / Capacity Multiplier												
			< 25	26-50	51-75	76-100	101-125	126-150	151-175	176-200	201-225	226-250			
Apply Long Line Guidelines if Linear Line Length Exceeds Those Shown Below (Feet)			DRAC13	DRAC14 A/B	DRAC14 W	25 / 1.00	50 / 0.99	62 / 0.98	43 / 0.98	24 / 0.97	5 / 0.97	N/R	N/R	N/R	N/R
1.5 Ton **SEE NOTE 3	1/4"	5/8"	N/A	N/A	N/A	25 / 1.00	50 / 0.99	62 / 0.98	43 / 0.98	24 / 0.97	5 / 0.97	N/R	N/R	N/R	N/R
	5/16"	5/8"	225	188	190	25 / 1.00	50 / 0.99	75 / 0.98	98 / 0.98	93 / 0.97	88 / 0.97	83 / 0.96	78 / 0.96	73 / 0.95	68 / 0.94
	3/8"	5/8"	150	125	127	25 / 1.00	50 / 0.99	75 / 0.98	100 / 0.98	100 / 0.97	100 / 0.97	100 / 0.96	100 / 0.96	100 / 0.95	100 / 0.94
	1/4"	3/4***	N/A	N/A	N/A	25 / 1.00	50 / 1.00	62 / 0.99	43 / 0.99	24 / 0.99	5 / 0.99	N/R	N/R	N/R	N/R
	5/16"	3/4***	225	188	190	25 / 1.00	50 / 1.00	75 / 0.99	98 / 0.99	93 / 0.99	88 / 0.99	83 / 0.99	78 / 0.98	73 / 0.98	68 / 0.98
	3/8"	3/4***	150	125	127	25 / 1.00	50 / 1.00	75 / 1.00	100 / 0.99	100 / 0.99	100 / 0.99	100 / 0.99	100 / 0.99	100 / 0.98	100 / 0.98
2 Ton	1/4"	5/8"	N/A	N/A	N/A	25 / 0.99	50 / 0.98	21 / 0.97	N/R	N/R	N/R	N/R	N/R	N/R	N/R
	5/16"	5/8"	223	170	180	25 / 0.99	50 / 0.98	75 / 0.97	87 / 0.96	77 / 0.95	69 / 0.94	61 / 0.93	53 / 0.92	45 / 0.91	37 / 0.90
	3/8"	5/8"	148	113	120	25 / 0.99	50 / 0.98	75 / 0.97	100 / 0.96	100 / 0.95	100 / 0.94	98 / 0.93	95 / 0.92	92 / 0.91	89 / 0.90
	1/4"	3/4"	N/A	N/A	N/A	25 / 1.00	50 / 1.00	21 / 0.99	N/R	N/R	N/R	N/R	N/R	N/R	N/R
	5/16"	3/4"	223	170	180	25 / 1.00	50 / 1.00	75 / 0.99	87 / 0.99	77 / 0.98	69 / 0.98	61 / 0.98	53 / 0.97	45 / 0.97	37 / 0.96
	3/8"	3/4"	148	113	120	25 / 1.00	50 / 1.00	75 / 0.99	100 / 0.99	100 / 0.98	100 / 0.98	98 / 0.98	95 / 0.97	93 / 0.97	90 / 0.96
2.5 Ton	5/16"	5/8"	148	148	113	25 / 0.99	50 / 0.98	75 / 0.96	70 / 0.94	59 / 0.93	48 / 0.91	36 / 0.90	N/R	N/R	N/R
	3/8"	5/8"	98	98	75	25 / 0.99	50 / 0.98	75 / 0.96	100 / 0.94	98 / 0.93	94 / 0.91	90 / 0.90	N/R	N/R	N/R
	5/16"	3/4"	148	148	113	25 / 1.00	50 / 0.99	75 / 0.99	70 / 0.98	59 / 0.98	48 / 0.97	36 / 0.96	25 / 0.96	13 / 0.95	N/R
	3/8"	3/4"	98	98	75	25 / 1.00	50 / 0.99	75 / 0.99	100 / 0.98	98 / 0.98	94 / 0.97	90 / 0.96	86 / 0.96	82 / 0.95	78 / 0.95
	5/16"	5/8"	N/A	88	73	25 / 0.99	50 / 0.97	66 / 0.94	49 / 0.92	32 / 0.90	N/R	N/R	N/R	N/R	N/R
	3/8"	5/8"	110	58	48	25 / 0.99	50 / 0.97	75 / 0.94	95 / 0.92	89 / 0.90	N/R	N/R	N/R	N/R	N/R
3 Ton	5/16"	3/4"	N/A	88	73	25 / 1.00	50 / 0.99	66 / 0.98	49 / 0.98	32 / 0.97	15 / 0.96	N/R	N/R	N/R	N/R
	3/8"	3/4"	110	58	48	25 / 1.00	50 / 0.99	75 / 0.98	95 / 0.98	89 / 0.97	84 / 0.96	78 / 0.95	72 / 0.94	67 / 0.93	61 / 0.93
	1/2"	3/4"	55	29	24	25 / 1.00	50 / 0.99	75 / 0.98	100 / 0.98	100 / 0.97	100 / 0.96	100 / 0.95	100 / 0.94	100 / 0.93	100 / 0.93
	5/16"	7/8"	N/A	88	73	25 / 1.00	50 / 1.00	66 / 1.00	49 / 0.99	32 / 0.99	15 / 0.99	N/R	N/R	N/R	N/R
	3/8"	7/8"	110	58	48	25 / 1.00	50 / 1.00	75 / 1.00	95 / 0.99	89 / 0.99	84 / 0.99	78 / 0.98	72 / 0.98	67 / 0.98	61 / 0.97
	1/2"	7/8"	55	29	24	25 / 1.00	50 / 1.00	75 / 1.00	100 / 0.99	100 / 0.99	100 / 0.99	100 / 0.98	100 / 0.98	100 / 0.98	100 / 0.97
3.5 Ton	3/8"	3/4"	148	112	100	25 / 0.99	50 / 0.98	75 / 0.97	88 / 0.96	80 / 0.95	72 / 0.94	65 / 0.92	57 / 0.91	49 / 0.90	N/R
	1/2"	3/4"	74	56	50	25 / 0.99	50 / 0.98	75 / 0.97	100 / 0.96	100 / 0.95	100 / 0.94	100 / 0.92	100 / 0.91	100 / 0.90	N/R
	3/8"	7/8"	148	112	100	25 / 1.00	50 / 1.00	75 / 0.99	88 / 0.99	80 / 0.99	72 / 0.98	65 / 0.97	57 / 0.97	49 / 0.96	42 / 0.96
	1/2"	7/8"	74	56	50	25 / 1.00	50 / 1.00	75 / 0.99	100 / 0.99	100 / 0.99	100 / 0.98	100 / 0.97	100 / 0.97	100 / 0.96	100 / 0.96

- NOTES:
 1. Do not exceed 200 ft linear line length.
 2. Do not exceed 100 ft vertical separation if outdoor unit is above indoor unit.
 3. **3/4" suction line should only be used for 1.5 ton systems if outdoor unit is below or at same level as indoor to assure proper oil return.
 4. Always use the smallest liquid line allowable to minimize refrigerant charge.
 5. Applications shaded in light gray indicate capacity multipliers between 0.90 and 0.96 which are not recommended, but are allowed.
 6. Applications shaded in dark gray are not recommended due to excessive liquid or suction pressure drop.



13 - 14 SEER Single-Stage Air-Conditioners															
Unit Size	Allowable Liquid Line Size	Allowable Suction Line Size	Apply Long Line Guidelines if Linear Line Length Exceeds Those Shown Below (Feet)			Equivalent Length (Feet)									
			DRAC13	DRAC14 A/B	DRAC14 W	< 25	26-50	51-75	76-100	101-125	126-150	151-175	176-200	201-225	226-250
			Maximum Vertical Rise (Outdoor Unit Below Indoor Unit) * / Capacity Multiplier												
4 Ton	3/8"	3/4"	82	82	0	25 / 0.99	50 / 0.98	75 / 0.96	77 / 0.95	67 / 0.93	57 / 0.92	46 / 0.91	N/R	N/R	N/R
	1/2"	3/4"	41	41	0	25 / 0.99	50 / 0.98	75 / 0.96	100 / 0.95	100 / 0.93	100 / 0.92	100 / 0.91	N/R	N/R	N/R
	3/8"	7/8"	82	82	0	25 / 1.00	50 / 0.99	75 / 0.99	77 / 0.98	67 / 0.97	57 / 0.97	46 / 0.96	36 / 0.96	26 / 0.95	15 / 0.95
	1/2"	7/8"	41	41	0	25 / 1.00	50 / 0.99	75 / 0.99	100 / 0.98	100 / 0.97	100 / 0.97	100 / 0.96	100 / 0.96	99 / 0.95	97 / 0.95
5 Ton	3/8"	3/4"	0	0	0	25 / 0.99	50 / 0.97	75 / 0.94	61 / 0.92	46 / 0.90	N/R	N/R	N/R	N/R	N/R
	1/2"	3/4"	0	0	0	25 / 0.99	50 / 0.97	75 / 0.94	100 / 0.92	100 / 0.90	N/R	N/R	N/R	N/R	N/R
	3/8"	7/8"	0	0	0	25 / 1.00	50 / 0.99	75 / 0.98	61 / 0.97	46 / 0.96	32 / 0.95	18 / 0.94	N/R	N/R	N/R
	1/2"	7/8"	0	0	0	25 / 1.00	50 / 0.99	75 / 0.98	100 / 0.97	100 / 0.96	100 / 0.95	97 / 0.94	95 / 0.94	92 / 0.93	89 / 0.92
	3/8"	1-1/8"	0	0	0	25 / 1.01	50 / 1.01	75 / 1.00	61 / 1.00	46 / 0.99	32 / 0.99	18 / 0.99	N/R	N/R	N/R
	1/2"	1-1/8"	0	0	0	25 / 1.01	50 / 1.01	75 / 1.00	100 / 1.00	100 / 0.99	100 / 0.99	97 / 0.99	95 / 0.99	92 / 0.99	89 / 0.98

NOTES:

- Do not exceed 200 ft linear line length.
- *Do not exceed 100 ft vertical separation if outdoor unit is above indoor unit.
- **3/4" suction line should only be used for 1.5 ton systems if outdoor unit is below or at same level as indoor to assure proper oil return.
- Always use the smallest liquid line allowable to minimize refrigerant charge.
- Applications shaded in light gray indicate capacity multipliers between 0.90 and 0.96 which are not recommended, but are allowed.
- Applications shaded in dark gray are not recommended due to excessive liquid or suction pressure drop.



13 - 14 SEER Single-Stage Air-Conditioners																				
Unit Size	Allowable Liquid Line Size mm [in.]	Allowable Suction Line Size mm [in.]	Apply Long Line Guidelines if Linear Line Length Exceeds Those Shown Below (Meters)			Equivalent Length (Meters)														
			DRAC13	DRAC14 A/B	DRAC14 W	< 8	8-15	16-23	24-30	31-38	39-46	47-53	54-61	62-69	70-76					
			Maximum Vertical Rise (Outdoor Unit Below Indoor Unit) * / Capacity Multiplier																	
5.3 kW [1.5 Ton] **SEE NOTE 3	6.35 [1/4]	15.88 [5/8]	N/A	N/A	N/A	8 / 1.00	15 / 0.99	19 / 0.98	13 / 0.98	7 / 0.97	2 / 0.97	N/R	N/R	N/R	N/R	N/R	N/R	N/R	N/R	
	7.94 [5/16]	15.88 [5/8]	69	57	58	8 / 1.00	15 / 0.99	23 / 0.98	30 / 0.98	28 / 0.97	27 / 0.97	25 / 0.96	24 / 0.96	22 / 0.95	21 / 0.94	21 / 0.94	21 / 0.94	21 / 0.94	21 / 0.94	
	9.53 [3/8]	15.88 [5/8]	46	38	39	8 / 1.00	15 / 0.99	23 / 0.98	30 / 0.98	30 / 0.97	30 / 0.97	30 / 0.96	30 / 0.96	30 / 0.95	30 / 0.94	30 / 0.94	30 / 0.94	30 / 0.94	30 / 0.94	
	6.35 [1/4]	19.05 [3/4]**	N/A	N/A	N/A	8 / 1.00	15 / 1.00	19 / 0.99	13 / 0.99	7 / 0.99	2 / 0.99	N/R	N/R	N/R	N/R	N/R	N/R	N/R	N/R	
	7.94 [5/16]	19.05 [3/4]**	69	57	58	8 / 1.00	15 / 1.00	23 / 0.99	30 / 0.99	28 / 0.99	27 / 0.99	25 / 0.99	24 / 0.98	22 / 0.98	21 / 0.98	21 / 0.98	21 / 0.98	21 / 0.98	21 / 0.98	
	9.53 [3/8]	19.05 [3/4]**	46	38	39	8 / 1.00	15 / 1.00	23 / 0.99	30 / 0.99	30 / 0.99	30 / 0.99	30 / 0.99	30 / 0.98	30 / 0.98	30 / 0.98	30 / 0.98	30 / 0.98	30 / 0.98	30 / 0.98	30 / 0.98
	6.35 [1/4]	15.88 [5/8]	N/A	N/A	N/A	8 / 0.99	15 / 0.98	6 / 0.97	N/R	N/R	N/R	N/R	N/R	N/R	N/R	N/R	N/R	N/R	N/R	N/R
	7.94 [5/16]	15.88 [5/8]	68	52	55	8 / 0.99	15 / 0.98	23 / 0.97	27 / 0.96	23 / 0.95	21 / 0.94	19 / 0.93	16 / 0.92	14 / 0.91	11 / 0.90	11 / 0.90	11 / 0.90	11 / 0.90	11 / 0.90	11 / 0.90
	9.53 [3/8]	15.88 [5/8]	45	35	37	8 / 0.99	15 / 0.98	23 / 0.97	30 / 0.96	30 / 0.95	30 / 0.94	30 / 0.93	29 / 0.92	28 / 0.91	27 / 0.90	27 / 0.90	27 / 0.90	27 / 0.90	27 / 0.90	27 / 0.90
	6.35 [1/4]	19.05 [3/4]	N/A	N/A	N/A	8 / 1.00	15 / 1.00	6 / 0.99	N/R	N/R	N/R	N/R	N/R	N/R	N/R	N/R	N/R	N/R	N/R	N/R
7.94 [5/16]	19.05 [3/4]	68	52	55	8 / 1.00	15 / 1.00	23 / 0.99	27 / 0.99	23 / 0.98	21 / 0.98	19 / 0.98	16 / 0.97	14 / 0.97	11 / 0.96	11 / 0.96	11 / 0.96	11 / 0.96	11 / 0.96	11 / 0.96	
9.53 [3/8]	19.05 [3/4]	45	35	37	8 / 1.00	15 / 1.00	23 / 0.99	30 / 0.99	30 / 0.99	30 / 0.98	30 / 0.98	29 / 0.97	28 / 0.97	27 / 0.96	24 / 0.95	24 / 0.95	24 / 0.95	24 / 0.95	24 / 0.95	
7.94 [5/16]	15.88 [5/8]	45	45	34	8 / 0.99	15 / 0.98	23 / 0.96	21 / 0.94	18 / 0.93	15 / 0.91	11 / 0.90	N/R	N/R	N/R	N/R	N/R	N/R	N/R	N/R	
9.53 [3/8]	15.88 [5/8]	30	30	23	8 / 0.99	15 / 0.98	23 / 0.96	30 / 0.94	30 / 0.93	29 / 0.91	27 / 0.90	N/R	N/R	N/R	N/R	N/R	N/R	N/R	N/R	
7.94 [5/16]	19.05 [3/4]	45	45	34	8 / 1.00	15 / 0.99	23 / 0.99	21 / 0.98	18 / 0.98	15 / 0.97	11 / 0.96	8 / 0.96	4 / 0.95	N/R	N/R	N/R	N/R	N/R	N/R	
9.53 [3/8]	19.05 [3/4]	30	30	23	8 / 1.00	15 / 0.99	23 / 0.99	30 / 0.98	30 / 0.98	29 / 0.97	27 / 0.96	26 / 0.96	25 / 0.95	24 / 0.95	24 / 0.95	24 / 0.95	24 / 0.95	24 / 0.95	24 / 0.95	
7.94 [5/16]	15.88 [5/8]	N/A	27	22	8 / 0.99	15 / 0.97	20 / 0.94	15 / 0.92	10 / 0.90	N/R	N/R	N/R	N/R	N/R	N/R	N/R	N/R	N/R	N/R	
9.53 [3/8]	15.88 [5/8]	34	18	15	8 / 0.99	15 / 0.97	23 / 0.94	29 / 0.92	27 / 0.90	N/R	N/R	N/R	N/R	N/R	N/R	N/R	N/R	N/R	N/R	
7.94 [5/16]	19.05 [3/4]	N/A	27	22	8 / 1.00	15 / 0.99	20 / 0.98	15 / 0.98	10 / 0.97	5 / 0.96	N/R	N/R	N/R	N/R	N/R	N/R	N/R	N/R	N/R	
9.53 [3/8]	19.05 [3/4]	34	18	15	8 / 1.00	15 / 0.99	23 / 0.98	29 / 0.98	27 / 0.97	26 / 0.96	24 / 0.95	22 / 0.94	20 / 0.93	19 / 0.93	19 / 0.93	19 / 0.93	19 / 0.93	19 / 0.93	19 / 0.93	
12.7 [1/2]	19.05 [3/4]	17	9	7	8 / 1.00	15 / 0.99	23 / 0.98	30 / 0.98	30 / 0.97	30 / 0.96	30 / 0.95	30 / 0.94	30 / 0.93	30 / 0.93	30 / 0.93	30 / 0.93	30 / 0.93	30 / 0.93	30 / 0.93	
7.94 [5/16]	22.23 [7/8]	N/A	27	22	8 / 1.00	15 / 1.00	20 / 1.00	15 / 0.99	10 / 0.99	5 / 0.99	N/R	N/R	N/R	N/R	N/R	N/R	N/R	N/R	N/R	
9.53 [3/8]	22.23 [7/8]	34	18	15	8 / 1.00	15 / 1.00	23 / 1.00	29 / 0.99	27 / 0.99	26 / 0.99	24 / 0.98	22 / 0.98	20 / 0.98	19 / 0.97	19 / 0.97	19 / 0.97	19 / 0.97	19 / 0.97	19 / 0.97	
12.7 [1/2]	22.23 [7/8]	17	9	7	8 / 1.00	15 / 1.00	23 / 1.00	30 / 0.99	30 / 0.99	30 / 0.99	30 / 0.98	30 / 0.98	30 / 0.98	30 / 0.98	30 / 0.98	30 / 0.98	30 / 0.98	30 / 0.98	30 / 0.98	
9.53 [3/8]	19.05 [3/4]	45	34	30	8 / 0.99	15 / 0.98	23 / 0.97	27 / 0.96	24 / 0.95	22 / 0.94	20 / 0.92	17 / 0.91	15 / 0.90	N/R	N/R	N/R	N/R	N/R	N/R	
12.7 [1/2]	19.05 [3/4]	23	17	15	8 / 0.99	15 / 0.98	23 / 0.97	30 / 0.96	30 / 0.95	30 / 0.94	30 / 0.92	30 / 0.91	30 / 0.90	N/R	N/R	N/R	N/R	N/R	N/R	
9.53 [3/8]	22.23 [7/8]	45	34	30	8 / 1.00	15 / 1.00	23 / 0.99	27 / 0.99	24 / 0.99	22 / 0.98	20 / 0.97	17 / 0.97	15 / 0.96	13 / 0.96	13 / 0.96	13 / 0.96	13 / 0.96	13 / 0.96	13 / 0.96	
12.7 [1/2]	22.23 [7/8]	23	17	15	8 / 1.00	15 / 1.00	23 / 0.99	30 / 0.99	30 / 0.99	30 / 0.98	30 / 0.97	30 / 0.97	30 / 0.96	30 / 0.96	30 / 0.96	30 / 0.96	30 / 0.96	30 / 0.96	30 / 0.96	

NOTES:
 1. Do not exceed 61 meters linear line length.
 2. Do not exceed 30 meters vertical separation if outdoor unit is above indoor unit.
 3. **19.05 mm [3/4 in.] suction line should only be used for 1.5 ton systems if outdoor unit is below or at same level as indoor to assure proper oil return.
 4. Always use the smallest liquid line allowable to minimize refrigerant charge.
 5. Applications shaded in light gray indicate capacity multipliers between 0.90 and 0.96 which are not recommended, but are allowed.
 6. Applications shaded in dark gray are not recommended due to excessive liquid or suction pressure drop.



13 - 14 SEER Single-Stage Air-Conditioners															
Unit Size	Allowable Liquid Line Size mm [in.]	Allowable Suction Line Size mm [in.]	Apply Long Line Guidelines if Linear Line Length Exceeds Those Shown Below (Meters)			Equivalent Length (Meters)									
			DRAC13	DRAC14 A/B	DRAC14 W	< 8	8-15	16-23	24-30	31-38	39-46	47-53	54-61	62-69	70-76
			Maximum Vertical Rise (Outdoor Unit Below Indoor Unit) * / Capacity Multiplier												
14.1 kW [4 Ton]	9.53 [3/8]	19.05 [3/4]	25	25	0	8 / 0.99	15 / 0.98	23 / 0.96	24 / 0.95	20 / 0.93	17 / 0.92	14 / 0.91	N/R	N/R	N/R
	12.70 [1/2]	19.05 [3/4]	12	12	0	8 / 0.99	15 / 0.98	23 / 0.96	30 / 0.95	30 / 0.93	30 / 0.92	30 / 0.91	N/R	N/R	N/R
	9.53 [3/8]	22.23 [7/8]	25	25	0	8 / 1.00	15 / 0.99	23 / 0.99	24 / 0.98	20 / 0.97	17 / 0.97	14 / 0.96	11 / 0.96	8 / 0.95	5 / 0.95
	12.70 [1/2]	22.23 [7/8]	12	12	0	8 / 1.00	15 / 0.99	23 / 0.99	30 / 0.98	30 / 0.97	30 / 0.97	30 / 0.96	30 / 0.96	30 / 0.95	30 / 0.95
17.6 kW [5 Ton]	9.53 [3/8]	19.05 [3/4]	0	0	0	8 / 0.99	15 / 0.97	23 / 0.94	19 / 0.92	14 / 0.90	N/R	N/R	N/R	N/R	N/R
	12.70 [1/2]	19.05 [3/4]	0	0	0	8 / 0.99	15 / 0.97	23 / 0.94	30 / 0.92	30 / 0.90	N/R	N/R	N/R	N/R	N/R
	9.53 [3/8]	22.23 [7/8]	0	0	0	8 / 1.00	15 / 0.99	23 / 0.98	19 / 0.97	14 / 0.96	10 / 0.95	5 / 0.94	N/R	N/R	N/R
	12.70 [1/2]	22.23 [7/8]	0	0	0	8 / 1.00	15 / 0.99	23 / 0.98	30 / 0.97	30 / 0.96	30 / 0.95	30 / 0.94	29 / 0.94	28 / 0.93	27 / 0.92
	9.53 [3/8]	28.58 [1-1/8]	0	0	0	8 / 1.01	15 / 1.01	23 / 1.00	19 / 1.00	14 / 0.99	10 / 0.99	5 / 0.99	N/R	N/R	N/R
	12.70 [1/2]	28.58 [1-1/8]	0	0	0	8 / 1.01	15 / 1.01	23 / 1.00	30 / 1.00	30 / 0.99	30 / 0.99	30 / 0.99	29 / 0.99	28 / 0.99	27 / 0.98

- NOTES:**
- Do not exceed 61 meters linear line length.
 - *Do not exceed 30 meters vertical separation if outdoor unit is above indoor unit.
 - **19.05 mm [3/4 in.] suction line should only be used for 1.5 ton systems if outdoor unit is below or at same level as indoor to assure proper oil return.
 - Always use the smallest liquid line allowable to minimize refrigerant charge.
 - Applications shaded in light gray indicate capacity multipliers between 0.90 and 0.96 which are not recommended, but are allowed.
 - Applications shaded in dark gray are not recommended due to excessive liquid or suction pressure drop.



Performance Data @ AHRI Standard Conditions—Cooling

Designated Tested Combination (DTC)							
Outdoor Unit	Indoor Coil or Air Handler	Total Capacity BTU/H [kW]	Net Sensible BTU/H [kW]	Net Latent BTU/H [kW]	SEER	EER	Indoor CFM [L/s]
DRAC13A30BJ	DRAEF3617STA	27800 [8.0]	20596 [6.0]	7204 [2.1]	13.00	11.00	1000 [471.9]
DRAC13A48BJ	DRAEF4821STA	45000 [13.9]	32589 [9.6]	12411 [3.6]	13.00	11.00	1500 [707.9]

NOTE: Additional ratings and system match ups and downloadable ratings certificates can be accessed from the AHRI website: www.ahridirectory.org

[] Designates Metric Conversions



GENERAL TERMS OF LIMITED WARRANTY*

Durastar will furnish a replacement for any part of this product which fails in normal use and service within the applicable period stated, in accordance with the terms of the limited warranty.

Parts.....Five (5) Years

***For complete details of the Limited and Conditional Warranties, including applicable terms and conditions, contact your local contractor or the Manufacturer for a copy of the product warranty certificate.**







Before proceeding with installation, refer to installation instructions packaged with each model, as well as complying with all Federal, State, Provincial, and Local codes, regulations, and practices.



"In keeping with its policy of continuous progress and product improvement, Durastar reserves the right to make changes without notice."