



Color Variants
AW442720
Stainless Steel
Width 47 1/4" (120 cm)

AW442720
400 series wall hood
Stainless Steel
Width 47 1/4" (120 cm)
Air extraction / recirculation
Comes without blower. (Chose from AR400743 internal, AR400742 inline or AR401742 remote blower.)
Duct cover not included. Must be ordered separately.

Professional technology hood combined with classic Gaggenau design
Highly efficient extraction of cooking vapors due to large vapor collection area
Comes without blower, can be combined with Gaggenau's highly performing and highly efficient brushless DC (BLDC) blowers
Angled baffle filter with high grease absorption level
Automatic function, sensor-controlled power adjustment depending on the build-up of cooking vapors
Dimmable, warm white LED lighting for ideal illumination of the cooking surface.
Air extraction or recirculation system
Recirculation kit with activated charcoal filters: quiet and highly efficient recirculation solution with odor reduction as in air extraction mode, and long replacement intervals

Output

For CFM information, refer to the blower overview in the Models & Dimensions catalog.

Features

Three electronically controlled power levels and an intensive mode.
Automatic function with sensor-controlled delayed shut-off function.
Grease filter saturation indication by flashing light
Baffle filter, dishwasher-safe.
Warm white surface LED light (3500 K), continuously dimmable.
Lamp output 3 x LED light bars 10W. Illuminance 1110 lx.
Easy mounting system for simple installation and alignment.

Planning notes

To chose the correct blower for either extraction or recirculation, refer to the blower overview on page xx.
The two-part duct cover must be ordered as a separate installation accessory.
Connection to the respective appliances via network cable.
Minimum clearance above gas cooktops 70 cm.
Minimum clearance above electric cooktops min. 60 cm.
Air recirculation kit with 2 activated charcoal filters is installed in the inner duct cover. Special recirculation duct covers are available.
When installing a ventilation hood with air extraction mode and a chimney-vented fireplace, the power supply line of the ventilation appliance needs a suitable safety switch.

Rating

Total rating: 40 W.
Total Amps: 10 A.
120 V / 60 Hz
Connecting cable 35,4" with plug.

Product Features

Operating Mode
Convertible: Ducted / Recirculating
Number of speed settings
3-stage
Delay Shut off modes
Silence level (dBA)
Required accessories
Optional accessories
AA400510, AA442110, AA442810, AD442392
Number of lights
3
Type of lamps used
LED
Total power of the lamps (W)
30
Grease filter material
Washable stainless steel
Grease filter type
Clean filter reminders

Consumption and connection features

UPC code
825225910008
Material
Stainless steel
Watts (W)
40
Current (A)
10
Volts (V)
120
Frequency (Hz)
60
Approval certificates
VDE
Power Cord Length
35,4
Plug type
120V-3 prong
Overall appliance dimensions (HxWxD) (in)
/ x 47 1/4" x 21 5/8"
Product packaging dimensions (HxWxD) (in)
20.86 x 51.57 x 31.10
Height of the chimney (in)
Vertical rise height
Required distance above cooktop/ ranges
23,63/25,56
Net weight (lbs)
67
Gross weight (lbs)
101
Adjustable feet
Motor location
without motor
Maximum CFM
Diameter of air duct (in) top
Diameter of air duct (in) back
Discharge direction
No-return airflow flap
No
2016-08-31
Page 1

AW442720

400 series wall hood

Stainless Steel

Width 47 1/4" (120 cm)

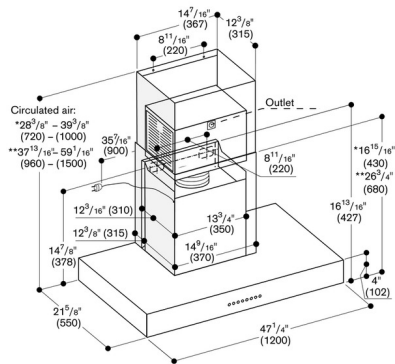
Air extraction / recirculation

Comes without blower. (Chose from AR400743 internal, AR400742 inline or AR401742 remote blower.)

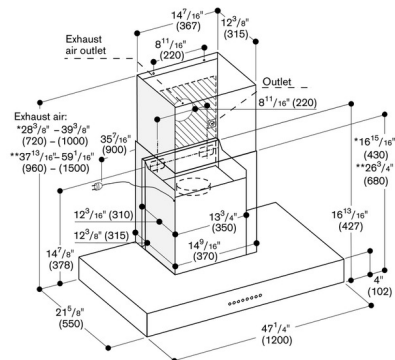
Duct cover not included. Must be ordered separately.

2016-08-31

Page 2



- * With the air recirculation duct cover AD 442 112 suitable for ceiling heights of 7.6 ft (2.35 m) to 8.6 ft (2.60 m).
- ** With the air recirculation duct cover AD 442 122 suitable for ceiling heights of 8.6 ft (2.60 m) to 10.2 ft (3.10 m); specifications refer to a distance from floor to lower chimney edge of 5.2 ft (1.60 m).



- * With the exhaust air duct cover AD 442 012 suitable for ceiling heights of 7.6 ft (2.35 m) to 8.6 ft (2.60 m).
- ** With the exhaust air duct cover AD 442 022 suitable for ceiling heights of 8.6 ft (2.60 m) to 10.2 ft (3.10 m); specifications refer to a distance from floor to lower chimney edge of 5.2 ft (1.60 m).