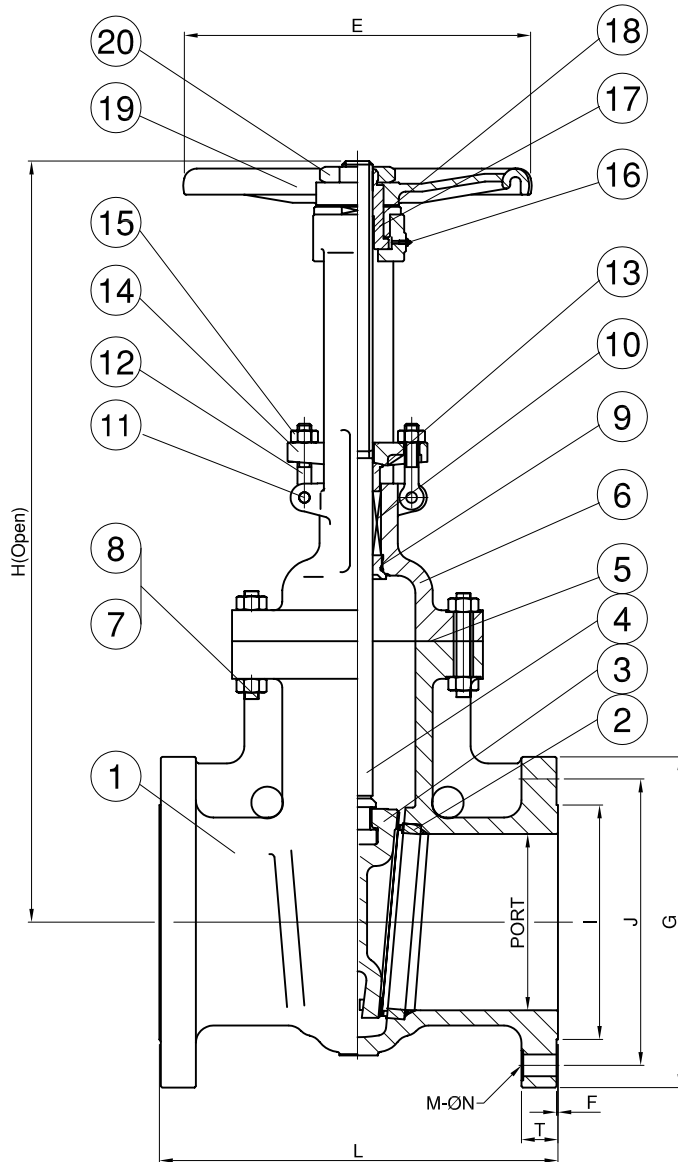


Fig No:

#551



MATERIAL LIST

ITEM	PART NAME	MATERIAL
1	BODY	ASTM A216 GR.WCB
2	SEAT RINGS	ASTM A105+STELLITE FACED
3	DISC	ASTM A216 GR.WCB+13%Cr FACED
4	STEM	ASTM A182 GR.F6
5	GASKET	SOFT IRON+GRAPHITE
6	BONNET	ASTM A216 GR.WCB
7	BONNET BOLT NUT	ASTM A194 GR.2H
8	BONNET BOLT	ASTM A193 GR.B7
9	BACKSEAT BUSHING	ASTM A276 Type 410
10	PACKING	BRAIDED GRAPHITE & DIE FORMED GRAPHITE RING
11	EYE BOLT PIN	ASTM A105
12	EYE BOLT	ASTM A307 B
13	GLAND	ASTM A276 Type 410
14	GLAND FLANGE	ASTM A216 GR.WCB
15	EYE BOLT NUT	ASTM A194 GR.2H
16	GREASW NIPPLE	CARBON STEEL
17	YOKE SLEEVE	ASTM A439 D-2
18	RETAINING NUT	CARBON STEEL
19	HANDWHEEL	MALLEABLE IRON
20	HANDWHEEL NUT	CARBON STEEL

DIMENSIONS

unit: inch

SIZE	PORT	L	E	H	G	J	I	T	F	M	ØN
2"	1.969	7.008	7.874	15.276	6.000	4.750	3.620	0.750	0.060	4	0.750
2-1/2"	2.559	7.480	7.874	17.480	7.000	5.500	4.120	0.880	0.060	4	0.750
3"	3.150	7.992	9.843	19.567	7.500	6.000	5.000	0.940	0.060	4	0.750
4"	3.937	9.016	9.843	23.031	9.000	7.500	6.190	0.940	0.060	8	0.750
6"	5.906	10.512	11.811	30.118	11.000	9.500	8.500	1.000	0.060	8	0.880
8"	7.874	11.496	13.780	37.953	13.500	11.750	10.620	1.120	0.060	8	0.880
10"	9.843	12.992	15.748	45.472	16.000	14.250	12.750	1.190	0.060	12	1.000
12"	11.811	14.016	17.717	53.622	19.000	17.000	15.000	1.250	0.060	12	1.000



	APPROVED BY.	CHECK BY.	DRAWN BY.	DRAWINGNO.	MATERIAL	UNIT	DESCRIPTION
SIGN				#551-D1		INCH	2"~12" CARBON STEEL FLANGED GATE VALVES ANSI CLASS 150
DATE				02	SCALE	FREE	
				10/29/2004			