

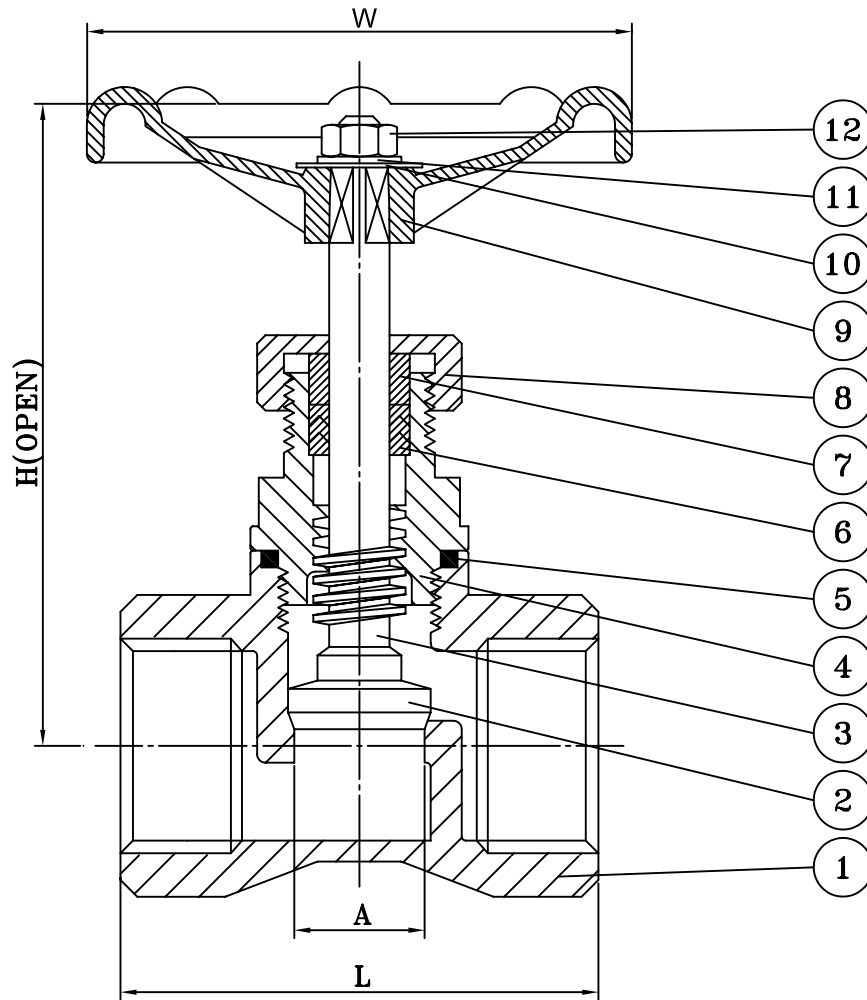
Fig No: F17B-200

MATERIAL LIST

NO	PART NAME	MATERIAL	Q,TY
1	BODY	ASTM A351 Gr.CF8M	1
2	DISC	SS316	1
3	STEM	SS316	1
4	BONNET	ASTM A351 Gr.CF8M	1
5	BODY SEAL	PTFE	1
6	STEM PACKING	PTFE	1SET
7	GLAND	SS304	1
8	GLAND NUT	ASTM A351 Gr.CF8M	1
9	HANDLEWHEEL	MICO STEEL	1
10	NAME PLATE	ALUMINUM	1
11	HANDLEWHEEL WASHER	SS304	1
12	HANDLEWHEEL NUT	SS304	1

DIMENSION inch

SIZE	A	H	L	W
1/4"	0.47	3.03	2.05	2.76
3/8"	0.47	3.03	2.05	2.76
1/2"	0.47	3.11	2.05	2.76
3/4"	0.59	3.58	2.36	2.76
1"	0.79	4.13	2.88	3.15
1-1/4"	0.98	5.00	3.19	3.15
1-1/2"	1.26	5.59	3.54	3.54
2"	1.57	6.22	3.98	3.94



	APPROVED BY.	CHECK BY.	DRAWN BY.	DRAWING NO.	MATERIAL	UNIT	DESCRIPTION
SIGN				17B-200-D		INCH	SCREWED BONNET GLOBE VALVES RISING STEM, 200 PSI THREADED END
	DATE			REVISION	01 07/04/2002	SCALE	

FNW™