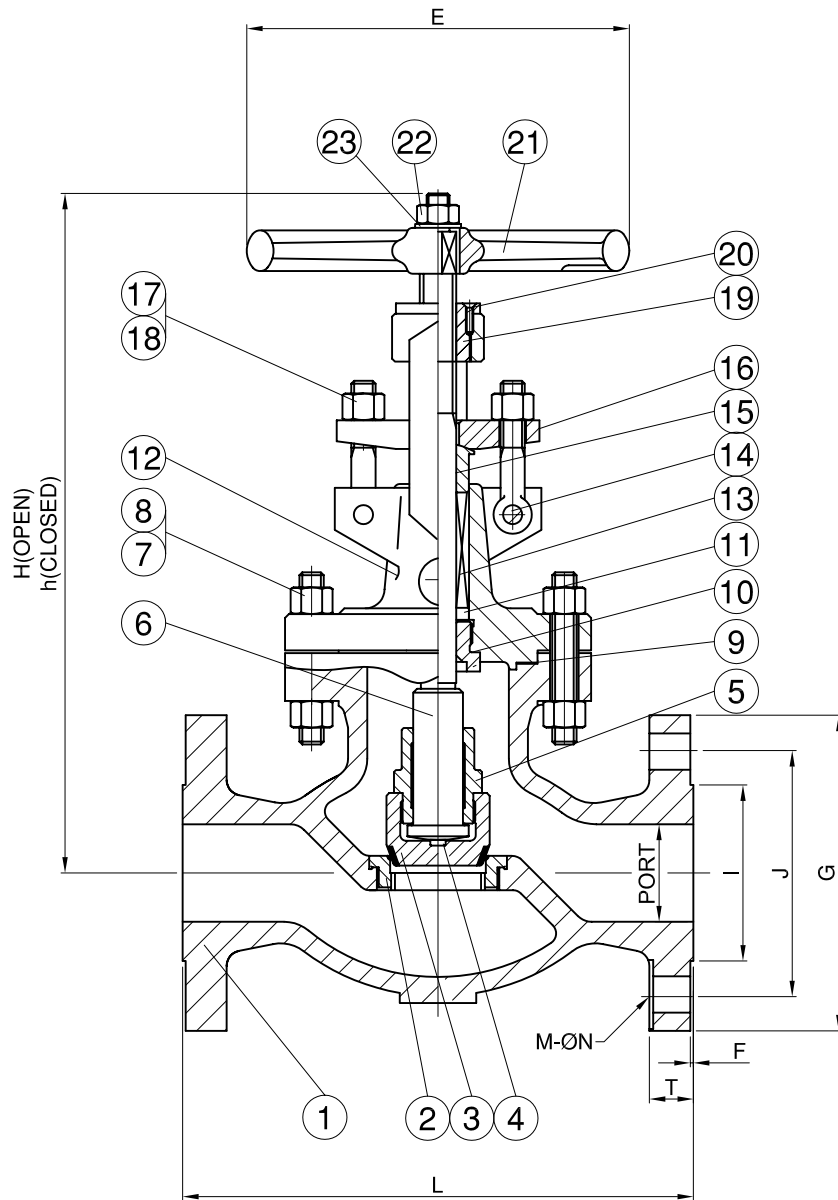


Fig No:

#561



MATERIAL LIST

ITEM	PART NAME	MATERIAL
1	Body	ASTM A216 GR.WCB
2	Seat Ring	ASTM A105+ STELLIE Faced
3	Disc	ASTM A216 GR.WCB+13%Cr Faced
4	Disc Thrust Plate	ASTM A276 Type 410
5	Disc Nut	ASTM A276 Type 410
6	Stem	ASTM A182 F6
7	Bonnet Stud Bolts	ASTM A193 GR.B7
8	Stud Bolt Nuts	ASTM A194 GR.2H
9	Gasket	Soft Iron+Graphite
10	Bonnet Bushing	ASTM A276 Type 410
11	Gasket Ring	ASTM A276 Type 410
12	Packing	Braided Graphite & Die formed Graphite Ring
13	Bonnet	ASTM A216 GR.WCB
14	Eye Bolt Pins	Carbon Steel
15	Gland	ASTM A276 Type 410
16	Gland Flange	ASTM A216 GR.WCB
17	Gland Eye Bolts	ASTM A307 GR.B
18	Eye Bolt Nuts	ASTM A194 GR.2H
19	Yoke Sleeve	ASTM A439 GR.D-2
20	Screw	Carbon Steel
21	Handwheel	Malleable Iron
22	Handwheel Nut	Carbon Steel
23	Backing Ring	Carbon Steel

DIMENSIONS

unit: inch

SIZE	PORT	L	E	H	G	J	I	T	F	M	ØN
2"	1.969	7.992	7.874	13.780	6.000	4.750	3.620	0.750	0.060	4	0.750
3"	3.150	9.488	9.843	15.945	7.500	6.000	5.000	0.940	0.060	4	0.750
4"	3.937	11.496	11.811	17.323	9.000	7.500	6.190	0.940	0.060	8	0.750
6"	5.906	15.984	13.780	20.197	11.000	9.500	8.500	1.000	0.060	8	0.880
8"	7.874	19.488	17.717	24.016	13.500	11.750	10.620	1.120	0.060	8	0.880
10"	9.843	24.488	17.717	28.740	16.000	14.250	12.750	1.190	0.060	12	1.000
12"	11.811	27.520	25.197	36.339	19.000	17.000	15.000	1.250	0.060	12	1.000

FNW™

	APPROVED BY.	CHECK BY.	DRAWN BY.	DRAWINGNO.	MATERIAL	UNIT	DESCRIPTION
SIGN				#561-D		INCH	2"~12" CARBON STEEL FLANGED GLOBE VALVES ANSI CLASS 150
DATE				REVISION	SCALE	FREE	
				02 10/29/2004			