

FLANGED GATE, GLOBE & CHECK VALVES

FNW™



4120 N.E. Columbia Blvd. • Portland Oregon USA 97211
Phone: 503-287-8383 • Fax: 503-281-9677 • www.fnwvalve.com

INDEX

Pressure/Temperature Ratings	3
Options & Accessories	2

Carbon Steel Valves

Fig No	Type	
551	150# Gate Valve	4
552	300# Gate Valve	5
561	150# Globe Valve	6
562	300# Globe Valve	7
571	150# Swing Check Valve	8
572	300# Swing Check Valve	9

Stainless Steel Valves

Fig No	Type	
451	150# Gate Valve	10
452	300# Gate Valve	11
461	150# Globe Valve	12
462	300# Globe Valve	13
471	150# Swing Check Valve	14
472	300# Swing Check Valve	15

OPTIONS & ACCESSORIES

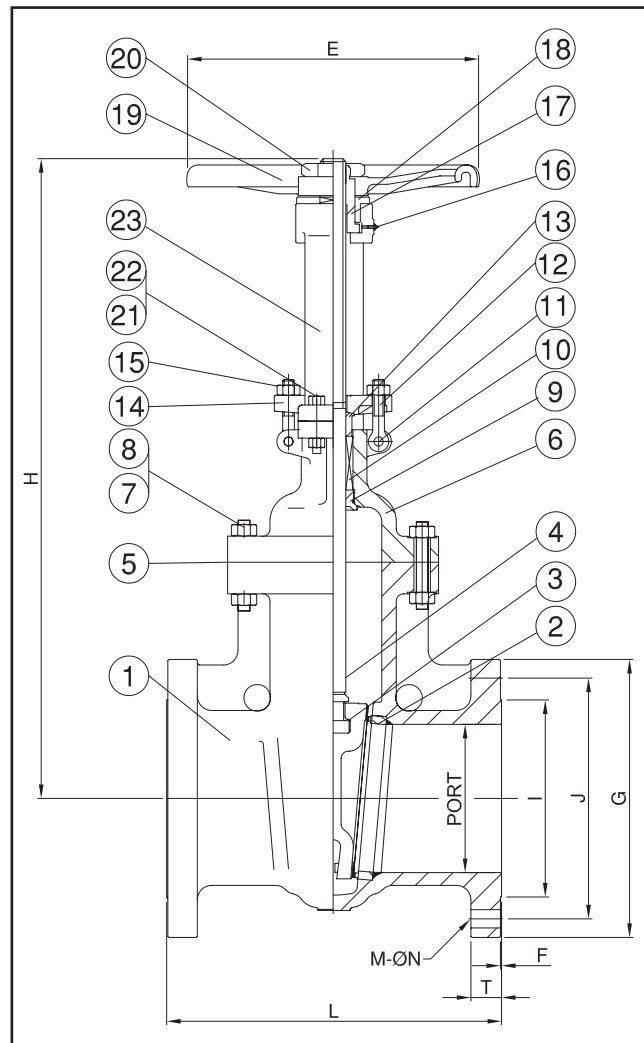
FNW Valve Company offers many options and modifications for their cast steel valves. These include, but are not limited to:

- **By-Passes**
A By-Pass is primarily used to equalize pressure between the valve inlet and outlet before opening the main valve. Equalizing pressure makes opening the main valve easier, especially on valves with a high differential pressure. In high temperature applications, a by-pass allows preheating of the downstream line to lessen the shock of thermal expansion.
- **Actuation & Accessories**
FNW Valve can supply an assortment of actuation types and accessories including ratchets, chain wheels, square drive nuts, gear-operators, pneumatic and hydraulic cylinders, and motor operators. We can also supply accessories ranging from solenoids, position switches, and positioners, to network controls and valve monitors.
- **Packing Options**
Different applications can have different needs. FNW Valve offers packing materials for various pH and temperature requirements.
- **Stem Extensions & Floor Stands**
For remote applications, custom stem extensions and non-rising stem (NRS) adapters are available in carbon and stainless steel. Also available are floor stands made to order to your specifications.

150# Carbon Steel OS&Y Gate Valve

Standard Materials

NO	PART NAME	MATERIAL
1	Body	ASTM A216 Gr. WCB
2	Seat Ring	ASTM A105 + Hard Faced
3	Disc	ASTM A216 Gr. WCB + 13% CR Faced
4	Stem	ASTM A182 F6
5	Gasket	Soft Iron + Graphite
6	Bonnet	ASTM A216 Gr. WCB
7	Bonnet Bolt Nut	ASTM A194 Gr. 2H
8	Bonnet Bolt	ASTM A193 Gr. B7
9	Bonnet Bushing	ASTM A276 Type 410
10	Gland Packing	Braided Graphite + DF Graphite Ring
11	Eye Bolt Pins	ASTM A105
12	Gland Eye Bolts	ASTM A307 B
13	Gland	ASTM A276 Type 410
14	Gland Flange	ASTM A216 Gr. WCB
15	Eye Bolt Nut	ASTM A194 Gr. 2H
16	Grease Nipple	Carbon Steel
17	Yoke Sleeve	ASTM A439 Gr. D-2
18	Retaining Nut	Carbon Steel
19	Handwheel	Malleable Iron
20	Handwheel Nut	Carbon Steel
21	Yoke Pad Bolt	ASTM A193 Gr. B7 (size 14 - 24 inch)
22	Yoke Pad Bolt Nut	ASTM A194 Gr. 2H (size 14 - 24 inch)
23	Yoke	ASTM A216 Gr. WCB (size 14 - 24 inch)

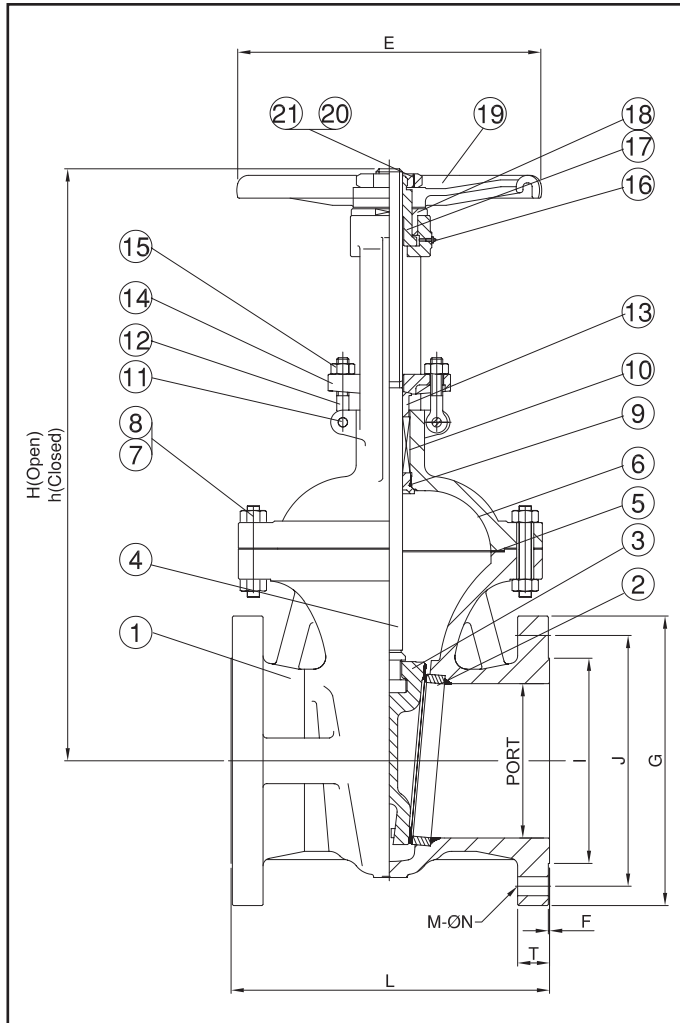


Dimensions (Inches)

SIZE	2"	2-1/2"	3"	4"	6"	8"	10"	12"	14"	16"	18"	20"	24"
Port	1.969	2.559	3.15	3.937	5.906	7.874	9.843	11.811	13.78	15.748	17.717	19.685	23.622
L	7.008	7.48	7.992	9.016	10.512	11.496	12.992	14.016	15	15.984	17.008	17.992	20
H	15.276	17.48	19.567	23.031	30.118	37.953	45.472	53.622	60.748	68.425	77.126	87.165	102.32
E	7.874	7.874	9.843	9.843	11.811	13.78	15.748	17.717	19.685	25.197	25.197	26.772	29.921
F	0.06	0.06	0.06	0.06	0.06	0.06	0.06	0.06	0.06	0.06	0.06	0.06	0.06
G	6	7	7.5	9	11	13.5	16	19	21	23.5	25	27.5	32
I	3.62	4.12	5	6.19	8.5	10.62	12.75	15	16.25	18.5	21	23	27.25
J	4.75	5.5	6	7.5	9.5	11.75	14.25	17	18.75	21.25	22.75	25	29.5
T	0.75	0.88	0.94	0.94	1	1.12	1.19	1.25	1.38	1.44	1.56	1.69	1.88
M	4	4	4	8	8	8	12	12	12	16	16	20	20
N	0.75	0.75	0.75	0.75	0.88	0.88	1	1	1.12	1.12	1.25	1.25	1.38
Wt. (LBS)	40	62	75	115	194	318	435	657	895	1156	1588	2463	3232

Figure 552

300# Carbon Steel OS&Y Gate Valve



Standard Materials

NO	PART NAME	MATERIAL
1	Body	ASTM A216 Gr. WCB
2	Seat Ring	ASTM A105 + Hard Faced
3	Disc	ASTM A216 Gr. WCB + 13% CR Faced
4	Stem	ASTM A182 F6
5	Gasket	Soft Iron + Graphite
6	Bonnet	ASTM A216 Gr. WCB
7	Bonnet Bolt Nut	ASTM A194 Gr. 2H
8	Bonnet Bolt	ASTM A193 Gr. B7
9	Bonnet Bushing	ASTM A276 Type 410
10	Gland Packing	Braided Graphite + DF Graphite Ring
11	Eye Bolt Pins	Carbon Steel
12	Gland Eye Bolts	ASTM A193 Gr. B7
13	Gland	ASTM A276 Type 410
14	Gland Flange	ASTM A216 Gr. WCB
15	Eye Bolt Nut	ASTM A194 Gr. 2H
16	Grease Nipple	Carbon Steel
17	Yoke Sleeve	ASTM A439 Gr. D-2
18	Retaining Nut	Carbon Steel
19	Handwheel	Malleable Iron
20	Screw	Carbon Steel
21	Handwheel Nut	Carbon Steel

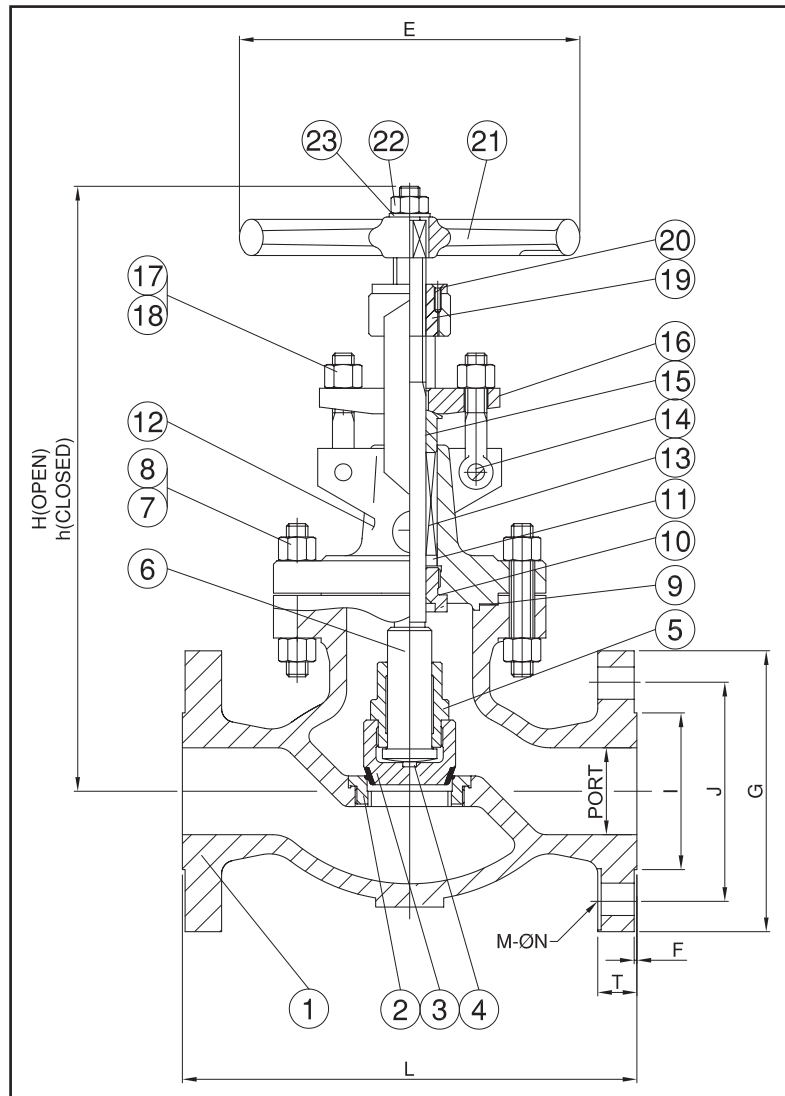
Dimensions (Inches)

SIZE	2"	2-1/2"	3"	4"	6"	8"	10"	12"
Port	1.969	2.559	3.15	3.937	5.906	7.874	9.843	11.811
L	8.504	9.488	11.142	12.008	15.866	16.496	17.992	19.764
H	16.614	20.157	20.355	24.213	31.654	39.449	48.386	59.528
E	7.874	7.874	9.843	11.811	13.78	15.748	17.717	19.685
Flange Dimensions	F	0.06	0.06	0.06	0.06	0.06	0.06	0.06
	G	6.5	7.5	8.25	10	12.5	17.5	20.5
	I	3.62	4.12	5	6.19	8.5	10.62	12.75
	J	5	5.88	6.62	7.88	10.62	13	15.25
	T	0.88	1	1.12	1.25	1.44	1.62	1.88
	M	8	8	8	8	12	12	16
	N	0.75	0.88	0.88	0.88	0.88	1	1.12
Wt. (LBS)	53	97	115	168	322	481	776	1041

150# Carbon Steel Globe Valve

Standard Materials

NO	PART NAME	MATERIAL
1	Body	ASTM A216 Gr. WCB
2	Seat Ring	ASTM A105 + Hard Faced
3	Disc	ASTM A216 Gr. WCB + 13% CR Faced
4	Disc Thrust Plate	ASTM A276 Type 410
5	Disc Nut	ASTM A276 Type 410
6	Stem	ASTM A182 F6
7	Bonnet Bolt	ASTM A193 Gr. B7
8	Bonnet Bolt Nut	ASTM A194 Gr. 2H
9	Gasket	Soft Iron + Graphite
10	Bonnet Bushing	ASTM A276 Type 410
11	Gasket Ring	ASTM A276 Type 410
12	Packing	Braided Graphite + DF Graphite Ring
13	Bonnet	ASTM A216 Gr. WCB
14	Eye Bolt Pins	Carbon Steel
15	Gland	ASTM A276 Type 410
16	Gland Flange	ASTM A216 Gr. WCB
17	Gland Eye Bolts	ASTM A307 Gr. B
18	Eye Bolt Nuts	ASTM A194 Gr. 2H
19	Yoke Sleeve	ASTM A439 Gr. D2
20	Screw	Carbon Steel
21	Handwheel	Malleable Iron
22	Handwheel Nut	Carbon Steel
23	Backing Ring	Carbon Steel



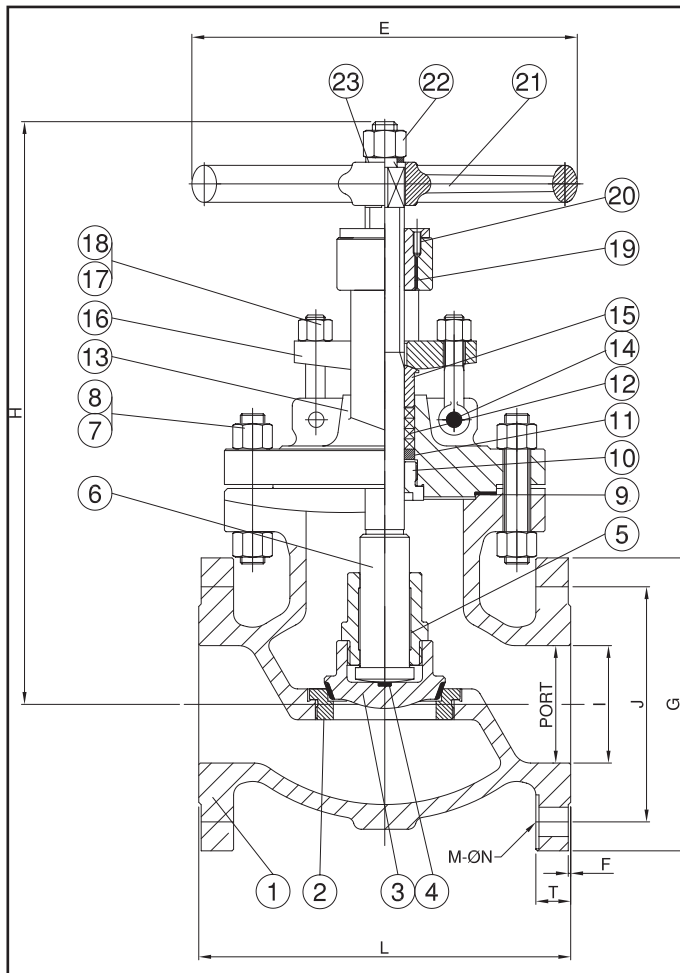
Dimensions (Inches)

SIZE	2"	3"	4"	6"	8"	10"	12"
Port	1.969	3.15	3.937	5.906	7.874	9.843	11.811
L	7.992	9.488	11.496	15.984	19.488	24.488	27.52
H	13.78	15.945	17.323	20.197	24.016	28.74	36.339
E	7.874	9.843	11.811	13.78	17.717	17.717	25.197
Flange Dimensions	F	0.06	0.06	0.06	0.06	0.06	0.06
	G	6	7.5	9	11	13.5	16
	I	3.62	5	6.19	8.5	10.62	12.75
	J	4.75	6	7.5	9.5	11.75	14.25
	T	0.75	0.94	0.94	1	1.12	1.19
	M	4	4	8	8	8	12
	N	0.75	0.75	0.75	0.88	0.88	1
	Ø	4	4	8	8	8	12
Wt. (LBS)	49	93	133	223	355	679	904

4120 N.E. Columbia Blvd. • Portland Oregon USA 97211
 Phone: 503-287-8383 • Fax: 503-281-9677 • www.fnwvalve.com

Figure 562

300# Carbon Steel Globe Valve



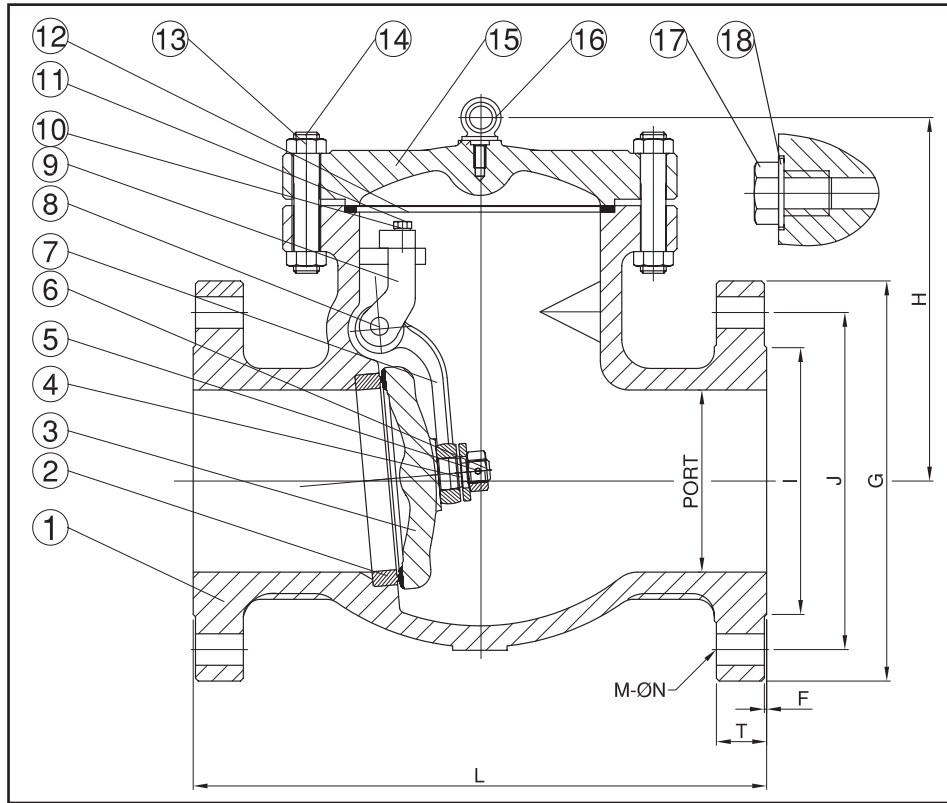
Standard Materials

NO	PART NAME	MATERIAL
1	Body	ASTM A216 Gr. WCB
2	Seat Ring	ASTM A105 + Hard Faced
3	Disc	ASTM A216 Gr. WCB + 13% CR Faced
4	Disc Thrust Plate	ASTM A276 Type 410
5	Disc Nut	ASTM A276 Type 410
6	Stem	ASTM A182 F6
7	Bonnet Bolt	ASTM A193 Gr. B7
8	Bonnet Bolt Nut	ASTM A194 Gr. 2H
9	Gasket	Soft Iron + Graphite
10	Bonnet Bushing	ASTM A276 Type 410
11	Gasket Ring	ASTM A276 Type 410
12	Packing	Braided Graphite + DF Graphite Ring
13	Bonnet	ASTM A216 Gr. WCB
14	Eye Bolt Pins	Carbon Steel
15	Gland	ASTM A276 Type 410
16	Gland Flange	ASTM A216 Gr. WCB
17	Gland Eye Bolts	ASTM A193 Gr. B7
18	Eye Bolt Nuts	ASTM A194 Gr. 2H
19	Yoke Sleeve	ASTM A439 Gr. D2
20	Screw	Carbon Steel
21	Handwheel	Malleable Iron
22	Handwheel Nut	Carbon Steel
23	Backing Ring	Carbon Steel

Dimensions (Inches)

SIZE	2"	2-1/2"	3"	4"	6"	8"
Port	1.969	2.559	3.15	3.937	5.906	7.874
L	10.512	11.496	12.52	14.016	17.48	22.008
H	13.74	14.961	16.142	20.63	22.677	36.535
E	7.874	9.843	11.811	13.78	17.717	22.047
Flange Dimensions	F	0.06	0.06	0.06	0.06	0.06
	G	6.5	7.5	8.25	10	12.5
	I	3.62	4.12	5	6.19	8.5
	J	5	5.88	6.62	7.88	10.62
	T	0.88	1	1.12	1.25	1.44
	M	8	8	8	8	12
	N	0.75	0.88	0.88	0.88	0.88
Wt. (LBS)	69	89	128	190	331	876

150# Carbon Steel Swing Check Valve



Standard Materials

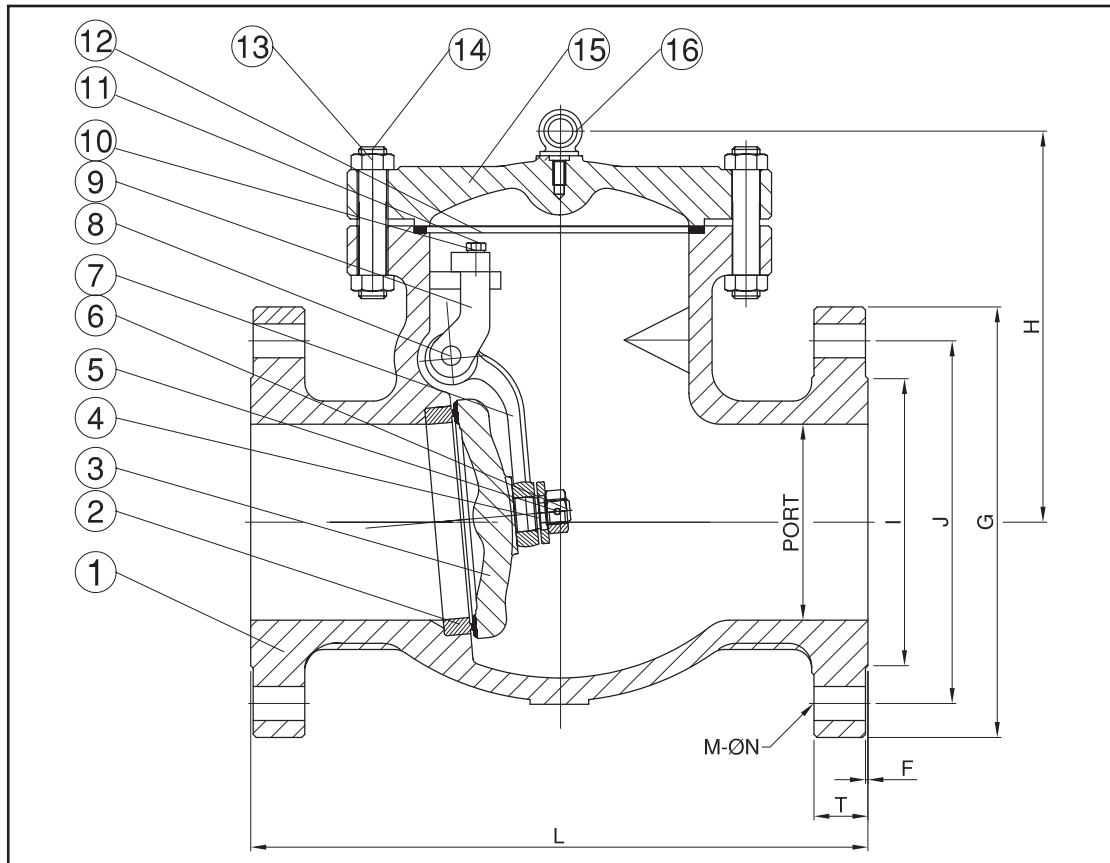
NO	PART NAME	MATERIAL	NO	PART NAME	MATERIAL
1	Body	ASTM A216 Gr. WCB	10	Washer	Carbon Steel (size 2 - 12 inch)
2	Seat Ring	316SS	11	Hex Bolt	Carbon Steel (size 2 - 12 inch)
3	Disc	ASTM A216 Gr. WCB + 13% CR Faced	12	Gasket	Soft Iron + Graphite
4	Disc Washer	Carbon Steel	13	Cover Bolt	ASTM A193 Gr. B7
5	Pin	ASTM A276 Type 410	14	Cover Bolt Nut	ASTM A194 Gr. 2H
6	Disc Nut	Carbon Steel	15	Cover	ASTM A216 Gr. WCB
7	Hinge	ASTM A216 Gr. WCB	16	Eye Bolt	ASTM A181
8	Hinge Pin	ASTM A276 Type 410	17	Plug	Carbon Steel (size 14 - 20 inch)
9	Yoke	ASTM A216 Gr. WCB (size 2 - 12 inch)	18	Spring Washer	Carbon Steel (size 14 - 20 inch)

Dimensions (Inches)

SIZE	2"	2-1/2"	3"	4"	6"	8"	10"	12"	14"	16"	18"	20"	
Port	1.969	2.559	3.15	3.937	5.906	7.874	9.843	11.811	13.78	15.748	17.717	19.685	
L	7.992	8.504	9.488	11.496	15.984	19.488	24.488	27.48	30.984	34.016	38.504	38.504	
H	6.496	7.008	7.323	8.543	10.472	12.52	14.488	15.984	17.008	19.016	23.622	25.984	
Flange Dimensions	F	0.06	0.06	0.06	0.06	0.06	0.06	0.06	0.06	0.06	0.06	0.06	
	G	6	7	7.5	9	11	13.5	16	19	21	23.5	27.5	
	I	3.62	4.12	5	6.19	8.5	10.62	12.75	15	16.25	18.5	21	23
	J	4.75	5.5	6	7.5	9.5	11.75	14.25	17	18.75	21.25	22.75	25
	T	0.75	0.88	0.94	0.94	1	1.12	1.19	1.25	1.38	1.44	1.56	1.69
	M	4	4	4	8	8	8	12	12	12	16	16	20
	N	0.75	0.75	0.75	0.75	0.88	0.88	1	1	1.12	1.12	1.25	1.25
Wt. (LBS)	42	58	64	106	170	294	587	765	995	1226	1729	1841	

Figure 572

300# CARBON STEEL SWING CHECK VALVE



Standard Materials

NO	PART NAME	MATERIAL	NO	PART NAME	MATERIAL
1	Body	ASTM A216 Gr. WCB	9	Yoke	ASTM A216 Gr. WCB
2	Seat Ring	316SS	10	Washer	Carbon Steel
3	Disc	ASTM A216 Gr. WCB + 13% CR Faced	11	Hex Bolt	Carbon Steel
4	Disc Washer	Carbon Steel	12	Gasket	Soft Iron + Graphite
5	Pin	ASTM A276 Type 410	13	Cover Bolt	ASTM A193 Gr. B7
6	Disc Nut	Carbon Steel	14	Cover Bolt Nut	ASTM A194 Gr. 2H
7	Hinge	ASTM A216 Gr. WCB	15	Cover	ASTM A216 Gr. WCB
8	Hinge Pin	ASTM A276 Type 410	16	Eye Bolt	ASTM A181

Dimensions (Inches)

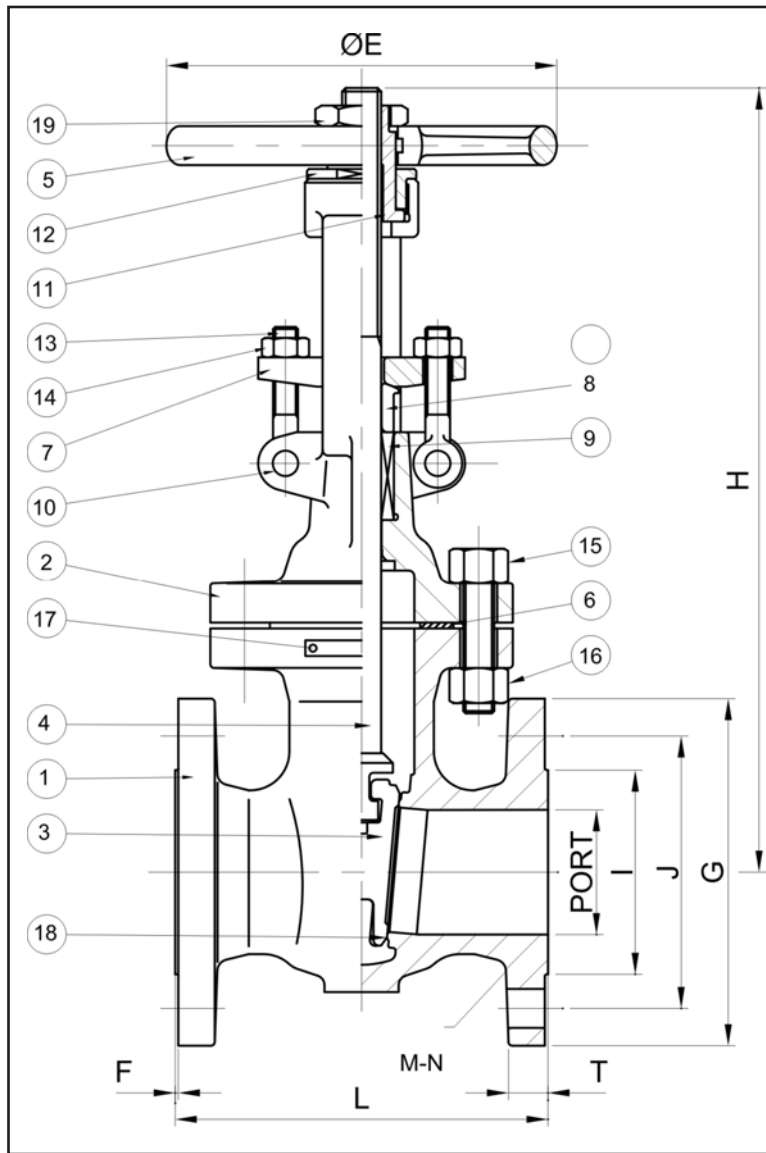
SIZE	2"	2-1/2"	3"	4"	6"	8"	10"	12"
Port	1.969	2.559	3.15	3.937	5.906	7.874	9.843	11.811
L	10.512	11.496	12.52	14.016	17.48	20.984	24.488	27.992
H	7.008	7.52	8.307	9.685	12.52	14.016	15.512	18.976
Flange Dimensions	F	0.06	0.06	0.06	0.06	0.06	0.06	0.06
	G	6.5	7.5	8.25	10	12.5	15	20.5
	I	3.62	4.12	5	6.19	8.5	10.62	12.75
	J	5	5.88	6.62	7.88	10.62	13	15.25
	T	0.88	1	1.12	1.25	1.44	1.62	1.88
	M	8	8	8	8	12	12	16
	N	0.75	0.88	0.88	0.88	0.88	1	1.12
	Wt. (LBS)	47	71	95	135	289	470	847

4120 N.E. Columbia Blvd. • Portland Oregon USA 97211
 Phone: 503-287-8383 • Fax: 503-281-9677 • www.fnwvalve.com

150# Stainless Steel OS&Y Gate Valve

Standard Materials

NO	PART NAME	MATERIAL
1	Body	ASTM A351 Gr. CF8M
2	Bonnet	ASTM A351 Gr. CF8M
3	Disc	ASTM A351 Gr. CF8M
4	Stem	ASTM A182 Gr. F316
5	Handwheel	ASTM A536
6	Gasket	PTFE
7	Gland Flange	ASTM A351 Gr. CF8
8	Gland	ASTM A351 Gr. CF8
9	Gland Packing	PTFE
10	Eye Bolt Pin	ASTM A276 Gr. 304
11	Stem Nut	ASTM A276 Gr. 410
12	Retainer Nut	SS 304
13	Eye Bolt	ASTM A193 Gr. B8
14	Eye Bolt Nut	ASTM A194 Gr. 8
15	Bonnet Bolt	ASTM A193 Gr. B8
16	Bonnet Bolt Nut	ASTM A194 Gr. 8
17	Name Plate	SS 304
18	Seat	ASTM A351 Gr. CF8M (integral)
19	Handwheel Nut	SS 304



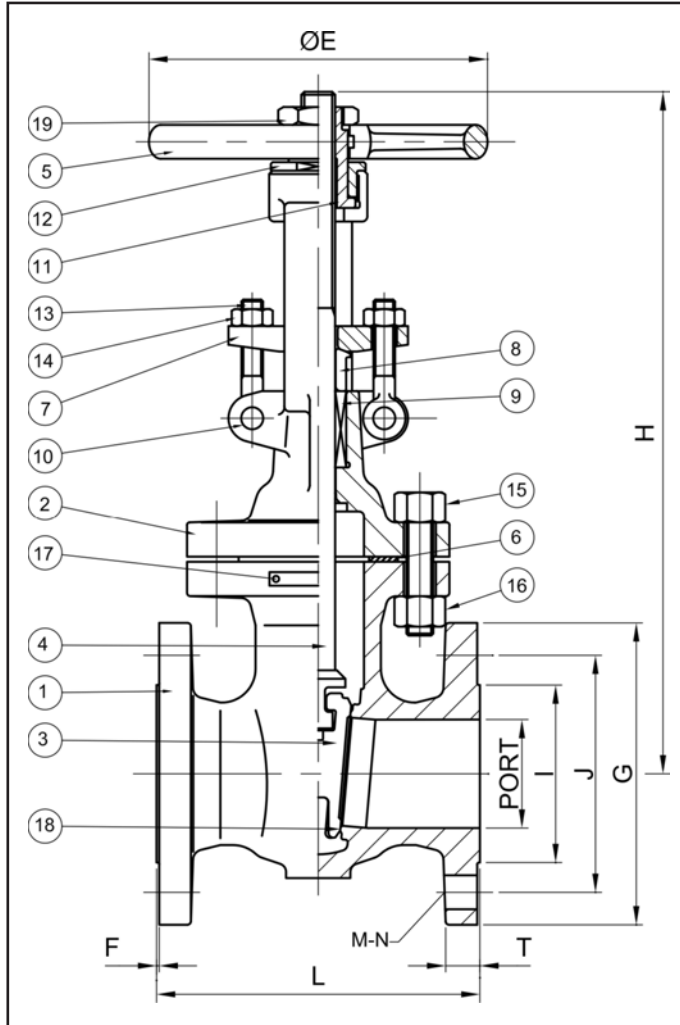
Dimensions (Inches)

SIZE	2"	2-1/2"	3"	4"	6"	8"	10"	12"
Port	2	2.5	3	4	6	8	10	12
L	7.008	7.52	7.992	9.016	10.512	11.496	12.992	14.016
H	13.307	15.669	17.913	21.457	29.134	37.126	45.079	53.071
E	5.906	5.906	7.874	9.843	11.811	11.811	13.78	15.748
Flange Dimensions	F	0.063	0.063	0.063	0.063	0.063	0.063	0.063
	G	6	7	7.5	9	11	13.5	16
	I	3.622	4.122	5	6.189	8.5	10.622	12.752
	J	4.752	5.5	6	7.502	9.5	11.752	14.252
	T	0.622	0.689	0.752	0.941	1	1.122	1.193
	M	4	4	4	8	8	8	12
	N	0.748	0.748	0.748	0.748	8.878	0.878	1
Wt. (LBS)	35	44	64	84	144	221	313	516

4120 N.E. Columbia Blvd. • Portland Oregon USA 97211
 Phone: 503-287-8383 • Fax: 503-281-9677 • www.fnwvalve.com

Figure 452

300# STAINLESS STEEL OS&Y GATE VALVE



Standard Materials

NO	PART NAME	MATERIAL
1	Body	ASTM A351 Gr. CF8M
2	Bonnet	ASTM A351 Gr. CF8M
3	Disc	ASTM A351 Gr. CF8M
4	Stem	ASTM A182 Gr. F316
5	Handwheel	ASTM A536
6	Gasket	PTFE
7	Gland Flange	ASTM A351 Gr. CF8
8	Gland	ASTM A351 Gr. CF8M
9	Gland Packing	PTFE
10	Eye Bolt Pin	ASTM A276 Gr. 304
11	Stem Nut	ASTM A276 Gr. 410
12	Retainer Nut	SS 304
13	Eye Bolt	ASTM A193 Gr. B8
14	Eye Bolt Nut	ASTM A194 Gr. 8
15	Bonnet Bolt	ASTM A193 Gr. B8
16	Bonnet Bolt Nut	ASTM A194 Gr. 8
17	Name Plate	SS 304
18	Seat	ASTM A351 Gr. CF8M (integral)
19	Handwheel Nut	SS 304

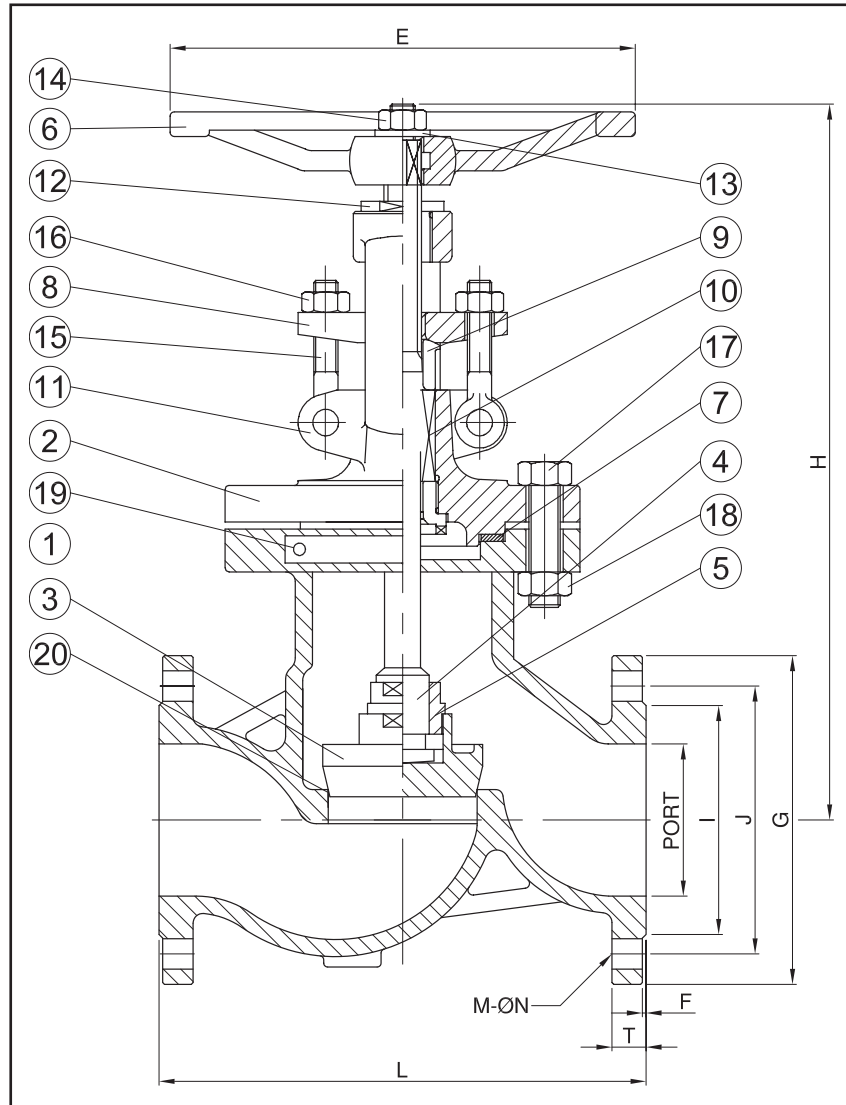
Dimensions (Inches)

SIZE	2"	2-1/2"	3"	4"	6"	8"	10"	12"
Port	2	2.5	3	4	6	8	10	12
L	8.504	9.488	11.102	12.008	15.866	16.496	17.992	19.764
H	18.11	20.079	21.654	24.567	33.071	41.063	50.787	62.52
E	7.874	9.843	9.843	11.811	13.78	15.748	17.717	19.685
Flange Dimensions	F	0.063	0.063	0.063	0.063	0.063	0.063	0.063
	G	6.5	7.5	8.25	10	12.5	17.5	20.5
	I	3.622	4.122	5	6.189	8.5	10.622	12.752
	J	5	5.882	6.618	7.882	10.622	13	15.252
	T	0.882	1	1.122	1.252	1.441	1.622	1.882
	M	8	8	8	8	12	12	16
	N	0.748	0.878	0.878	0.878	0.878	1	1.122
Wt. (LBS)	47	71	91	137	263	386	772	1036

150# Stainless Steel Globe Valve

Standard Materials

NO	PART NAME	MATERIAL
1	Body	ASTM A351 Gr. CF8M
2	Bonnet	ASTM A351 Gr. CF8M
3	Disc	ASTM A351 Gr. CF8M
4	Stem	ASTM A182 Gr. F316
5	Disc Nut	ASTM A276 Gr. 316
6	Handwheel	ASTM A536
7	Gasket	PTFE
8	Gland Flange	ASTM A351 Gr. CF8
9	Gland	ASTM A351 Gr. CF8M
10	Gland Packing	PTFE
11	Eye Bolt Pin	ASTM A276 Gr. 304
12	Stem Nut	ASTM A276 Gr. 410
13	Washer	ASTM A240 Gr. 304
14	Wheel Nut	SS 304
15	Eye Bolt	ASTM A193 Gr. B8
16	Eye Bolt Nut	ASTM A194 Gr. 8
17	Bonnet Bolt	ASTM A193 Gr. B8
18	Bonnet Bolt Nut	ASTM A194 Gr. 8
19	Name Plate	SS 304
20	Seat	ASTM A351 Gr. CF8M (integral)



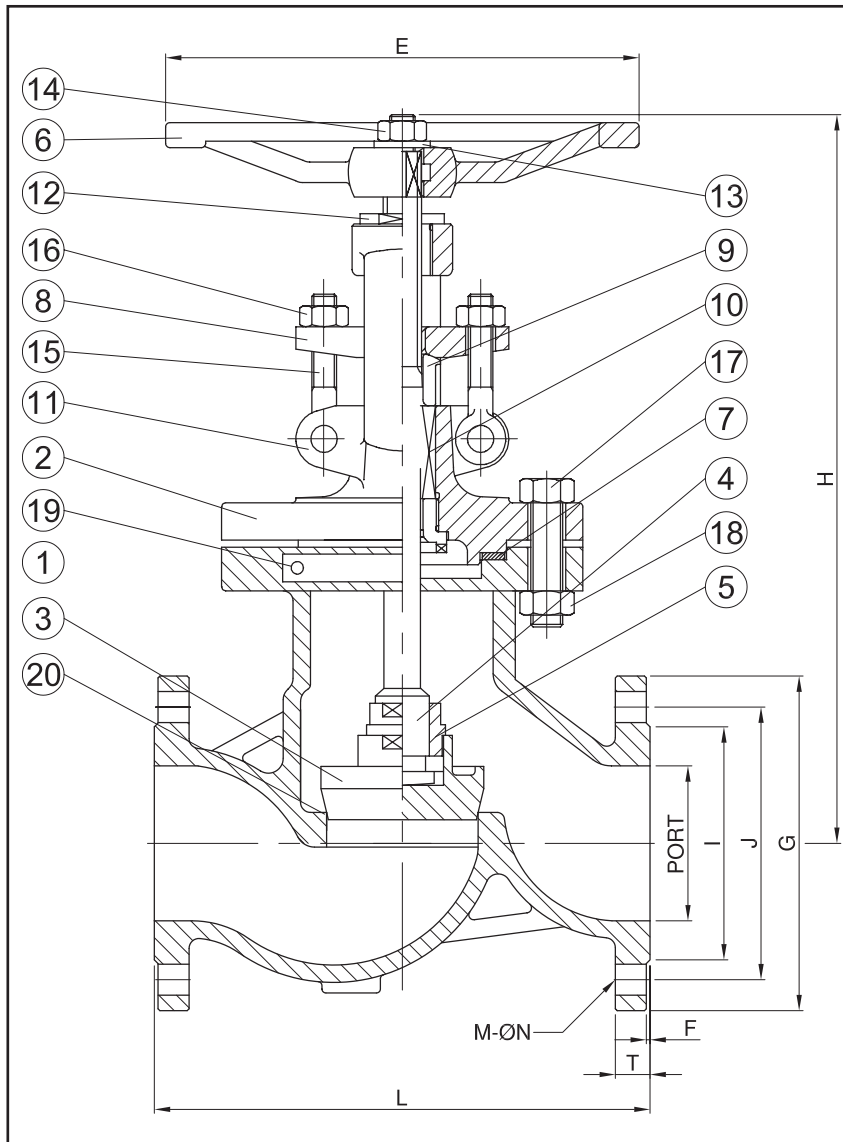
Dimensions (Inches)

SIZE	2"	2-1/2"	3"	4"	6"	8"	10"	12"
Port	2	2.5	3	4	6	8	10	12
L	7.992	8.504	9.488	11.496	15.984	19.488	24.488	27.52
H	12.559	13.425	14.961	16.378	21.063	24.173	28.937	32.362
E	7.874	9.843	9.843	11.811	15.748	17.717	21.654	23.622
Flange Dimensions	F	0.063	0.063	0.063	0.063	0.063	0.063	0.063
	G	6	7	7.5	9	11	13.5	16
	I	3.622	4.122	5	6.189	8.5	10.622	12.752
	J	4.752	5.5	6	7.502	9.5	11.752	14.252
	T	0.622	0.689	0.752	0.941	1	1.122	1.193
	M	4	4	4	8	8	8	12
	N	0.748	0.748	0.748	0.748	8.878	0.878	1
	Wt. (LBS)	28	44	47	91	144	265	474

4120 N.E. Columbia Blvd. • Portland Oregon USA 97211
 Phone: 503-287-8383 • Fax: 503-281-9677 • www.fnwvalve.com

Figure 462

300# Stainless Steel Globe Valve



Standard Materials

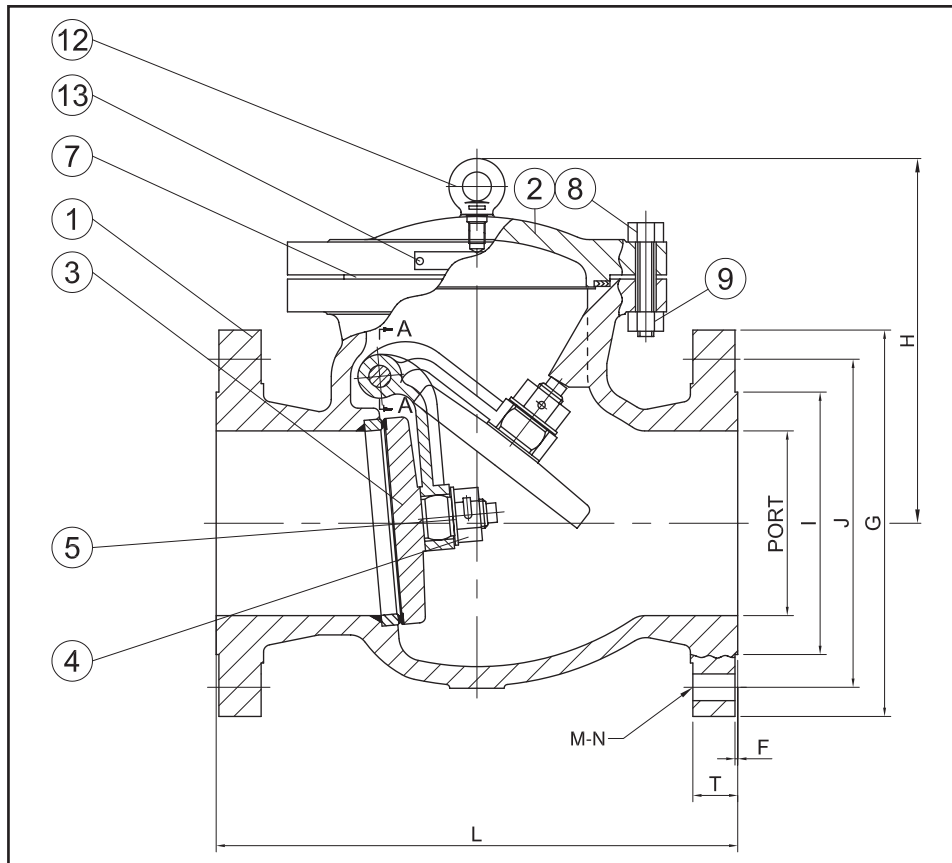
NO	PART NAME	MATERIAL
1	Body	ASTM A351 Gr. CF8M
2	Bonnet	ASTM A351 Gr. CF8M
3	Disc	ASTM A351 Gr. CF8M
4	Stem	ASTM A182 Gr. F316
5	Disc Nut	ASTM A276 Gr. 316
6	Handwheel	ASTM A536
7	Gasket	PTFE
8	Gland Flange	ASTM A351 Gr. CF8
9	Gland	ASTM A351 Gr. CF8M
10	Gland Packing	PTFE
11	Eye Bolt Pin	ASTM A276 Gr. 304
12	Stem Nut	ASTM A276 Gr. 410
13	Washer	ASTM A240 Gr. 304
14	Wheel Nut	SS 304
15	Eye Bolt	ASTM A193 Gr. B8
16	Eye Bolt Nut	ASTM A194 Gr. 8
17	Bonnet Bolt	ASTM A193 Gr. B8
18	Bonnet Bolt Nut	ASTM A194 Gr. 8
19	Name Plate	SS 304
20	Seat	ASTM A351 Gr. CF8M (integral)

Dimensions (Inches)

SIZE	2"	2-1/2"	3"	4"	6"	8"	10"
Port	2	2.5	3	4	6	8	10
L	10.512	11.496	12.52	14.016	17.52	22.008	24.488
H	16.614	18.425	20.472	23.898	30.866	34.173	41.024
E	7.874	9.843	11.811	11.811	15.748	19.985	23.622
Flange Dimensions	F	0.063	0.063	0.063	0.063	0.063	0.063
	G	6.5	7.5	8.25	10	12.5	17.5
	I	3.622	4.122	5	6.189	8.5	10.622
	J	5	5.882	6.618	7.882	10.622	13
	T	0.882	1	1.122	1.252	1.441	1.622
	M	8	8	8	8	12	12
	N	0.748	0.878	0.878	0.878	0.878	1
	Wt. (LBS)	66	88	133	188	331	882

4120 N.E. Columbia Blvd. • Portland Oregon USA 97211
 Phone: 503-287-8383 • Fax: 503-281-9677 • www.fnwvalve.com

150# Stainless Steel Swing Check Valve



Standard Materials

NO	PART NAME	MATERIAL	NO	PART NAME	MATERIAL
1	Body	ASTM A351 Gr. CF8M	8	Cover Bolt	ASTM A193 Gr. B8
2	Cover	ASTM A351 Gr. CF8M	9	Cover Bolt Nut	ASTM A194 Gr. 8
3	Disc	ASTM A351 Gr. CF8M	11	Hinge Pin	ASTM A276 Gr. 316
4	Disc Nut	ASTM A194 Gr. 8M	12	Eye Bolt	A36 + Zn Plate
5	Disc Washer	ASTM A276 Gr. 316	13	Name Plate	SS 304
6	Swing Arm	ASTM A351 Gr. CF8M			
7	Gasket	PTFE			

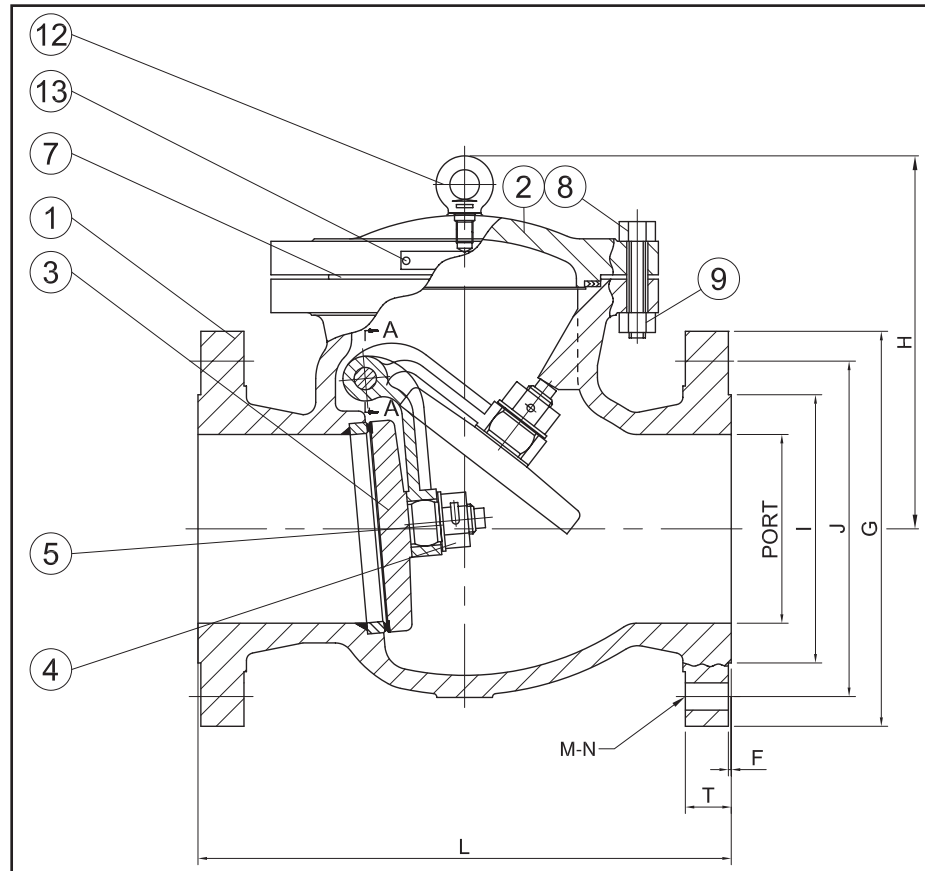
Dimensions (Inches)

SIZE	2"	2-1/2"	3"	4"	6"	8"	10"	12"
Port	2	2.5	3	4	6	8	10	12
L	7.992	8.504	9.488	11.496	14.016	19.488	24.488	27.52
H	5.591	5.827	6.339	7.362	11.299	14.213	15.472	16.85
Flange Dimensions	F	0.063	0.063	0.063	0.063	0.063	0.063	0.063
	G	6	7	7.5	9	11	13.5	16
	I	3.622	4.122	5	6.189	8.5	10.622	12.752
	J	4.752	5.5	6	7.502	9.5	11.752	14.252
	T	0.622	0.689	0.752	0.941	1	1.122	1.193
	M	4	4	4	8	8	8	12
	N	0.748	0.748	0.748	0.748	8.878	0.878	1
	Wt. (LBS)	24	31	45	68	119	181	305

4120 N.E. Columbia Blvd. • Portland Oregon USA 97211
 Phone: 503-287-8383 • Fax: 503-281-9677 • www.fnwvalve.com

Figure 472

300# Stainless Steel Swing Check Valve



Standard Materials

NO	PART NAME	MATERIAL	NO	PART NAME	MATERIAL
1	Body	ASTM A351 Gr. CF8M	8	Cover Bolt	ASTM A193 Gr. B8
2	Cover	ASTM A351 Gr. CF8M	9	Cover Bolt Nut	ASTM A194 Gr. 8
3	Disc	ASTM A351 Gr. CF8M	11	Hinge Pin	ASTM A276 Gr. 316
4	Disc Nut	ASTM A194 Gr. 8M	12	Eye Bolt	A36 + Zn Plate
5	Disc Washer	ASTM A216 Gr. 316	13	Name Plate	SS 304
6	Swing Arm	ASTM A351 Gr. CF8M			
7	Gasket	PTFE			

Dimensions (Inches)

SIZE	2"	2-1/2"	3"	4"	6"	8"	10"
Port	2	2.5	3	4	6	8	10
L	10.512	11.496	12.52	14.016	17.52	20.984	24.488
H	6.811	7.087	8.661	9.291	12.205	13.386	15.472
Flange Dimensions	F	0.063	0.063	0.063	0.063	0.063	0.063
	G	6.5	7.5	8.25	10	12.5	17.5
	I	3.622	4.122	5	6.189	8.5	10.622
	J	5	5.882	6.618	7.882	10.622	13
	T	0.882	1	1.122	1.252	1.441	1.622
	M	8	8	8	8	12	12
	N	0.748	0.878	0.878	0.878	0.878	1
Wt. (LBS)	41	55	79	111	192	276	375

4120 N.E. Columbia Blvd. • Portland Oregon USA 97211
 Phone: 503-287-8383 • Fax: 503-281-9677 • www.fnwvalve.com



DOC: FNWFGGCV05 Ver. 4/06

© 2006 - FNW. All rights reserved.

The FNW logo is a registered trademark of Ferguson Enterprises, Inc.

The contents of this publication are presented for information purposes only, and while effort has been made to insure their accuracy, they are not to be construed as warranties or guarantees, expressed or implied, regarding the products or services described herein or their use or applicability. All sales are governed by our terms and conditions, which are available on request. We reserve the right to modify or improve the designs or specifications of our products at any time without notice.