

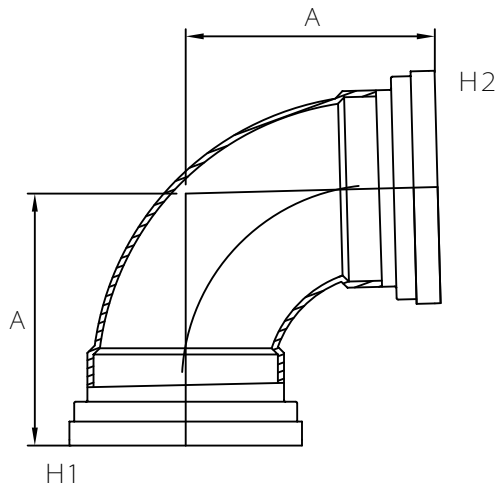


MULTI FITTINGS

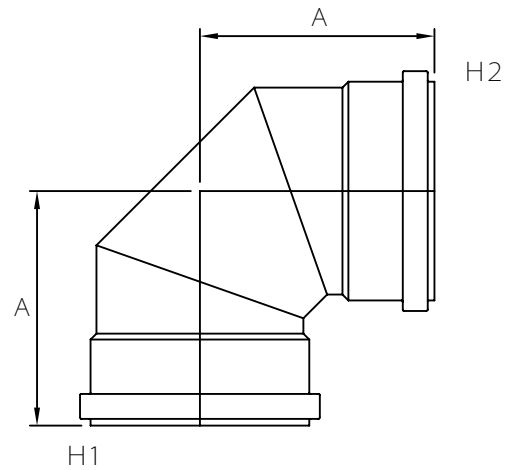
# LAYING LENGTH

ISSUE DATE: OCT 30/17  
SUPERCEDES: MAR 11/05

## 90 ° LONG ELBOW (GxG) (1/4 BEND)



INJECTION MOLDED FITTING (M)



FABRICATED FITTING (F)

	SIZE H1xH2	PART NUMBER	A REF
M =	4x4	063214	5.750
M =	6x6	043229	8.250
P	8x8	043224	-
P	10x10	043057	-
F @	15x15	043220	20.000
F @	18x18	043239	31.500
F @	21x21	043955	36.000
F @	24x24	043989	37.000
F @	27x27	043204	46.000

Note: = Refer to Page G4 for Hub Detail, Type A  
@ Refer to Page G5 for Hub Detail, Fabricated