

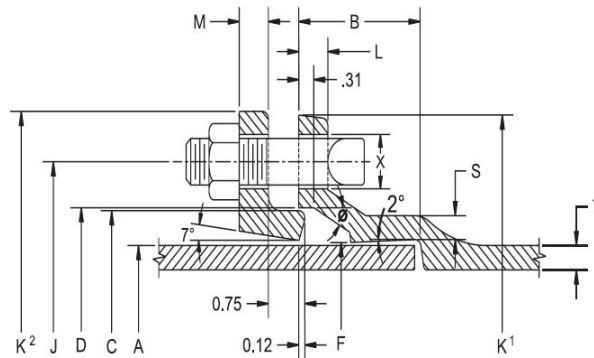
DOMESTIC

NON-DOMESTIC

## SUBMITTAL: C153 MECHANICAL JOINT PRODUCT

(Current revisions for the noted Standards apply)

- SIZES:** 2" - 64" (2" not included in ANSI/AWWA C153 standard)
- STANDARDS:** ANSI/AWWA C153/A21.53, NFPA13/24, 3"-16" UL and 3"-10" FM listed & approved (File - Tyler Union)
- MATERIAL:** Cast of ASTM A536 qualified ductile iron. Date code is cast on and required for traceability.
- PRESSURE RATING:** \*Flanged fittings rated at 250 psi. Mechanical joints 2" – 24" rated at 350 psi and 30" – 48" at 250 psi.  
\*Note: With rubber annular ring flange gasket, 2" – 24" Flanged fittings can be rated at 350 psi.  
Note: Wyes over 12" are not pressure rated. Contact Tyler Union for rating in your application.
- DEFLECTION:** Joint deflection 5° max for 2"– 12" and 3° max for 14"– 48". Reduces by 50% at nominal pipe & fitting diameters
- NSF-61 & NSF372:** Meets all requirements including Annex G, Tyler Union's Underwriters Laboratory listing MH16439.
- ASPHALT COATING:** Per ANSI/AWWA C104/A21.4 and ANSI/AWWA C153/A21.53.
- CEMENT LINING:** Per ANSI/AWWA C104/A21.4, with double cement lining available upon request.
- EPOXY COATING:** Fusion bonded epoxy per ANSI/AWWA C116/A21.16. Additional coatings available upon request.
- BARE FITTINGS:** Available upon request.
- FASTNERS:** High strength low alloy weathering steel per ANSI/AWWA C111/A21.11 and ASTM A242
- INSTALLATION:** Install per AWWA C600/C651 using pipe conforming to ANSI/AWWA C151/A21.51 or AWWA C900/905.

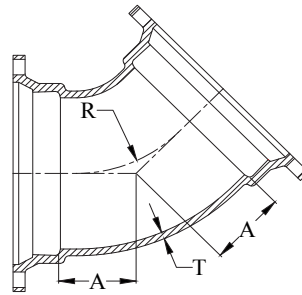
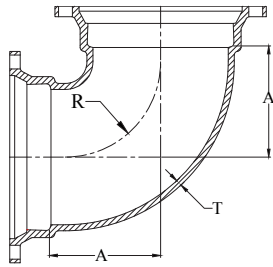


**NOMINAL JOINT DIMENSIONS IN INCHES**

**BOLTS**

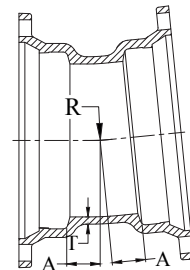
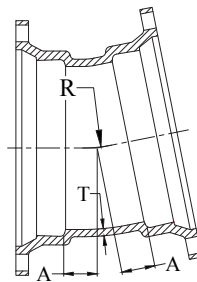
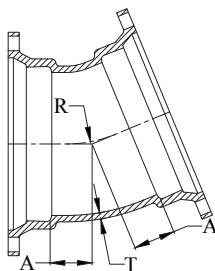
Size Inches	A Dia. DI Pipe	B Hub Depth	C Dia. GLAND	D Dia.	F Dia.	J Dia. GLAND	K <sup>1</sup> Dia.	K <sup>2</sup> Dia. GLAND	L	M GLAND	S	T	X	Size	Qty.
2	2.51	2.50	3.50	3.60	2.61	4.75	6.19	6.89	0.58	0.62	0.36	0.30	3/4	5/8x3	2
3	3.96	2.50	4.84	4.94	4.06	6.19	7.62	7.69	0.58	0.62	0.39	0.33	3/4	5/8x3	4
4	4.80	2.50	5.92	6.02	4.90	7.50	9.06	9.12	0.60	0.75	0.39	0.34	7/8	3/4x3-1/2	4
6	6.90	2.50	8.02	8.12	7.00	9.50	11.06	11.12	0.63	0.88	0.43	0.36	7/8	3/4x3-1/2	6
8	9.05	2.50	10.17	10.27	9.15	11.75	13.31	13.37	0.66	1.00	0.45	0.38	7/8	3/4x4	6
10	11.10	2.50	12.22	12.34	11.20	14.00	15.62	15.62	0.70	1.00	0.47	0.40	7/8	3/4x4	8
12	13.20	2.50	14.32	14.44	13.30	16.25	17.88	17.88	0.73	1.00	0.49	0.42	7/8	3/4x4	8
14	15.30	3.50	16.40	16.54	15.44	18.75	20.31	20.25	0.79	1.25	0.55	0.47	7/8	3/4x4-1/2	10
16	17.40	3.50	18.50	18.64	17.54	21.00	22.56	22.50	0.85	1.31	0.58	0.50	7/8	3/4x4-1/2	12
18	19.50	3.50	20.60	20.74	19.64	23.25	24.83	24.75	1.00	1.38	0.68	0.54	7/8	3/4x4-1/2	12
20	21.60	3.50	22.70	22.84	21.74	25.50	27.08	27.00	1.02	1.44	0.69	0.57	7/8	3/4x4-1/2	14
24	25.80	3.50	26.90	27.04	25.94	30.00	31.58	31.50	1.02	1.56	0.75	0.61	7/8	3/4x5	16
30	32.00	4.50	33.29	33.46	32.17	36.88	39.12	39.12	1.31	2.00	0.82	0.66	1-1/8	1x6	20
36	38.30	4.50	39.59	39.76	38.47	43.75	46.00	46.00	1.45	2.00	1.00	0.74	1-1/8	1x6	24
42	44.50	4.50	45.79	45.96	44.67	50.62	53.12	53.12	1.45	2.00	1.25	0.82	1-3/8	1-1/4x6-1/2	28
48	50.80	4.50	52.09	52.26	50.97	57.50	60.00	60.00	1.45	2.00	1.35	0.90	1-3/8	1-1/4x6-1/2	32
54	Available on Request														
60	Available on Request														
64	Available on Request														

**C153 DUCTILE IRON COMPACT FITTINGS**



90° Bends (1/4)								45° Bends (1/8)					
Domestic				Import				Domestic			Import		
Size	T	A	R	Weight	T	A	Weight	A	R	Weight	A	Weight	
3	0.34	3.50	2.50	26	0.33	3.50	19	2.00	2.41	17	1.50	16	
4	0.35	4.00	3.00	26	0.34	4.00	24	2.50	3.56	22	2.00	22	
6	0.37	6.00	5.00	45	0.36	5.00	39	3.50	7.25	38	3.00	32	
8	0.39	7.00	6.00	62	0.38	6.50	57	4.00	8.44	51	3.50	46	
10	0.41	7.50	6.50	89	0.40	7.50	89	5.00	10.88	75	4.50	70	
12	0.43	9.00	8.00	114	0.42	9.00	108	5.98	13.25	108	5.50	86	
14	0.51	12.00	11.50	210	0.47	11.50	210	5.50	12.06	156	5.00	160	
16	0.52	13.00	12.50	268	0.50	12.50	264	5.50	10.42	191	5.50	202	
18	0.59	15.50	14.00	375	0.54	14.00	335	6.00	11.18	252	6.00	250	
20	0.60	17.00	15.50	443	0.57	15.00	400	7.00	13.59	303	7.00	305	
24	0.62	17.00	15.50	663	0.61	16.75	565	7.50	14.89	398	7.50	405	
30	0.66	21.50	19.00	1005	0.66	21.50	930	10.50	9.31	850	10.50	780	
36	0.74	24.50	22.00	1540	0.74	24.50	1450	11.50	21.73	1135	11.50	1135	
42	0.82	29.25	26.70	2380	0.82	29.25	2205	14.00	27.76	1675	14.00	1610	
48	0.90	33.25	30.80	3084	0.90	33.25	2990	15.00	30.17	2196	15.00	2090	

\*\*NOTE: Other sizes available, contact Tyler Union for information



22½° Bends (1/16)						11¼° Bends (1/32)						5 - 5/8 Bends (1/64) MJ x MJ					
Domestic			Import			Domestic			Import			Import					
Size	A	R	Weight	A	Weight	A	R	Weight	A	Weight	A	R	Weight				
3	1.50	2.51	16	1.00	15	1.25	2.53	15	1.00	14	1.25	5.08	16				
4	1.75	3.81	21	1.50	18	1.50	5.12	21	1.30	16	1.50	7.61	18				
6	2.25	6.35	31	2.00	31	1.50	5.12	30	1.50	30	1.50	10.15	29				
8	2.85	11.80	44	2.50	46	2.06	15.80	43	1.80	42	1.75	12.69	45				
10	3.35	14.35	67	3.00	64	2.32	18.36	58	2.00	58	2.00	15.23	59				
12	3.86	16.90	81	3.50	80	2.56	20.90	68	2.30	67	2.30	17.77	82				
14	3.93	17.25	139	3.75	136	2.59	21.25	123	2.50	93	2.50	20.31	136				
16	3.98	17.50	172	3.75	172	2.62	21.50	145	2.50	148	2.50	20.31	157				
18	4.50	15.11	275	4.50	255	3.00	16.52	205	3.00	205	3.00	25.38	283				
20	4.50	15.07	341	4.50	310	3.00	15.23	245	3.00	245	3.00	25.38	374				
24	4.50	15.51	333	4.50	366	3.00	16.10	304	3.00	315	3.00	25.38	487				
30	6.75	21.36	670	6.75	665	4.75	22.84	551	4.80	600	3.75	32.97	600				
36	7.75	26.39	978	7.75	960	5.00	25.38	870	5.00	820	4.00	34.55	820				
42	9.00	32.68	1352	9.00	1350	6.00	35.54	1163	6.00	1180	5.00	42.71	1180				
48	10.00	27.70	1757	10.00	1760	6.50	40.61	1474	6.50	1475	5.50	47.35	1475				

NOTE: Contact Tyler Union for details on 54" through 64" NOTE: For projects where product weights, specifications or dimensions are critical, advise upon order placement.