

Figure 200A STAINLESS STEEL BALL VALVES



2 PC FULL PORT 1000 CWP

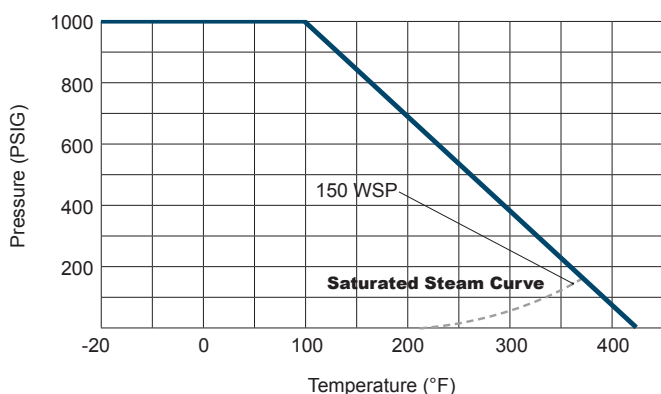
Features:

- 1000 PSI CWP Non-Shock
- 150 PSI WSP
- Full Port
- Blow-out Proof Stem
- Adjustable Packing
- Investment Cast Body
- Threaded NPT Ends
- Stainless Steel Handle
- Locking Lever
- RTFE Seats
- Vented Ball
- Manufactured Silicone Free



Standards:

- Design: ASME B16.34, MSS SP-110
- End Connections: ASME B1.20.1
- Seat/Shell Test: MSS SP-110



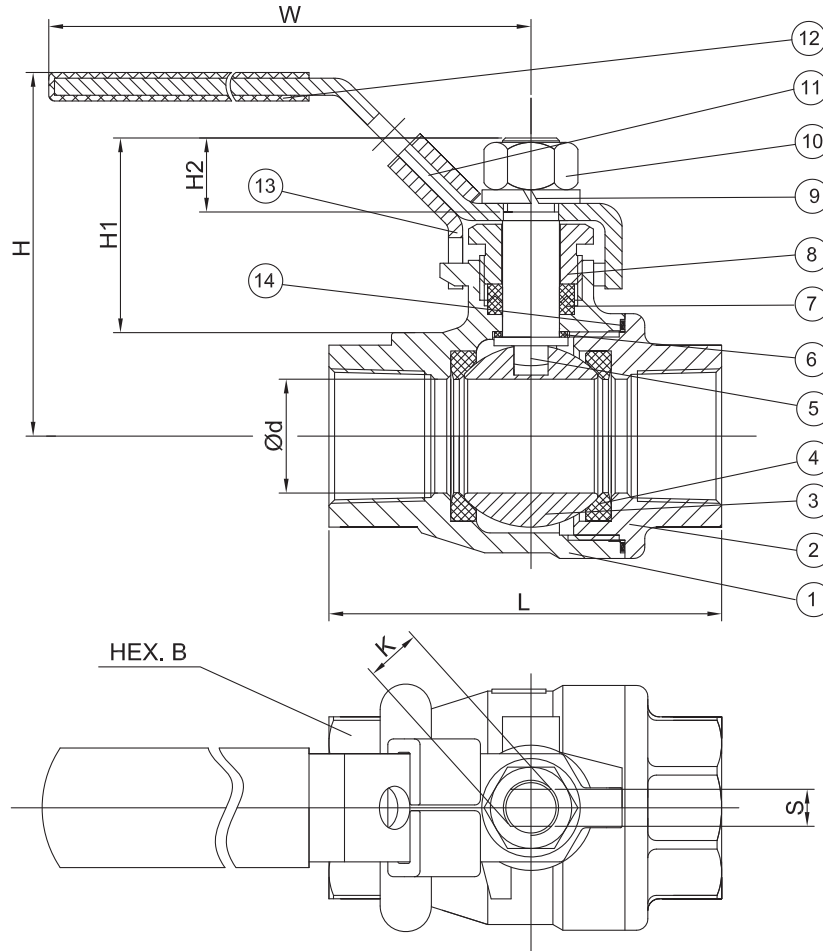
Cv, Torque & Weight

Size	Cv	Torque (in-lbs)	Wt (lbs)
1/4	15	60	0.73
3/8	15	60	0.68
1/2	18	66	0.75
3/4	36	80	1.14
1	48	146	1.94
1-1/4	58	252	2.82
1-1/2	120	344	4.12
2	190	503	6.48

Figure Number Matrix

FNW 200A Size	
SIZE CODE	
1/4 = B	1 = G
3/8 = C	1-1/4 = H
1/2 = D	1-1/2 = J
3/4 = F	2 = K

2 PC FULL PORT 1000 CWP



Dimensions (inches)

SIZE	Ød	L	H1	H2	H	W	K (UNC)	S	B
1/4	0.42	2.28	1.13	0.43	2.28	3.94	5/16-18	0.197	0.93
3/8	0.47	2.28	1.13	0.43	2.28	3.94	5/16-18	0.197	0.93
1/2	0.59	2.44	1.05	0.38	2.28	3.94	5/16-18	0.197	0.98
3/4	0.79	2.85	1.35	0.49	2.52	5.08	3/8-16	0.256	1.26
1	0.98	3.35	1.51	0.62	3.03	6.14	7/16-14	0.314	1.61
1-1/4	1.26	3.70	1.46	0.55	3.27	6.14	7/16-14	0.314	1.97
1-1/2	1.50	4.13	1.96	0.89	3.78	7.19	5/8-11	0.394	2.20
2	1.97	4.92	1.91	0.89	4.02	7.19	5/8-11	0.394	2.76

Standard Materials

Ref. No.	Description	Material	Qty
1	Body	ASTM A351 Gr. CF8M Stainless	1
2	End Cap	ASTM A351 Gr. CF8M Stainless	1
3	Ball	316SS Stainless	1
4	Seat	RTFE	2
5	Stem	316SS Stainless	1
6	Thrust Washer	PTFE	1
7	V-Ring Packing	PTFE	1 Set
8	Gland Nut	304SS Stainless	1
9	Stem Washer	304SS Stainless	1
10	Stem Nut	ASTM A194-8 Stainless	1
11	Handle	304SS Stainless	1
12	Handle Sleeve	Vinyl Plastic	1
13	Locking Device	304SS Stainless	1
14	Body Gasket	PTFE	1