

FY-691 / FY-692 BRASS HOSE BIBB

- ❖ Rough Brass Or Chrome Plated Finish
- ❖ Plain End Outlet ❖ 1/2" MIP Inlet

Product Spec Sheet

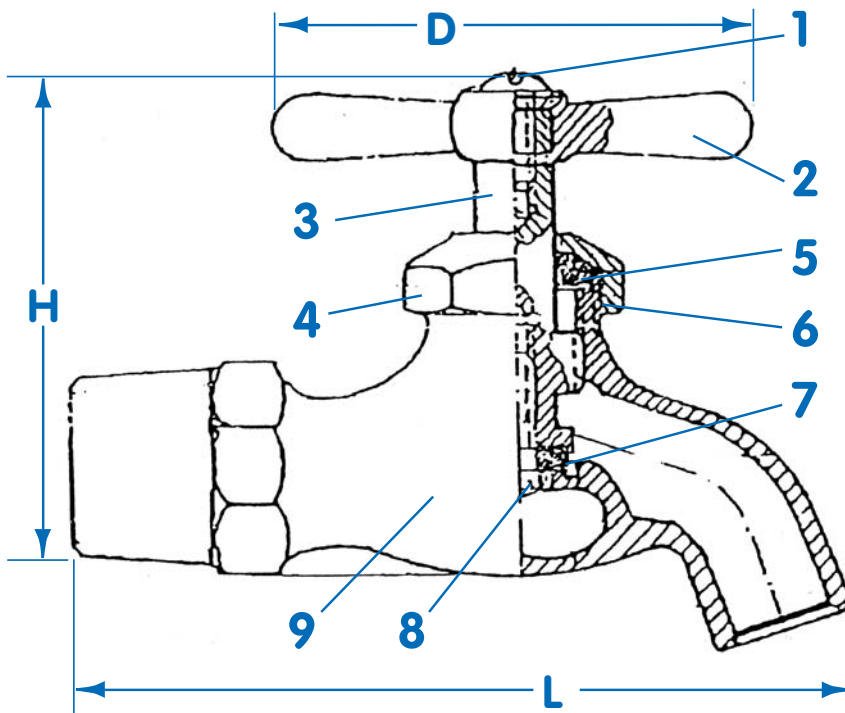


MATERIAL SPECIFICATIONS

NO.	Part	Material
1	Bolt	Iron
2	Handle	Zinc
3	Stem	Brass
4	Packing Nut	Brass
5	Packing	Rubber
6	Washer	Stainless Steel
7	Seat Washer	Rubber
8	Seat Screw	Brass
9	Body	Brass
10	Flange	Brass

DIMENSIONS

SIZE	H	D	L
1/2" MIP	2.29	2.21	3.35



Brewster, NY
 TEL: 800-431-2082
 FAX: 800-640-2252

Houston, TX
 TEL: 800-935-5456
 FAX: 800-683-4247

La Palma, CA
 TEL: 866-532-8306
 FAX: 866-532-8307

Americus, GA
 TEL: 800-433-7526
 FAX: 800-533-5134

e-mail: mail@matco-norca.com

www.matco-norca.com