

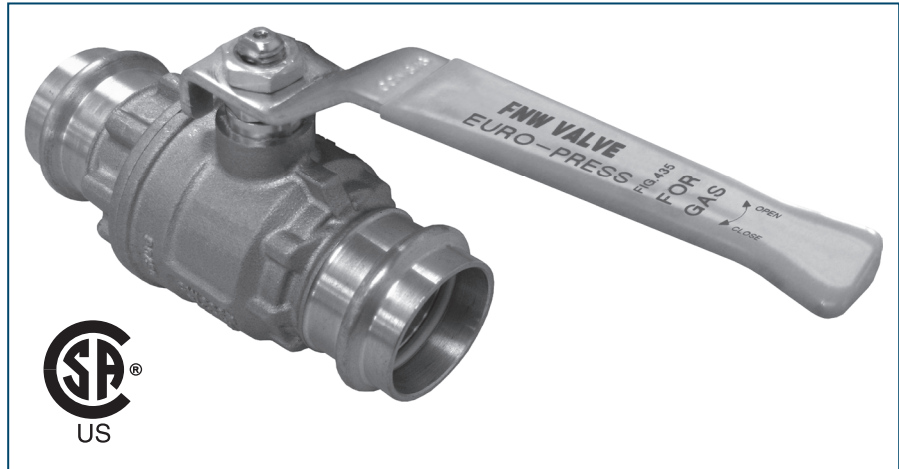
Figure 435 BRASS BODY BALL VALVES



2 PC FULL PORT GAS SERVICE VALVE w/PRESS ENDS

The FNW figure 435 press valve for gas service is suggested for all applications where labor and time savings is a must. The figure 435 valve allows quick installation on copper pipelines meeting ASTM B88 standards*. The structure of the valve, made in dezincification resistant brass, provides excellent corrosion resistance particularly in the connection areas of the pipeline.

* Note that the gas approvals covering this valve are for connection to copper pipe only.



Features:

- 125 PSI Max. Working Pressure for CSA Approval
- Full Port
- -4°F Minimum to 140°F Maximum Temperature at Maximum Pressure
- Press Ends
- Conforms to MSS SP-110 *
- CSA Certified for Gas Applications
- True 2-Piece Design
- No Soldered-In End Pieces
- Blow-out Proof Stem
- Adjustable Packing
- Secondary O-ring Stem Seal
- Forged Brass Body & End Cap
- 100% Electronically Tested in Open and Closed Position at 80 PSI
- Uses The Same Handle Accessories As The Figure 420 Ball Valve
- Sizes 1/2" to 2"

* The current specification SP-110-1996 does not address the new technology of press end connections. Other than this exception, the valve meets the design criteria of the specification.

It is recommended to use the valve in open/close applications, not mid or modulating services. In addition, the valve should be operated at least twice a year.



Figure Number Matrix

FNW 435		Size
SIZE CODE		
1/2 = D	1-1/4 = H	
3/4 = F	1-1/2 = J	
1 = G	2 = K	

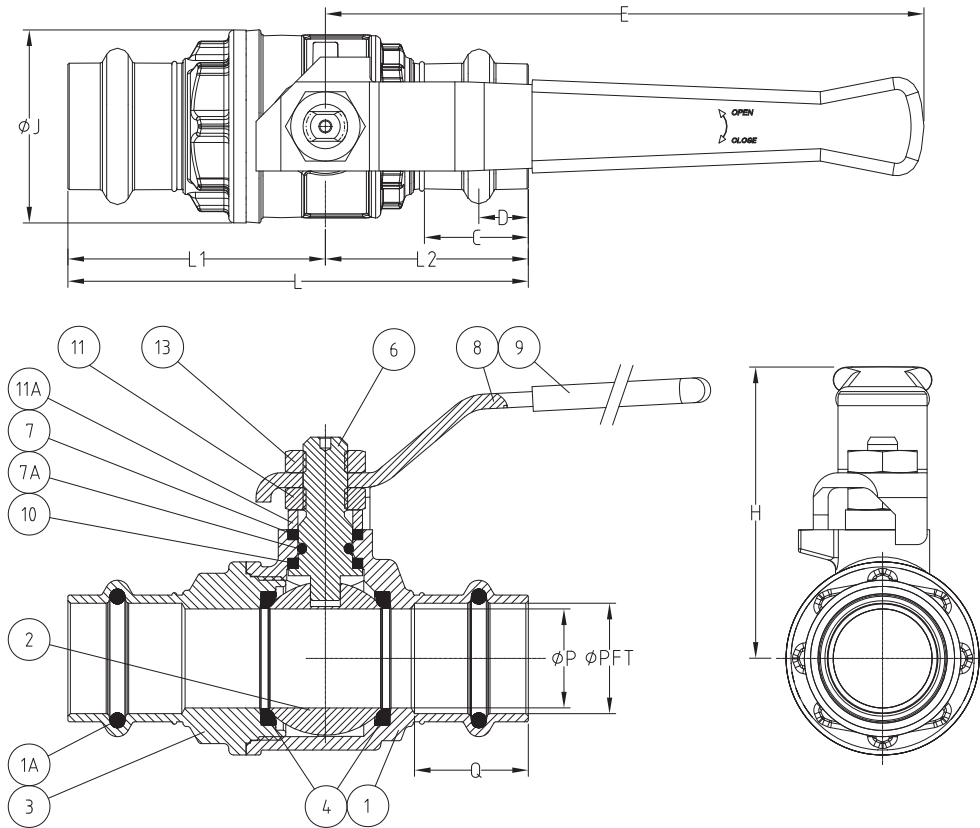
Cv & Weights

Size	Cv	Wt (Lbs)
1/2	18	0.49
3/4	34	0.82
1	49	1.25
1-1/4	102	1.98
1-1/2	265	3.40
2	306	4.50

Kit Codes (Order Separately)

FNW 420		Kit	Size
KIT TYPE		SIZE CODE	
Locking Handle = LHK		1/2" = BD	
Stem Extension = SE		3/4"-1" = FG	
Tee Handle = THK		1-1/4"-1-1/2" = HJ	
Oval Handle = OHK		2" = K	
Memory Stop = MSK			
Stainless Handle = SSHK			

2 PC FULL PORT GAS SERVICE VALVE w/PRESS ENDS



Standard Size Dimensions (Inches)

Size	E	H	ØJ	ØP	ØPFT	C	D	Q	L	L1	L2
1/2	3.86	1.89	1.30	0.59	0.63	0.67	0.31	0.71	3.13	1.71	1.42
3/4	4.80	2.28	1.54	0.79	0.88	0.83	0.39	0.91	3.66	2.05	1.61
1	4.80	2.44	1.93	0.98	1.13	0.83	0.39	0.94	4.13	2.32	1.81
1-1/4	6.02	3.07	2.32	1.26	1.38	0.83	0.39	1.02	4.41	2.44	1.97
1-1/2	6.02	3.35	2.87	1.57	1.63	1.02	0.49	1.42	5.63	2.91	2.72
2	6.38	3.80	3.39	1.95	2.13	1.20	0.59	1.57	6.52	3.41	3.11

Standard Materials

Ref. No.	Description	Material	Qty
1	Body	Brass CW 602N UNI EN 12165	1
1A	O-ring	Rubber NBR	2
2	Ball	Brass CW 617N UNI EN 12165 (Nickel-Chrome Plated)	1
3	End Cap	Brass CW 602N UNI EN 12165	1
4	Seat	PTFE	2
6	Stem	Brass CW 614N UNI EN 12164 NP	1
7	Stem Packing	PTFE	1
7A	Stem O-ring	NBR	1
8	Handle	Steel Fe DD11 UNI EN 10111 ZP	1
9	Handle Cover	Vinyl	1
10	Thrust Washer	PTFE	2
11	Gland Nut	Steel, Class 4 ZP	1
11A	Packing Gland	Brass CW 614N UNI EN 12164 NP	1
13	Handle Nut	Steel, Class 4 ZP	1