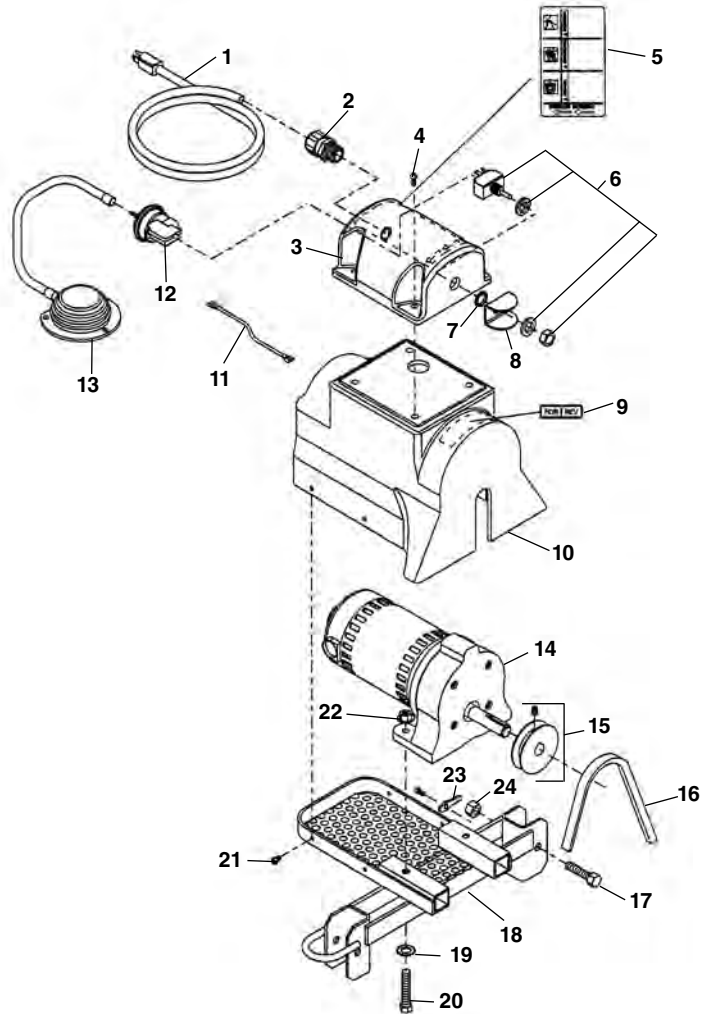


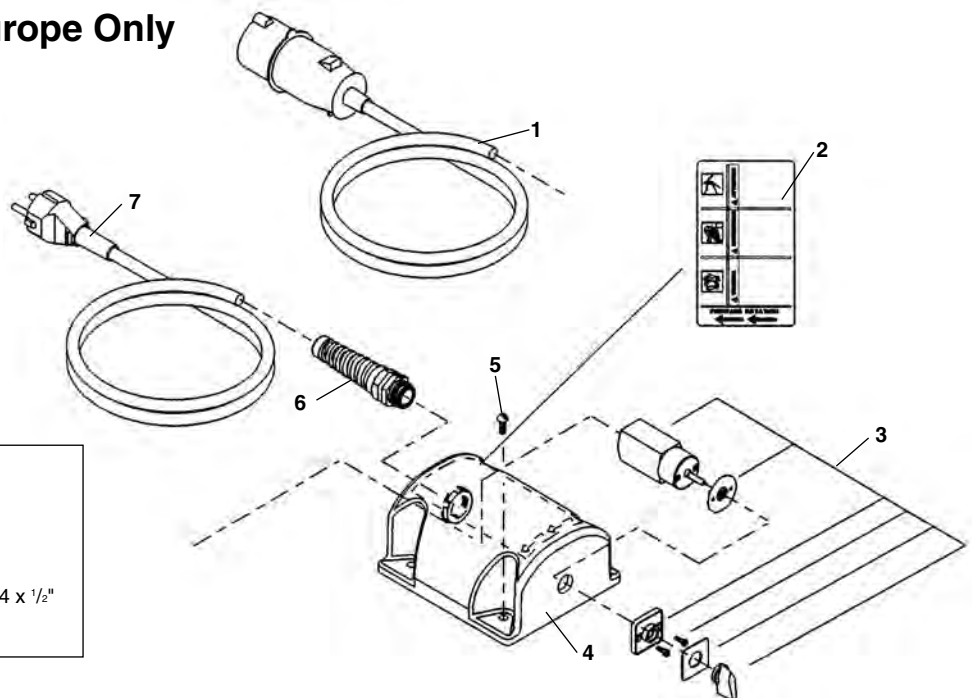
**Motor Table**

**NOTE: Order parts by Catalog Number only.  
DO NOT order by Reference Number.**

Ref. No.	Catalog No.	Description
1	50507	Line Cord w/GFI
2	96265	Strain Relief
3	60387	Switch Cover
4	43962	Screw #10 - 24 x 3/4" (8)
5	60767	Safety Sticker
6	56252	Switch
7	23512	Rubber Washer
8	61490	Switch Guard
9	23687	FOR/REV Label
10	60392	Motor Cover
11	61477	Connecting Wire
12	32992	Air Switch
13	60462	Foot Switch Assembly
14	72587	115V Motor/Gearbox Assembly
	72582	230V Motor/Gearbox Assembly
15	60407	Pulley
16	60412	V-Belt
17	43992	Screw 3/8" - 16 x 2"
18	60417	Motor Table
19	61445	Lock Washer 5/16"
20	43757	Screw 5/16" - 18 x 2 (2)
21	36787	Screw #10 - 24 (5)
22	27517	Lock Nut 5/16" - 18 (18)
23	62857	Bonding Braid
24	79985	Lock Nut 3/8"



**Electrical Components Europe Only**



Ref. No.	Catalog No.	Description
1	45022	Line Cord 110V Europe
2	62837	Warning Label Europe
3	54157	Switch Rotary
4	62832	Switch Cap - Rotary
5	43962	Round Hd. Scr. #10 - 24 x 1/2"
6	29788	Strain Relief
7	39562	230V Line Cord