

**RESILIENT
WEDGE VALVES**

CLOW VALVE COMPANY

**CLOW AWWA Resilient Wedge Gate Valves
Meet or Exceed the Requirements of
AWWA Standard C515**

Size Range	Water Working Pressure psi	Bubble Tight Test psi	Hydrostatic Shell Test psi
AWWA 4"-48"	250	250	500
ULFM 4"-16"	200	200	400

Available in either non-rising stem, outside screw & yoke.

Available End Connections & Size Range

Figure No.

FLG End (NRS)	4"-48"	F-6102
M.J.	4"-48"(except 2 1/2")	F-6100
FLG & M.J.	4"-48"	F-6106
Push-on for PVC (SDR)	4"-12"	F-6110
FLG End (OS & Y)	4"-24"	F-6136
M.J. for Tapping	4"-24"	F-6114
Tyton for D.I. & C900 PVC	4"-12" & 16"	F-6112
M.J. Cutting-in	4"-12"	F-6111
Tyton for D.I. X FLG	4"-12"	F-6113

Accessories (Illustrated in the Gate Valve Section)

Indicator Posts	2" Sq. Operating Nuts
Enclosed Gearing (14"-24")	Handwheels
"T" Handles	Extension Stems
Stem Guides	Floor Boxes
Electric Motor Actuators	Chain Wheels
Floorstands (non-rising stem)	

NOTE:

It is recommended that valves be installed with stems vertical when used in raw sewage or sludge applications or in water with excessive sediment.

MODEL 2638 AWWA C515 REDUCED WALL DUCTILE IRON

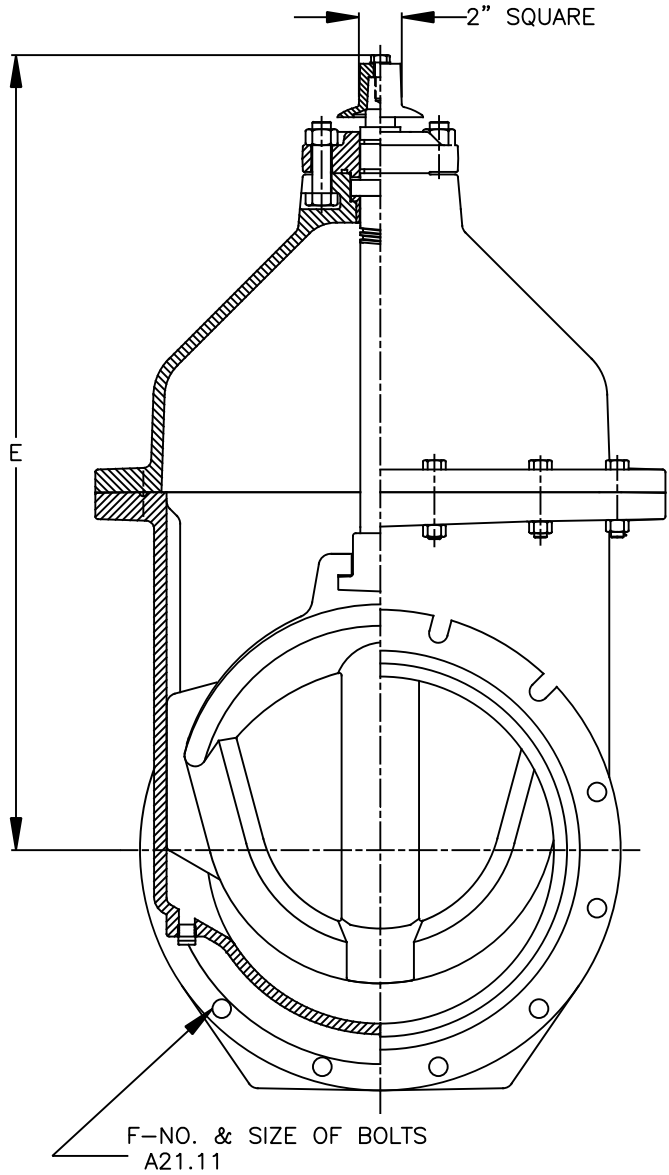
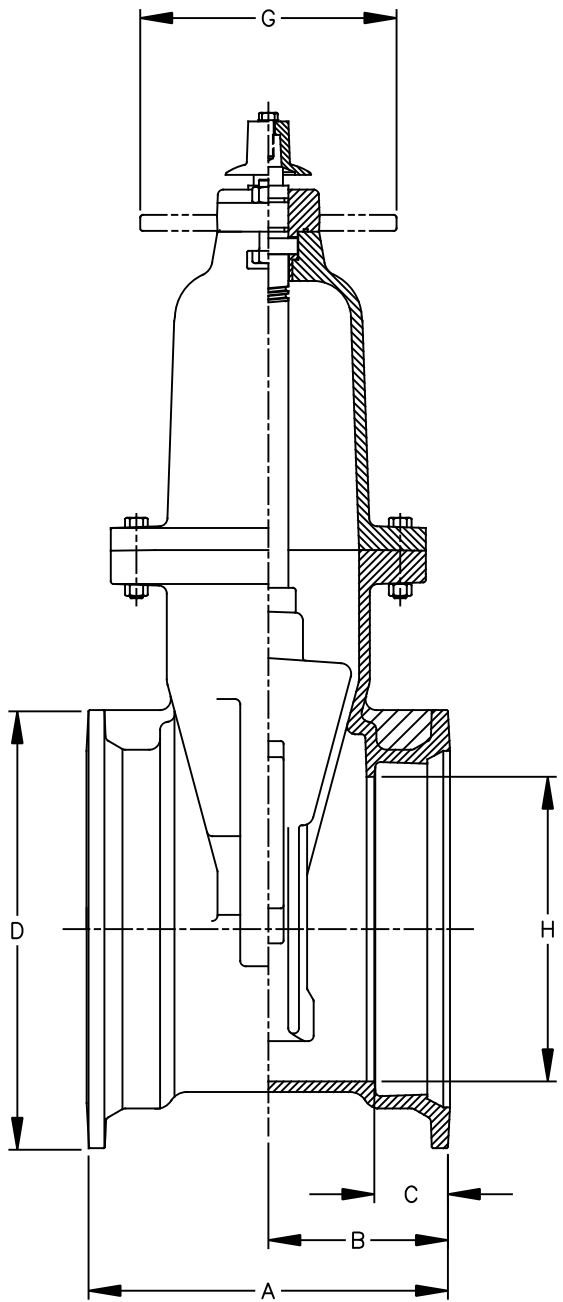
Complies with applicable requirements of AWWA C515

14"-16" R/W VALVE MJ ENDS
GENERAL DIMENSIONS

CLOW VALVE COMPANY

MODEL 2638

F-6100



VALVE SIZE	A	B	C	D	E	F	G	H	Weight
14"	17	8.5	3.5	20.25	37.75	10-3/4	18	14 1/4	625
16"	17	8.5	3.5	22.5	37.75	12-3/4	18	16 1/4	675