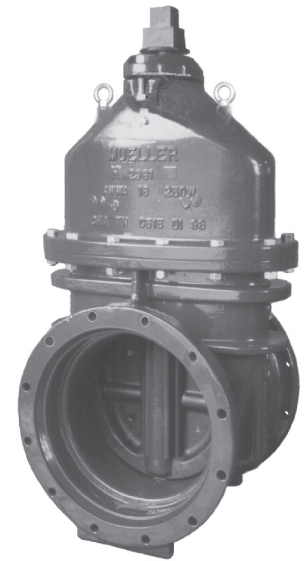


Rev. 7-17 Shaded area indicates changes

- Catalog number **A-2361-6** flanged ends
- Sizes – 14", 16", 18", 20", 24", 30", 36", 42", 48", 54"
- Meets or exceeds all applicable requirements of ANSI/AWWA C515 Standard (thru 48"), UL 262 Listed (thru 24"), FM 1120/1130 Approved (thru 24"), and certified to ANSI/NSF 61 & 372
- Flanged ends drilling comply with ASME/ANSI B16.1 Class 125
- Ductile iron body and bonnet with nominal 10 mils Mueller Pro-Gard® Fusion Bonded Epoxy Coated interior and exterior surfaces; 42" – 54" valves coated with Mueller HP Epoxy
- Epoxy coatings meet or exceed all applicable requirements of ANSI/AWWA C550 Standard
- Ductile iron wedge, symmetrical and fully encapsulated with molded rubber; no exposed iron.
- Non-rising stem (NRS)
- Triple O-ring seal (2 above the thrust collar and 1 below)
- 2" square wrench nut - open left or open right (30" - 54" require a Spur Gear or Bevel Gear)
- 250 psig (1725 kPa/17 barg) maximum working pressure; 500 psig (3450 kPa/35 barg) static test pressure
- 14" and 16" sizes – UL Listed, FM Approved: 250 psig (1725 kPa/17 barg)
- 18", 20" and 24" sizes – UL Listed: 175 psig (1200 kPa/12 barg); FM Approved 250 psig (1725 kPa/17 barg)
- Designed for potable water applications



A-2361-6 shown

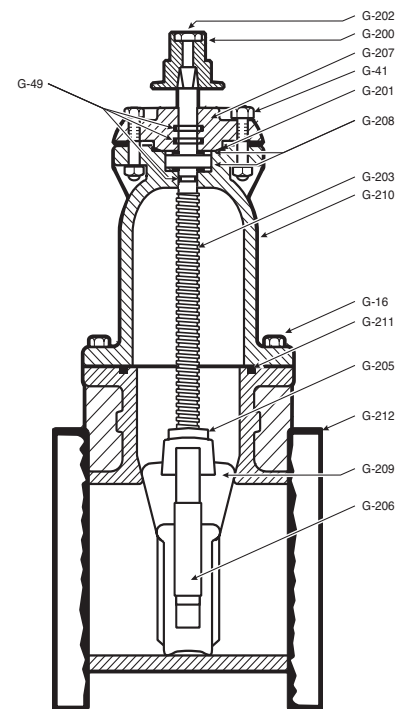
Options

See page 10.54 for more information on Resilient Wedge Gate Valve options

- Stem Options:
 - 14"-16" low zinc, silicon bronze ASTM B98-C66100/H02
 - Stainless Steel, Type 304, Type 316
 - 18"-54" low zinc, silicon bronze ASTM B763-C99500
 - Stainless Steel Type 304, Type 316
- Position indicators
- Handwheel
- Bypass 16" - 54" (2" on 16"-20"; 2.5" on 24"; 3" on 30"- 36", 4" on 42"-54")
- Spur or bevel geared actuator
- EPDM Disc and o-rings, 14"-16" optional, 18"-54" standard

Resilient wedge gate valve parts

Catalog Part Number	Description	Material	Material Standard
G-16	Bonnet Bolts & Nuts	316 Stainless steel	ASTM F593 (bolt) ASTM F594 (nut)
G-41	Stuffing Box Bolts & Nuts	316 Stainless steel	ASTM F593 (bolt) ASTM F594 (nut)
G-49	Stem O-rings (3)†	Nitrile	ASTM D2000
G-200	Wrench Nut Cap Screw	316 Stainless steel	ASTM F593
G-201	Stuffing Box O-ring†	Nitrile	ASTM D2000
G-202	Wrench Nut	Cast Iron+	ASTM A126 CL.B
G-203	Stem	Bronze	ASTM B138**
G-204	Hand Wheel (not shown)	Cast Iron+	ASTM A126 CL.B
G-205	Stem Nut	Bronze	ASTM B62
G-206	Guide Cap Bearings	Acetal	-
G-207	Stuffing Box	Ductile Iron++	ASTM A536 ▼
G-208	Anti-friction Washers (2)	Acetal	-
G-209	Wedge, Rubber Encapsulation	Ductile Iron* SBR†	ASTM A536 ▼ ASTM D2000
G-210	Bonnet	Ductile Iron	ASTM A536 ▼
G-211	Bonnet O-ring †	Nitrile	ASTM D2000
G-212	Body	Ductile Iron	ASTM A536 ▼



* Fully encapsulated in molded rubber with no iron exposed

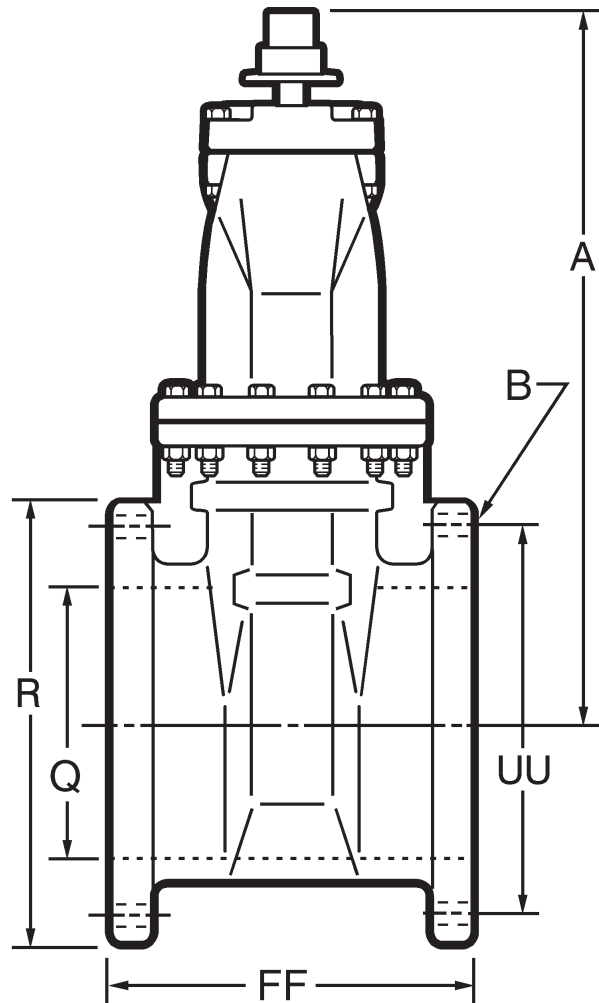
† 18"-54" EPDM standard

++ 30"-54" are hot rolled steel ASTM A36

** 18"-54" ASTM B584

+ Manufacturers option to change material to Ductile iron ASTM A536

▼ Material strength ASTM A536 65-45 minimum



Dimensions

Dimension*	Nominal Size									
	14"	16"	18"	20"	24"	30" †	36" †	42" †	48" †	54" †
A	32.75	37.88	44.19	48.25	53.88	See A for Spur or Bevel Gear				
R	21.00	23.50	25.00	27.50	32.00	38.75	46.00	53.00	59.50	66.34
FF	15.06	16.06	17.00	18.00	20.00	26.00	30.00	38.00	43.00	48.00
Q (bore)	14.38	16.00	18.38	20.38	24.38	30.38	36.38	42.38	48.38	48.38
UU (bolt circle diameter)	18.75	21.25	22.75	25.00	29.50	36.00	42.75	49.50	56.00	62.76
B (number and size of holes)	12--1.125	16--1.125	16--1.25	20--1.25	20--1.38	28--1.38	32--1.63	36--1.63	44--1.63	44--2.00
A- Spur Gear	40.49	43.58	49.41	53.01	59.15	70.81	83.08	97.74	109.70	109.70
A - Bevel Gear**	34.55	37.77	44.50	47.69	54.06	64.93	77.19	90.75	102.61	102.61
Turns to open (without gearing)	43.5	49	57	63	75	-	-	-	-	-
Turns to open (Spur gearing)††	178	201	234	258	308	381	455	524	596	596
Turns to open (Bevel gearing)††	174	196	228	252	300	372	444	524	596	596
Weight*	690	859	1284	1774	2481	6390	8220	13400	19978	20900

*All dimensions are in inches. All weights are in pounds and are approximate. Weights for 30"-54" valves are with gearing; for all others without gearing.

**Center line of operating nut to center line of valve.

†Spur or Bevel Gear must be used with 30", 36", 42", 48" & 54" valves.

††Turns shown are for Rotoric gearing supplied by Mueller Co.