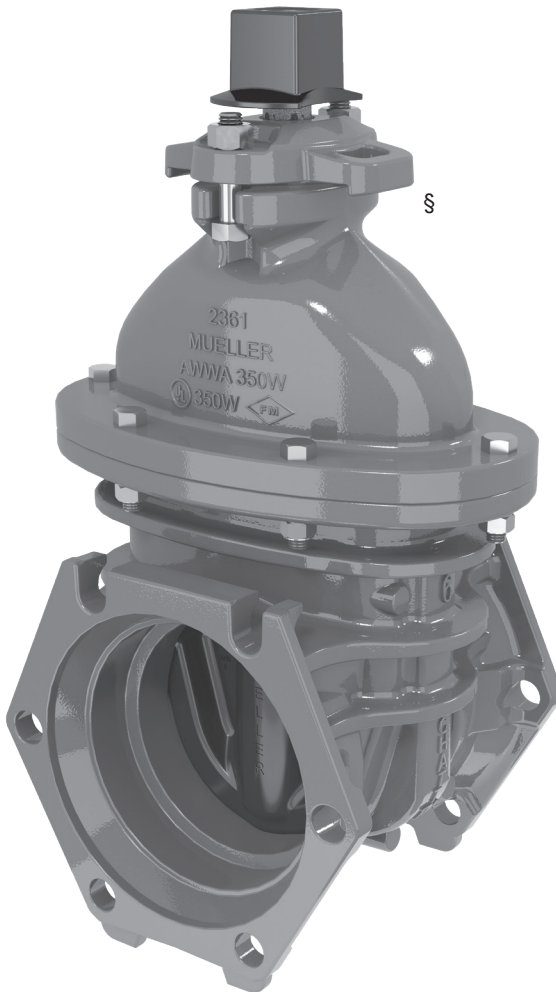


Mueller 2300 Series Resilient Wedge Gate Valves

Mueller Resilient Wedge Gate Valves have features to make them easier to operate, preserve sealing capability, and interior coating integrity for many years of reliable service. In addition to popular end connection options, Mueller brand RW valves can be ordered with Mueller's exclusive AquaGrip® System that incorporates an o-ring sealed compression connection and integral pipe restraint in one "ready to use" easy and quick to install package.

Mueller 2"-12" 2300 Series Resilient Wedge Gate Valve Features



6" shown

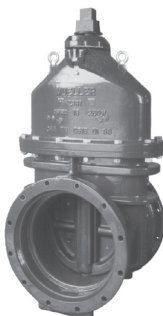
- **350 PSIG (2400 kPa/24 barg) Maximum Working Pressure** – Hydrostatically tested at 700 psig (4800 kPa/48 barg).
- **Dual-Purpose Lifting Lugs** – new dual-purpose lifting lugs provide stability for the valve box. Accommodates strap or hooks; provides valve box alignment, eliminating need for valve box adapter.+
- **American Made Quality** – factory in Chattanooga, TN with ISO 9001 certification. Certified to ANSI/NSF 61 & 372. Manufactured and tested in compliance with ANSI/AWWA Standard C515 or C509. UL 262 Listed and FM 1120/1130 Approved.
- **Ductile Iron Construction** - Valve body, bonnet, disc, stuffing box, & op nut.
- **T-Head Bolt Retention** – improved T-head bolt retention feature eliminates need for anti-rotation bolts.
- **Triple O-ring Seals** – two above thrust collar and one below, retain lubricant in this critical area. Top two are replaceable with valve fully open and under pressure. Fourth O-ring serves as dirt seal.
- **Two-Anti-Friction Washers With Lubrication** – made of polymer, one above and one below the thrust collar, reduce operating torque to open or close valve.
- **STEM** – forged manganese bronze bar stock is upset, then machined to form a thrust collar for superior strength in this critical area.
- **Guide Cap Bearings** – made of polymer and snapped over rubber covered wedge guides, provide bearing surfaces that protect both wedge and interior body coating from wear and aid in easy operation – even the largest valves installed horizontally. Rollers, tracks and scrapers are not needed.
- **Smooth, Oversized Water Way** – full, round, unobstructed flow way accommodates full size cutters, provides superior flow characteristics and reduces pumping costs.**
- **Mueller Pro-Guard® Fusion Bonded Epoxy Coating** – 10 mils* thick protects all inside and outside iron surfaces, and complies with AWWA C550.
- **316 Stainless Steel Fasteners**
- **Integral Legs** – stands upright for easier handling and storage.
- **10-Year Limited Warranty** – assured reliability (see separate Mueller Warranty document for terms).
- **Designed For Potable Water Applications**

*Nominal

**16" valve requires 1/2" undersized cutter, 54" valve requires 48" cutter

Mueller 14" – 54" 2361 Series Resilient Wedge Gate Valve Features

In addition to all the features of the smaller 2361 series valves, large size Mueller 2361 series RW valves offer these features:



- **Stem** – 18"-54" manganese bronze casting with integral thrust collar.

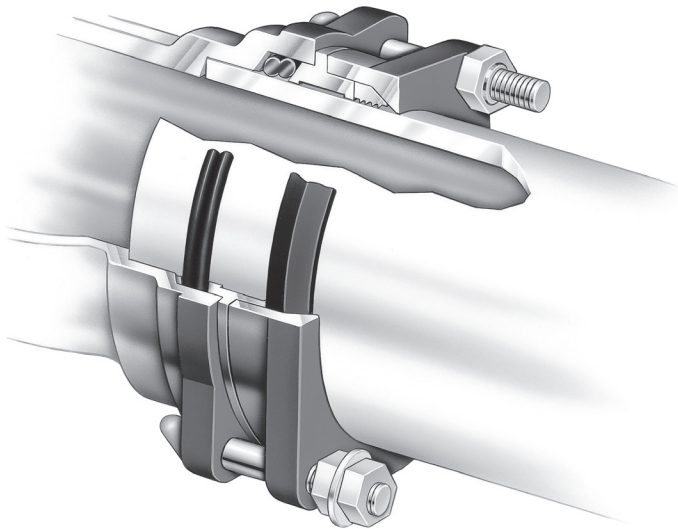
SIZE	AWWA C515 WORKING PRESSURE	UL WORKING PRESSURE	FM WORKING PRESSURE
14"-16"	250	250	250
18"-24"	250	175 x	250
30"-54"	250	-	-

x UL Listed without gearing
- Certified to NSF 61 & 372

Rev. 7-17 Shaded area indicates changes

Mueller 2361 Series Resilient Wedge Gate Valves with AquaGrip® System

The Mueller AquaGrip System is offered in 4" through 12" sizes of the Mueller 2361 Series Resilient Wedge Gate Valves. This Mueller exclusive combines both the compression connection and the pipe restraint system in one convenient, quick installation package. This eliminates the need for anchor couplings, tie rods or separate gland-type restrains. A typical AquaGrip connection uses fewer bolts than a conventional mechanical joint end, and substantially fewer than a gland-type restraint, significantly reducing installation time. This "labor saving" system is also available on Mueller Centurion® Fire Hydrants, and as separate couplings and fittings to compliment water main installation needs.



- **Accepts Varied Types Of Pipe** – DIPS style fits DI, C900 PVC and DIPS PE pipe. IPS style fits PVC, IPS PE. No disassembly or adapters, no special pipe end preparation, a liner for PE pipe(DR9-DR17) is recommended.
- **Fully Assembled Stab Connection** – arrives ready to insert the pipe, tighten the bolts and it's done. No need to change-out, add or remove parts. Nothing additional to inventory or handle in the field. No extra bolts to assemble or tighten. Substantially reduces labor and inventory costs.
- **Visually Shows When Properly Tightened** – breakaway nuts snap off using a standard wrench. No special torque requirements. Inner nut remains in place to allow future access to connection, if required. Reduces crew training and saves installation time. (In illustration, lower nut shown before tightening, upper one after.)
- **Certified To ANSI/NSF 61 & 372** – manufactured and tested in compliance with ANSI/AWWA C515. UL 262 Listed and FM 1120/1130 approved.
- **Pressure Responsive O-ring Seal** – a double O-ring uses hydrostatic pressure from inside the pipe to enhance the seal as line pressure increases.
- **Full Circumferential Restraint** – gripper ring encircles pipe for uniform grip without creating points of high stress in pipe wall that could contribute to pipe failure.
- **Installs In Wet Conditions** – no special field conditions required, even installs under water.
- **Ductile Iron Construction** – valve body, bonnet and the AquaGrip System components.
- **Plus All Of The Other Features Of The 2300 Series**
- **250 PSIG Maximum Working Pressure (triple listed)**

Rev. 7-17 Shaded area indicates changes

- Catalog number–
 - A-2361-77** Aqua-Grip ends x Aqua-Grip ends for DIPS pipe in sizes 4", 6", 8", 10", 12"
 - A-2361-87** Aqua-Grip ends x Aqua-Grip ends for IPS pipe in sizes 4", 6", 8"
- Meets or exceeds all applicable requirements of ANSI/AWWA C515 Standard, UL 262 Listed, FM 1120/1130 Approved, and certified to ANSI/NSF 61 & 372
- Ductile Iron body and bonnet with nominal 10 mils Mueller Pro-Gard® Fusion Bonded Epoxy Coated interior and exterior surfaces
- Epoxy coating meets or exceeds all applicable requirements of ANSI/AWWA C550 Standard
- Iron wedge, symmetrical and fully encapsulated with molded rubber; no exposed iron
- Non-rising stem (NRS)
- Triple O-ring seal (2 above the thrust collar and 1 below)
- 2" square wrench nut - open left or open right
- 250 psig (1725 kPa/17 barg) maximum working pressure; 500 psig (3450 kPa/35 barg) static test pressure
- UL Listed, FM Approved – 200 psig (1375 kPa/14 barg)
- Designed for potable water applications



A-2361-77 shown

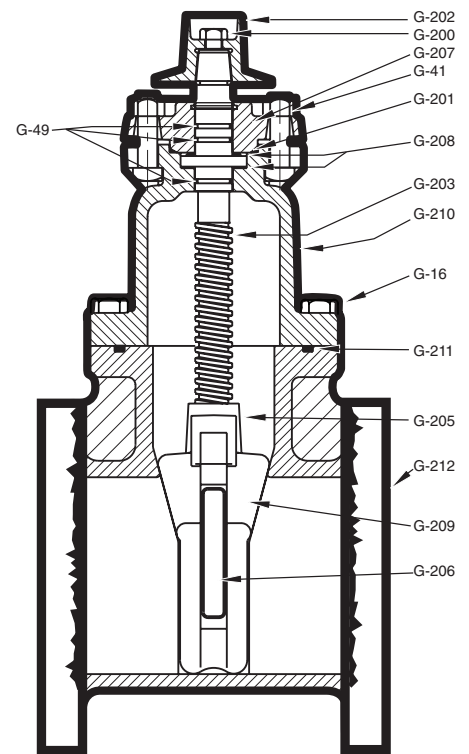
Options

See page 10.54 for more information on Resilient Wedge Gate Valve options

- Position indicators
- Low zinc, silicon bronze ASTM B98-C66100/H02 stem
- Stainless steel stem: Type 304, Type 316
- Handwheel
- EPDM Disc and o-ring

Resilient wedge gate valve parts

Catalog Part Number	Description	Material	Material Standard
G-16	Bonnet Bolts & Nuts	316 Stainless Steel	ASTM F593 (bolt) ASTM F594 (nut)
G-41	Stuffing Box Bolts & Nuts	316 Stainless Steel	ASTM F593 (bolt) ASTM F594 (nut)
G-49	Stem O-rings (3)	Nitrile	ASTM D2000
G-200	Wrench Nut Cap Screw	316 Stainless Steel	ASTM F593
G-201	Stuffing Box O-ring	Nitrile	ASTM D2000
G-202	Wrench Nut	Ductile iron	ASTM A536 ▼
G-203	Stem	Bronze	ASTM B138
G-204	Hand Wheel (not shown)	Cast Iron +	ASTM A126 CL.B
G-205	Stem Nut	Bronze	ASTM B584
G-206	Guide Cap Bearings	Acetal	-
G-207	Stuffing Box with dirt seal	Ductile Iron Nitrile	ASTM A536 ▼ ASTM D2000
G-208	Anti-friction Washers (2)	Acetal	-
G-209	Wedge, Rubber Encapsulation	Ductile iron SBR	ASTM A536 ▼ ASTM D2000
G-210	Bonnet	Ductile Iron	ASTM A536 ▼
G-211	Bonnet O-ring	Nitrile	ASTM D2000
G-212	Body	Ductile Iron	ASTM A536 ▼
G-213	Double O-ring**	EPDM	ASTM D2000
G-214	Intermediate ring**	Ductile Iron	ASTM A536 ▼
G-215	Gripper ring**	Ductile Iron	ASTM A536 ▼
G-216	End ring**	Ductile Iron	ASTM A536 ▼
G-217	Breakaway Nut with washer***	Steel	ASTM A108
G-218	T-head Bolt***	Steel	ASTM A242



*Fully encapsulated in molded rubber with no iron exposed.

**Parts for Aqua-Grip connection not shown – one required for each Aqua-Grip connection.

***Not shown. See dimension drawing on next page for number require for each size Aqua-Grip connection.

+ Manufacturers option to change material to Ductile iron ASTM A536

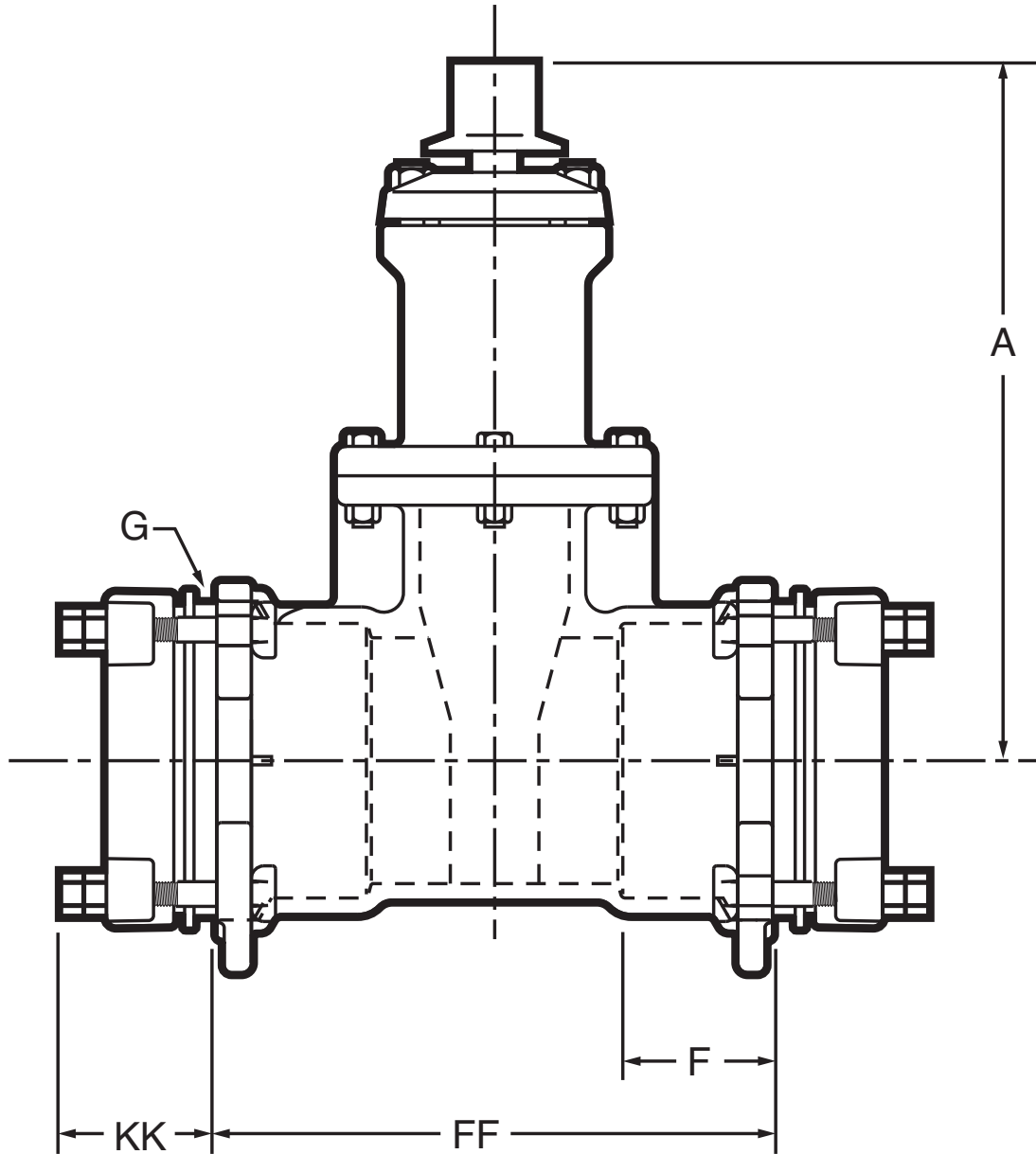
▼ Material strength ASTM A536 65-45 minimum

**4"- 12" A-2361 RESILIENT WEDGE
GATE VALVES WITH AQUAGRIP® x AQUAGRIP**



10.27

Shaded area indicates change Rev. 4-14



Dimensions

Dimension	Nominal Size				
	4"	6"	8"	10"	12"
A	14.19	18.00	21.50	25.50	28.62
FF	12.68	15.12	16.94	18.06	18.90
G (number and size of holes for Aqua-Grip)	4--.88	4--.88	6--.88	8--.88	8--.88
F	3.70	3.70	3.70	3.75	3.75
KK	2.75	3.75	3.75	3.75	3.75
Turns to open	14	20.5	26.5	33.0	38.5
Weight*	113	168	277	385	516

*All dimensions are in inches. All weights are in approximate pounds.

To order Gate Valves specify:

Quantity

If more than one size, specify quantity of each

Size

Nominal size of valve

Catalog number

Special catalog number suffix

See chart at bottom of page 10.54 if gearing, grease cases, bypass valves or position indicators are required. The appropriate suffix number is added to the base catalog number.

Direction of opening

Specify open left (counter-clockwise) or open right (clockwise). Wrench nuts on valves that open to the right are painted red for identification purposes.

Method of operation

N.R.S. valves are available with either a 2" square wrench nut or a handwheel. Handwheels are standard on flanged x flanged and thread x thread valves; all other NRS* valves have a 2" square wrench nut as standard. Outside screw and yoke type valves are available with handwheel only. When ordering NRS valves, specify wrench nut or handwheel.

* 30"-54" resilient wedge and double-disc gate valves must be ordered with actuator.

Special Requirements

Contact Mueller Customer Service Center with special requirements such as special paints or coatings, low zinc bronze stems, stainless steel fasteners etc.

Gate Valve Repair Parts

To order repair parts specify size of valve, direction of opening, year date on body, part number, catalog number of valve if known, and type of ends if ordering body.
