

120" KARL

TOP-MOUNT BARN DOOR HARDWARE KIT

SKU: 950677



FEATURES

- For doors up to 60" wide.
- Roller Wheel - 3-1/4" Diameter.
- Steel 2-1/2" diameter roller bearings.
- Track Size: 1/4" Steel, 1-1/2" x 60" (2).
- Strap Size: 1/4" Steel, 6" x 1".
- Optional Soft Close Adapter:
 - For use with flat rails.
 - Steel construction for long lasting durability.
 - Keeps door from slamming when opening and closing.
 - Installs concealed behind the rail.
 - Soft close kit includes:
 - Low profile soft close adapter left hand (1).
 - Low profile soft close adapter right hand (1).
 - Low profile soft close trigger (2).
 - Trigger screws (6).
 - Cone-point set screws (8).
 - Allen wrench for set screws (1).
 - Width: 12-11/16".
 - Depth: 1-1/4".
 - Height: 1-1/8".

CONTENTS

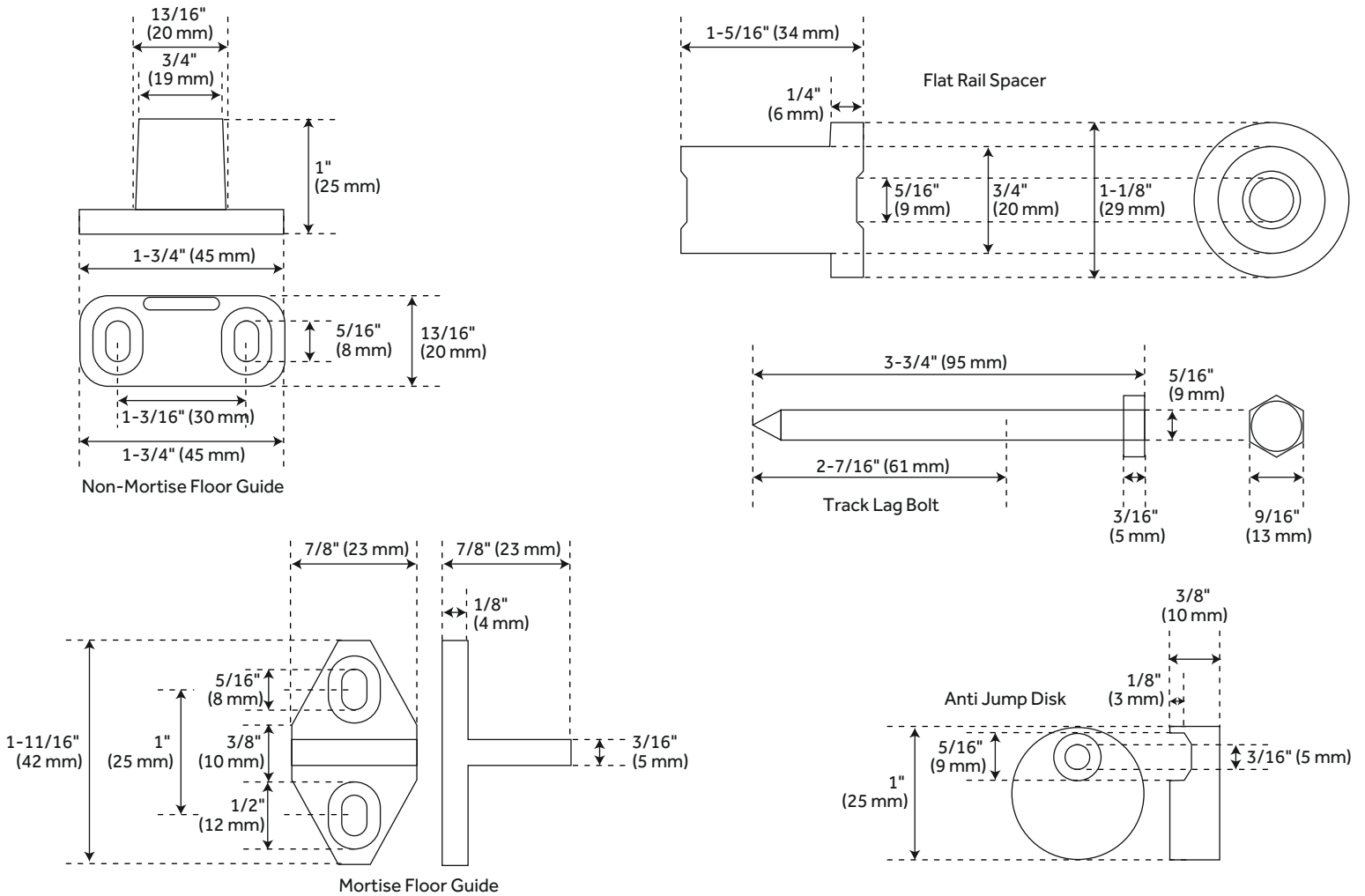
NON-MORTISE FLOOR GUIDE	PAGE 2
MORTISE FLOOR GUIDE	PAGE 2
FLAT RAIL SPACER	PAGE 2
TRACK LAG BOLT	PAGE 2
ANTI-JUMP BOLT	PAGE 2
FLAT RAIL	PAGE 3
BEARING WHEEL HANGER	PAGE 3
FLAT RAIL STOP	PAGE 3

REVISED 10/09/2020

120" KARL

TOP-MOUNT BARN DOOR HARDWARE KIT

SKU: 950677



FEATURES

- Material: Stainless Steel
- Design: Modern
- Length: 120"
- Height: 6-1/8"
- Depth: 1-3/8"
- Mounting Hardware Included: Yes
- Mounting Hardware Concealed: No
- Weight Limit (Lbs): 220

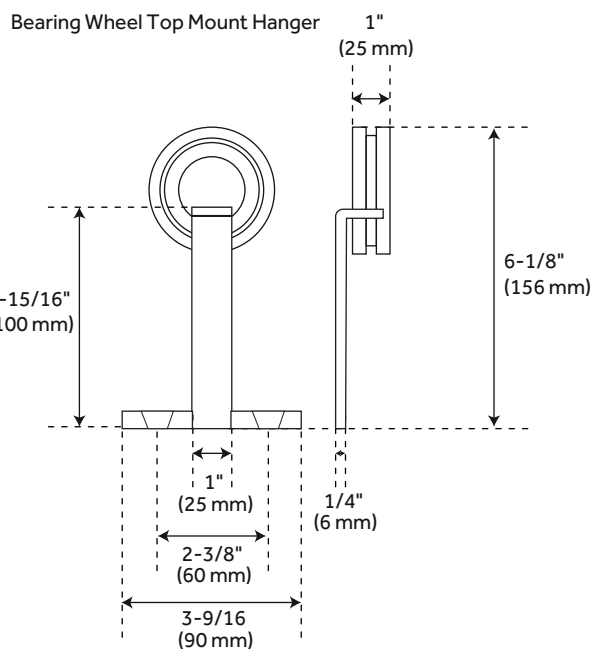
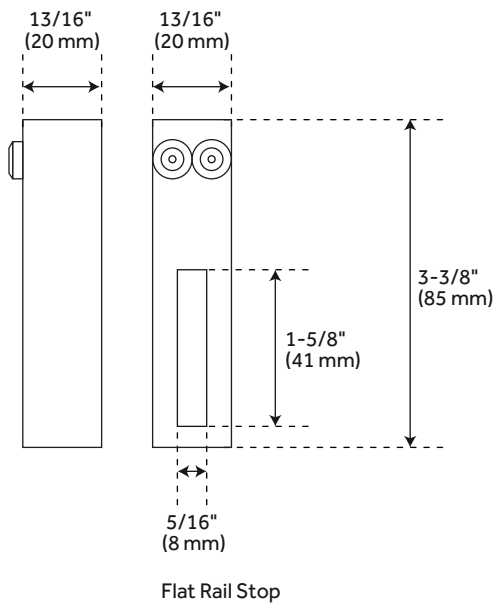
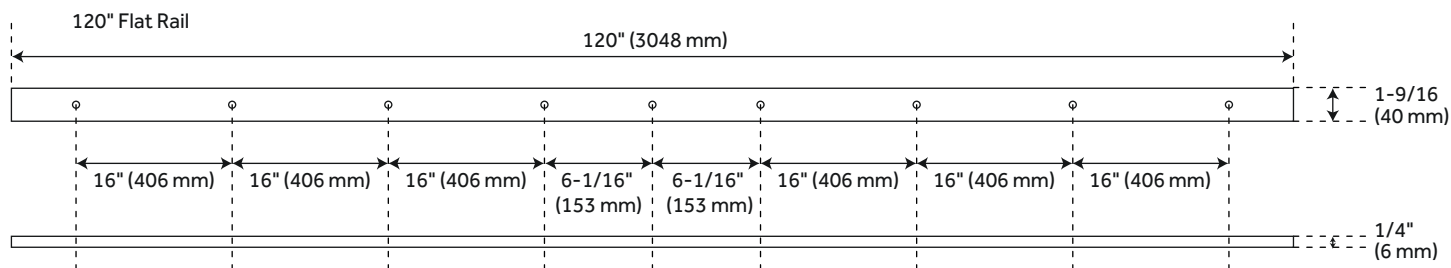
PRODUCT IMAGE



120" KARL

TOP-MOUNT BARN DOOR HARDWARE KIT

SKU: 950677



FEATURES

- Material: Stainless Steel
- Design: Modern
- Length: 120"
- Height: 6-1/8"
- Depth: 1-3/8"
- Mounting Hardware Included: Yes
- Mounting Hardware Concealed: No
- Weight Limit (Lbs): 220

PRODUCT IMAGE

