


DESCRIPTION

- Metal construction with chrome finish

OPERATION

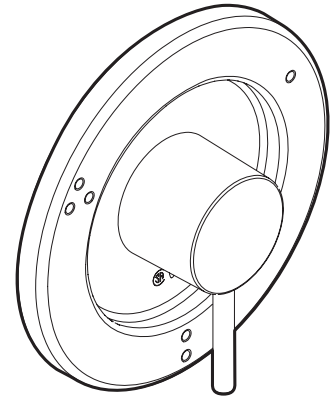
- Rotational control with 360° of rotation with stops

STANDARDS

- Third party certified to ASME A112.18.1/CSA B125.1 and all applicable requirements referenced therein
- **ADA**  for lever handle

WARRANTY

- 5 year warranty if used in commercial installations

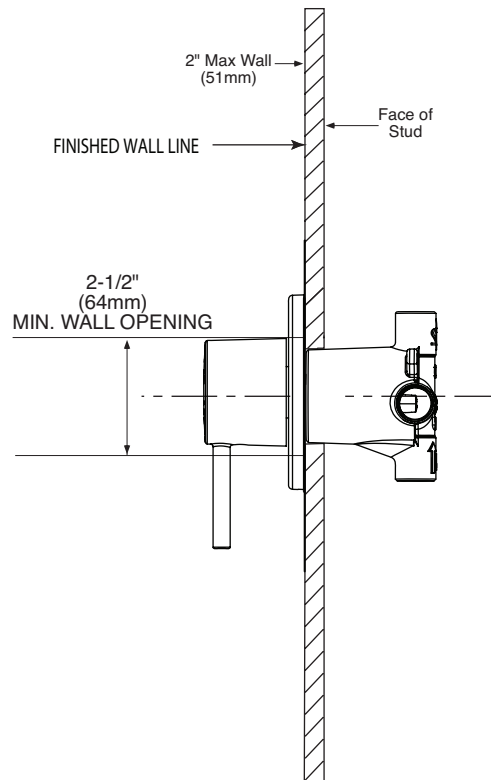


ALIGN™ Three-Function Transfer Valve Trim Kit

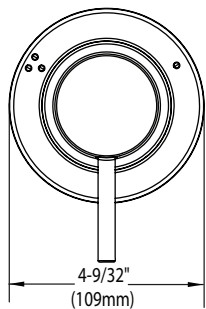
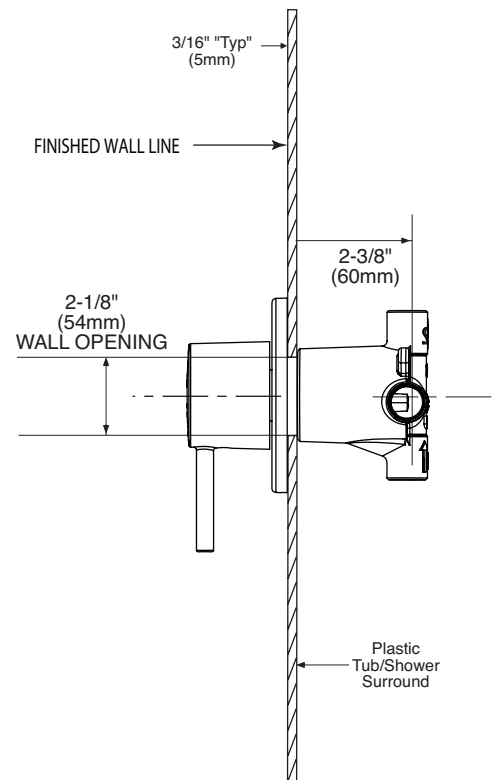
Models: T4192 series

Valve: 3360

Thick Wall Installation



Thin Wall Installation



CRITICAL DIMENSIONS
(DO NOT SCALE)