

# TRENCH TOUGH PLUS™

## MOLDED PVC FITTINGS

### TRENCH TOUGH PLUS™

#### SDR35 GASKETED SEWER FITTINGS

- Ideal for use in wastewater, stormwater and industrial waste applications.
- Reinforced to SDR26 thickness at key locations such as the branches of tees and wyes for optimal long-term performance.
- Joint withstands 15 psi hydrostatic pressure and a -10.8 psi vacuum pressure.
- Leak-proof at 5° joint deflection and 5% ring deflection.

Injection  
Molded  
4" – 18"

Fabricated  
18" – 42"



### NEW MOLDED GASKETED SDR35 SEWER FITTINGS

Product	Size (inches)	Size (mm)	Old Part #	NEW Part #
45° WYE (GxGxG)	15 x 10	375 x 250	043317	143317
	15 x 12	375 x 300	043318	143318
	15	375	043310	143310
	18 x 4	450 x 100	043904	143904
	18 x 6	450 x 150	043903	143903
45° ELBOW (GxG)	15	375	043515	143515
45° ELBOW (SxG)	15	375	043951	143951
REPAIR COUPLING WITHOUT PIPE STOP (GxG)	12	300	043631	143631
EXTENDED BUSHING (SxG) - Concentric	12 x 4	300 x 100	043697	143697
	12 x 6	300 x 150	043617	143617
	12 x 8	300 x 200	043616	143616
	12 x 10	300 x 250	043623	143623
INCREASER COUPLING (GxG)	12 x 4	300 x 100	043798	143798
	12 x 6	300 x 150	043530	143530
	12 x 8	300 x 200	043532	143532
	12 x 10	300 x 250	043520	143520

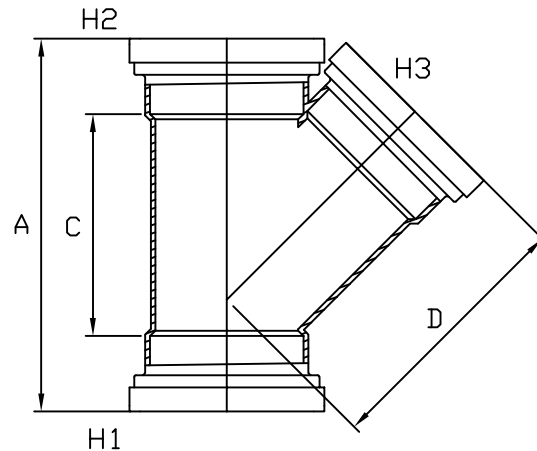


MULTI FITTINGS

# LAYING LENGTH

ISSUE DATE: OCT 30/17  
SUPERCEDES: MAR 11/05

## 45° WYE (GxGxG)



INJECTION MOLDED FITTING (M)

	SIZE H1xH2xH3	PART NUMBER	A REF	C REF	D REF
M =	4x4x4	063304	10.250	6.125	7.375
M =	6x6x4	063307	12.375	6.500	9.000
M =	6x6x6	063306	14.875	9.000	10.750
<>M =	8x8x4	063294	13.375	6.500	10.625
M =	8x8x6	063296	15.750	8.875	12.250
M =	8x8x8	063298	19.000	12.125	13.875
M =	10x10x4	043311	17.250	9.375	12.500
M =	10x10x6	043312	17.125	9.375	13.875
M =	10x10x8	043313	22.875	15.000	15.000
M =	10x10x10	043308	22.875	15.000	17.000
M =	12x12x4	043319	18.125	9.375	14.500
M =	12x12x6	043276	18.250	9.375	15.875
M =	12x12x8	043314	26.750	17.875	16.375
M =	12x12x10	043315	26.750	17.875	18.000
M =	12x12x12	043309	26.750	17.875	20.000
M =	15x15x4	043320	22.250	12.750	15.000
M =	15x15x6	043153	22.250	12.750	16.750
M =	15x15x8	043316	22.250	12.750	19.000
M =	15x15x10	143317	31.625	22.250	20.000
M =	15x15x12	143318	31.625	22.250	24.375
M =	15x15x15	143310	31.625	22.250	23.875

Note: = Refer to Page G4 for Hub Detail, Type A  
<> 4" Deep hub