

# TRENCH TOUGH PLUS™

## SDR26 HEAVY WALL GASKETED SEWER FITTINGS

- Compatible with SDR26 and SDR35 sewer pipe and are used in areas where the installation conditions are more challenging, such as deep burial applications or projects in poor soils.
- Service fittings are manufactured with an "extra heavy wall" SDR24 thickness.
- Easily identifiable with its gray gaskets.

**Injection  
Molded**  
4" – 12"

**Fabricated**  
12" – 24"



### NEW MOLDED GASKETED SDR26 HEAVY WALL SEWER FITTINGS

Product	Size (inches)	Size (mm)	Old Part #	NEW Part #
T-Y (GXGXG)	10 x 4	250 x 100	067130	167130
	10 x 6	250 x 150	067150	167150
	12 x 4	300 x 100	067153	167153
	12 x 6	300 x 150	067152	167152

## Short Form Specification

All sewer fittings shall comply with the ASTM D3034 and ASTM F1336 standards. Fittings marked with IAPMO are approved to the requirements of D3034 and are third party certified to CSA, B182.1 and marked with the CSA logo.

Fitting joints must withstand a minimum 15 psi hydrostatic pressure and a -10.8 psi vacuum pressure for at least 10 minutes with no leakage while joint is deflected 5° and ring deflection is 5%.

Impact testing is carried out at 73°F with no cracking or splitting allowed.

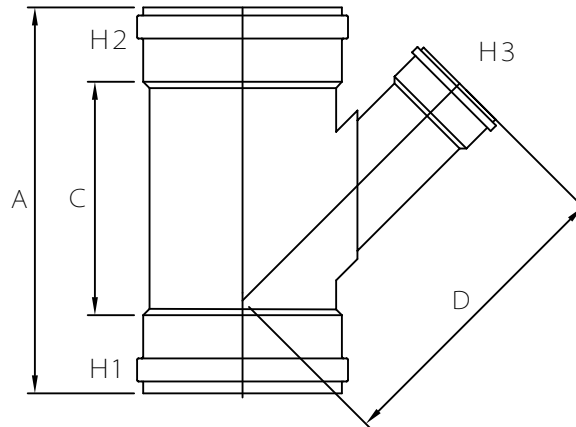


MULTI FITTINGS

# LAYING LENGTH

ISSUE DATE: OCT 30/17  
SUPERCEDES: SEPT 14/07

## 45° WYE (GxGxG)



FABRICATED FITTING (F)

	SIZE H1xH2xH3	PART NUMBER	A REF	C REF	D REF
F @	10x10x8	067251	36.000	-	21.500
F @	10x10x10	067210	-	-	-
F @	12x12x8	067254	36.000	-	21.250
F @	12x12x10	067258	36.000	-	24.000
F @	12x12x12	067253	-	-	-
F @	15x15x4	067259	39.000	-	18.000
F @	15x15x6	067255	39.000	-	21.500
F @	15x15x8	067257	39.000	-	23.500
F @	15x15x10	067271	39.000	-	24.000
F @	15x15x12	067272	45.000	-	29.000
++ F @	15x15x15	067205	47.000	-	32.000
F @	18x18x4	067273	43.000	-	21.000
F @	18x18x6	067275	43.000	-	24.000
F @	18x18x8	067276	43.000	-	26.000
F @	18x18x10	067270	46.000	-	29.000
F @	18x18x12	067269	51.000	-	28.000
F @	18x18x15	067274	-	-	-
++ F @	18x18x18	067203	63.000	-	40.500
F @	21x21x4	067088	40.000	-	23.000
F @	21x21x6	067019	44.000	-	26.250

NOTE: @ Refer to Page HW5 for Hub Detail, Fabricated  
++ FRP Reinforced