

TRENCH TOUGH PLUS™

SDR26 HEAVY WALL GASKETED SEWER FITTINGS

- Compatible with SDR26 and SDR35 sewer pipe and are used in areas where the installation conditions are more challenging, such as deep burial applications or projects in poor soils.
- Service fittings are manufactured with an "extra heavy wall" SDR24 thickness.
- Easily identifiable with its gray gaskets.

Injection Molded
4" – 12"

Fabricated
12" – 24"



NEW MOLDED GASKETED SDR26 HEAVY WALL SEWER FITTINGS

Product	Size (inches)	Size (mm)	Old Part #	NEW Part #
T-Y (GXGXG)	10 x 4	250 x 100	067130	167130
	10 x 6	250 x 150	067150	167150
	12 x 4	300 x 100	067153	167153
	12 x 6	300 x 150	067152	167152

Short Form Specification

All sewer fittings shall comply with the ASTM D3034 and ASTM F1336 standards. Fittings marked with IAPMO are approved to the requirements of D3034 and are third party certified to CSA, B182.1 and marked with the CSA logo.

Fitting joints must withstand a minimum 15 psi hydrostatic pressure and a -10.8 psi vacuum pressure for at least 10 minutes with no leakage while joint is deflected 5° and ring deflection is 5%.

Impact testing is carried out at 73°F with no cracking or splitting allowed.

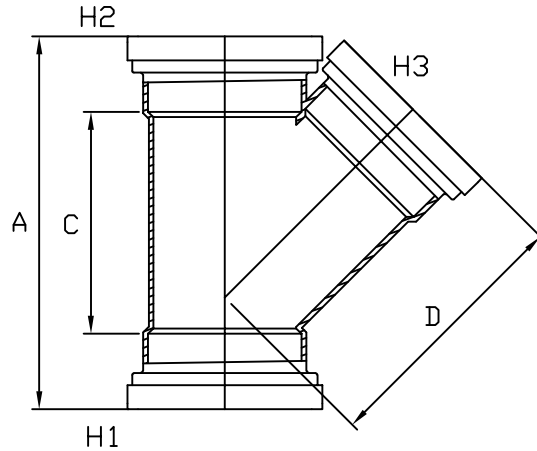


MULTI FITTINGS

LAYING LENGTH

ISSUE DATE: OCT 30/17
SUPERCEDES: SEPT 14/07

45° WYE (GxGxG)



INJECTION MOLDED FITTING (M)

	SIZE H1xH2xH3	PART NUMBER	A REF	C REF	D REF
M =	4x4x4	067204	10.250	6.125	7.500
M =	6x6x4	067226	15.000	9.125	8.875
M =	6x6x6	067206	15.000	9.125	10.875
M =	8x8x4	067228	13.625	6.625	10.500
M =	8x8x6	067248	16.000	9.250	12.375
M =	8x8x8	067208	19.000	12.250	14.125
M =	10x10x4	067249	17.500	9.750	12.500
M =	10x10x6	067250	17.500	9.750	14.125
M =	12x12x4	067256	18.875	10.000	14.500
M =	12x12x6	067252	18.875	10.000	15.625

Note: = Refer to Page HW4 for Hub Detail, Type A