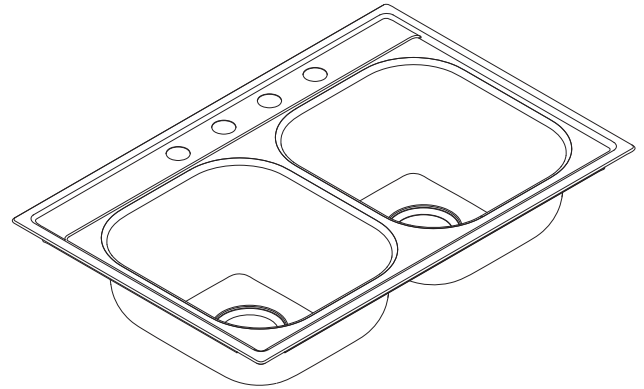


Model Number	Faucet Holes	Depth Inches	Drain Placement	ADA/FHA Compliant*
GS222163	3	6-1/2"	Center	No
GS222164 <i>(pictured)</i>	4	6-1/2"	Center	No
GS222133	3	8"	Center	No
GS202334Q				



### SINK DESCRIPTION

- 2200 Series double bowl drop in sink
- 22 gauge stainless steel, matte bowl finish
- U-channel mounting system
- SoundSHIELD™ sound absorbing system

### WARRANTY

- Lifetime limited warranty to the original homeowner
- 10 year limited warranty when used in a Multi-family installation
- 5 year limited warranty when used in a Commercial installation
- Visit [www.moen.com/customer-support/warranty](http://www.moen.com/customer-support/warranty) for complete details and limitations

### SINK DIMENSIONS

- Overall: 33" x 22"
- Left Bowl: 14" x 16"
- Right Bowl: 14" x 16"
- Drain Size: 3-5/8"

### CUT OUT DIMENSIONS

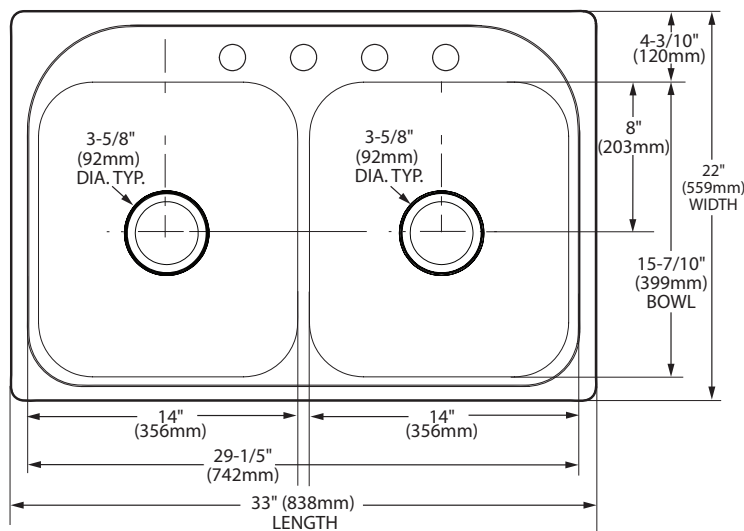
- 32-1/2" x 21-1/2" with 11/16" corner radius, tolerance of plus or minus 1/16" is acceptable

### STANDARDS

- Third party certified to meet ASME A112.19.3/CSA B45.4 and all applicable specifications referenced therein
- **\*ADA/FHA** Sink compliant to ADA (ICC A117.1) and FHA accessibility specifications when installed to these required standards. Always consult with your local building department for the specific installation requirements.
- **\*FHA** Sink compliant to FHA accessibility specifications when installed to these required standards. Always consult with your local building department for the specific installation requirements.

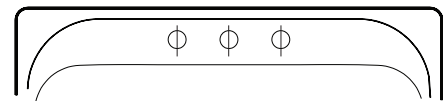
### CRITICAL DIMENSIONS

(DO NOT SCALE)

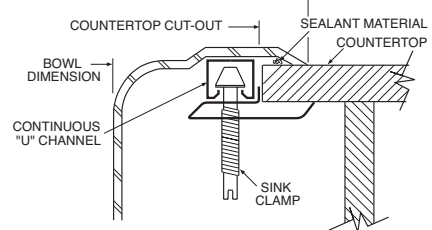


### Faucet Hole Configurations

1-3/8" (35mm) diameter faucet holes  
4" (102mm) Center



### Installation Detail



**MADE IN THE USA**