

PROVINCETOWN

IN-WALL SHOWER VOLUME CONTROL

SKU: 948543



FEATURES

Material: Brass
Shape: Round
Handle Type: Lever
Assembly Required: No
Installation Type: Wall
Mounting Hardware Included: Yes
For Proper Installation, Requires Use of a
Thermostatic Valve and Trim
Optional Rough-in Valve

CONTENTS

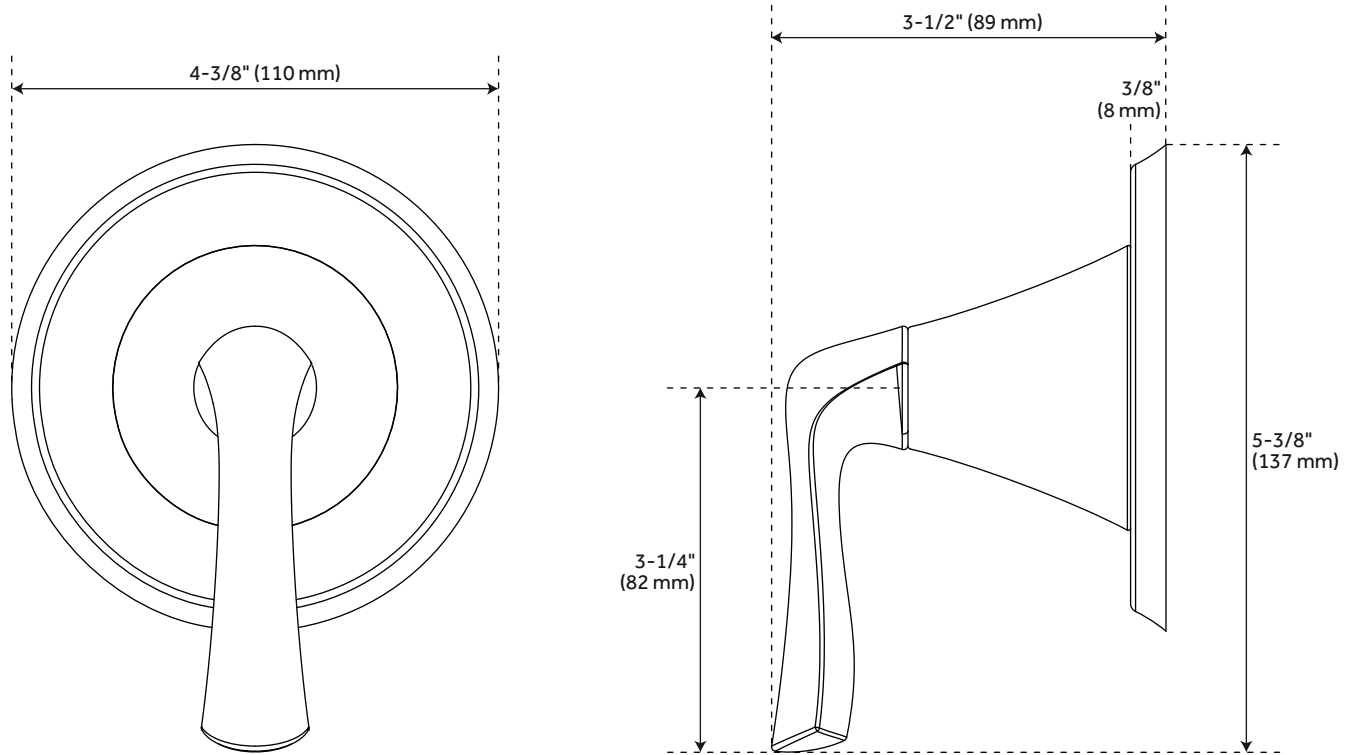
VOLUME CONTROL	PAGE 2
VALVE	PAGE 3

REVISED 10/05/2020

PROVINCETOWN

IN-WALL SHOWER VOLUME CONTROL

SKU: 948543



FEATURES

Diameter: 4-3/8"

Height: 5-3/8"

Depth: 3-1/2"

CODES/STANDARDS

cUPC

ASME A112.18.1/CSA B125.1

ICC/ANSI A117.1 (when installed
according to ADA standards)

Massachusetts Accepted

PRODUCT IMAGE



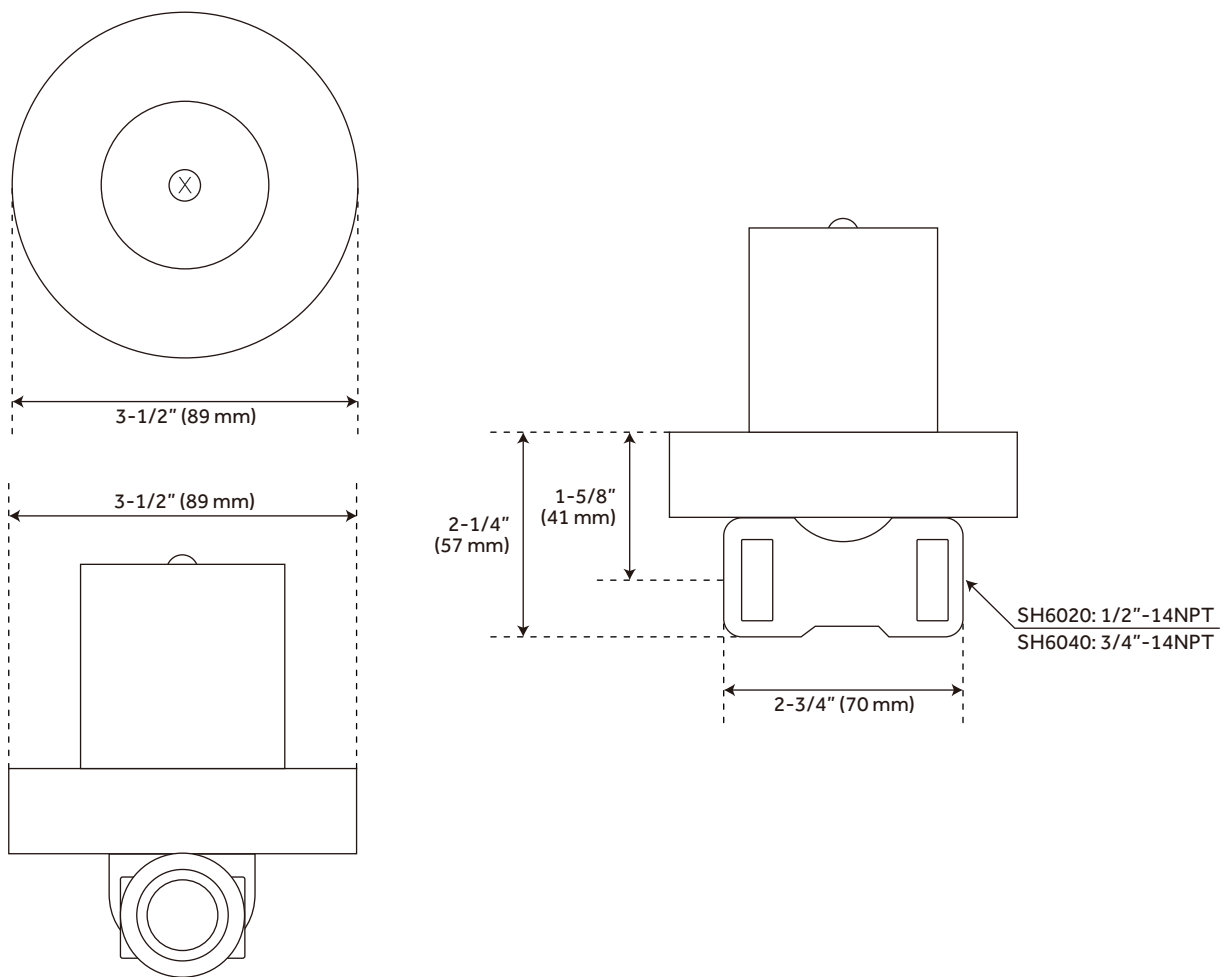
All dimensions and specifications are nominal and may vary. Use actual products for accuracy in critical situations.

PAGE 2
CODE: SHPR9007N

PROVINCETOWN

OPTIONAL VOLUME CONTROL VALVE WITH 1/2" -OR- 3/4" CONNECTION

SKU: 948543



FEATURES

- Bronze Valve Body
- Ceramic Cartridge
- Recommended Valve Installation
Depth 1-5/8" to 2-3/8"

CODES/STANDARDS

- cUPC
- ASME A112.18.1/CSA B125.1
- Massachusetts Accepted

PRODUCT IMAGE



All dimensions and specifications are nominal and may vary. Use actual products for accuracy in critical situations.

PAGE 3
CODE: SH6020, SH6040