

PROVINCETOWN

THERMOSTATIC SHOWER VALVE WITH VOLUME CONTROL HANDLE

SKU: 948559



FEATURES

- Material: Brass
- Shape: Round
- Handle Type: Lever
- Assembly Required: No
- Installation Type: Wall Mount
- Mounting Hardware Included: Yes
- Factory-Calibrated Comfort Setting at 104 Degrees Fahrenheit
- Thermostatic Technology Keeps Shower Temperature Within 1 Degree Celsius

CONTENTS

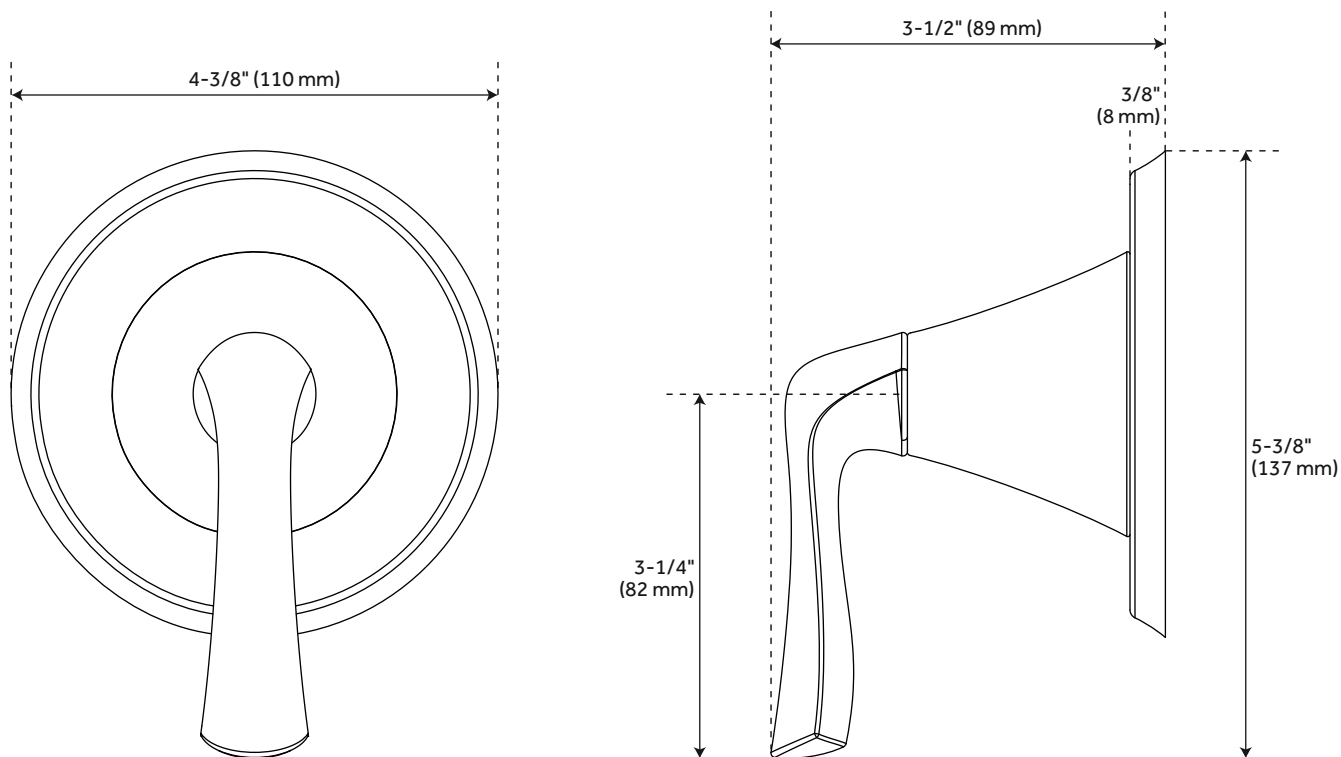
VOLUME CONTROL	PAGE 2
VOLUME CONTROL VALVE	PAGE 3
THERMOSTATIC TRIM	PAGE 4
THERMOSTATIC VALVE	PAGE 5

REVISED 10/05/2020

PROVINCETOWN

IN-WALL SHOWER VOLUME CONTROL

SKU: 948559



FEATURES

Diameter: 4-3/8"
Height: 5-3/8"
Depth: 3-1/2"

CODES/STANDARDS

cUPC
ASME A112.18.1/CSA B125.1
ICC/ANSI A117.1 (when installed
according to ADA standards)
Massachusetts Accepted

PRODUCT IMAGE



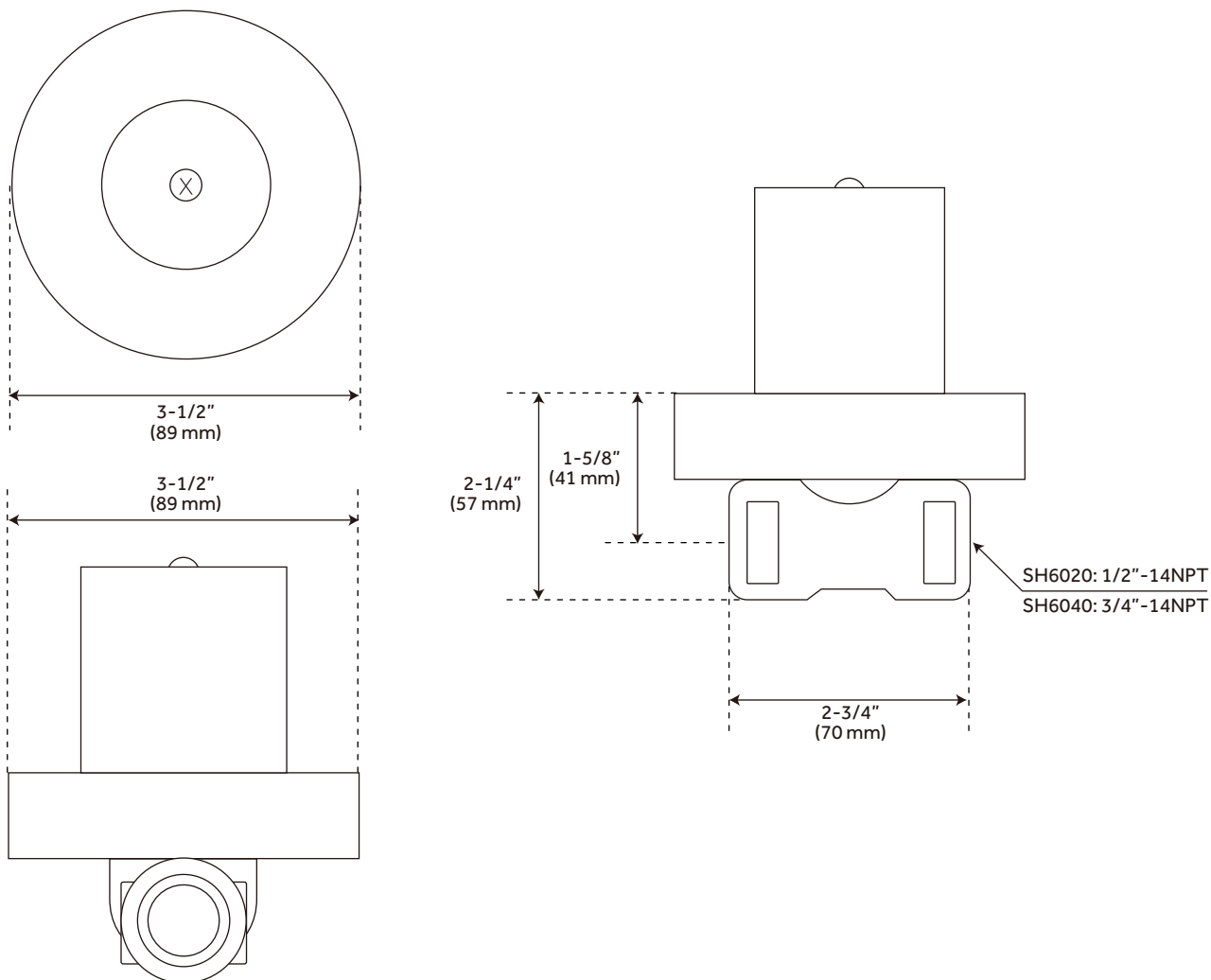
All dimensions and specifications are nominal and may vary. Use actual products for accuracy in critical situations.

PAGE 2
CODE: SHPR9007

PROVINCETOWN

OPTIONAL VOLUME CONTROL VALVE WITH 1/2" -OR- 3/4" CONNECTION

SKU: 948559



FEATURES

- Bronze Valve Body
- Ceramic Cartridge
- Recommended Valve Installation
Depth 1-5/8" to 2-3/8"

CODES/STANDARDS

- cUPC
- ASME A112.18.1/CSA B125.1
- Massachusetts Accepted

PRODUCT IMAGE



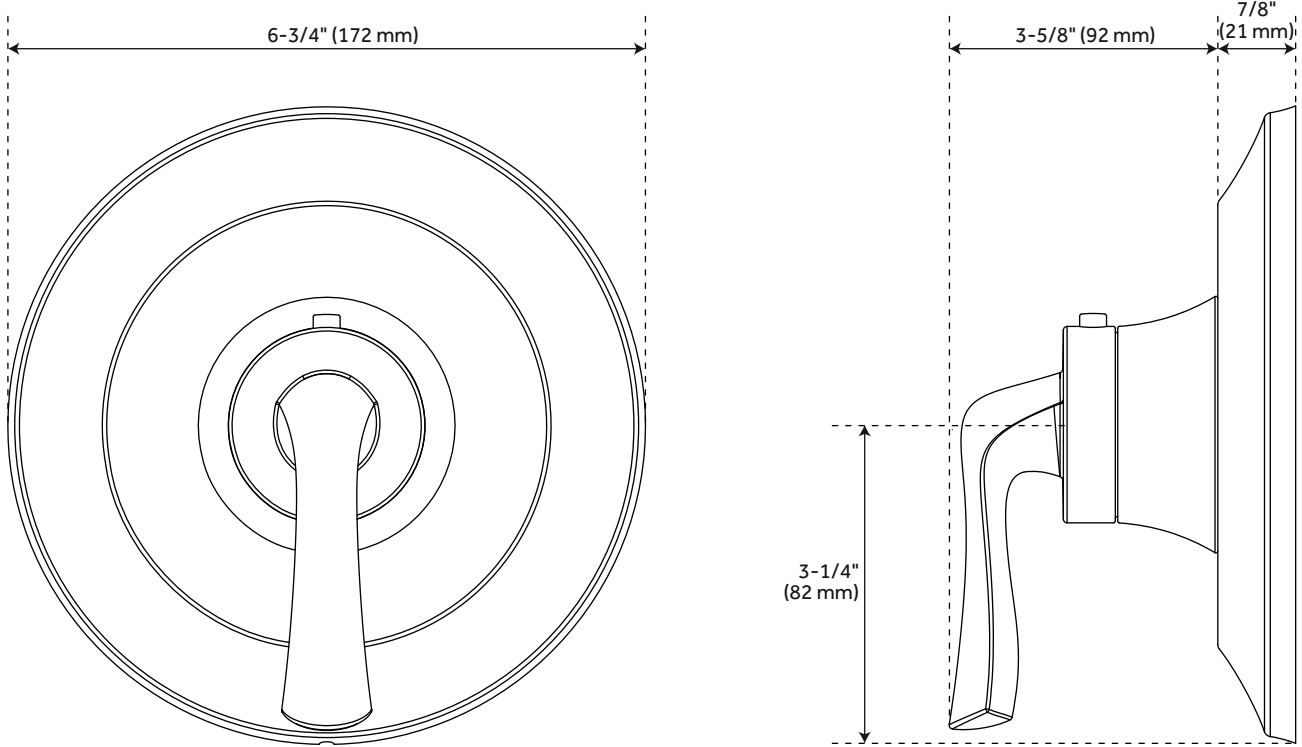
All dimensions and specifications are nominal and may vary. Use actual products for accuracy in critical situations.

PAGE 3
CODE: SH6020, SH6040

PROVINCETOWN

THERMOSTATIC SHOWER VALVE TRIM KIT

SKU: 948559



FEATURES

Diameter: 6-3/4"
Depth: 4-1/2"

CODES/STANDARDS

cUPC
ASME A112.18.1/CSA B125.1
Massachusetts Accepted

PRODUCT IMAGE



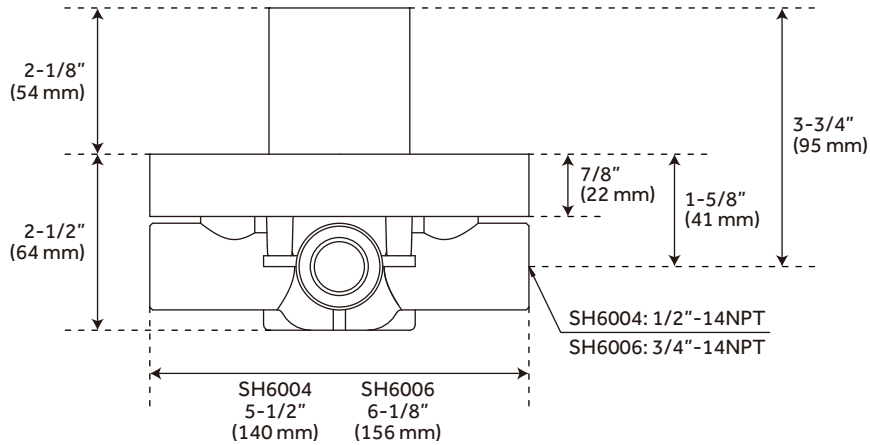
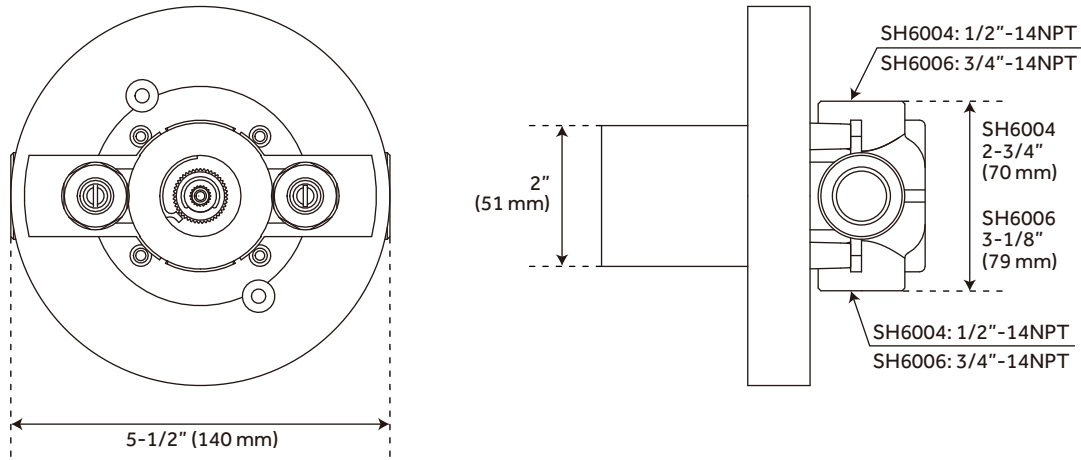
All dimensions and specifications are nominal and may vary. Use actual products for accuracy in critical situations.

PAGE 4
CODE: SHPR9009

PROVINCETOWN

OPTIONAL THERMOSTATIC VALVE WITH 1/2" -OR- 3/4" CONNECTION

SKU: 948559



FEATURES

- Bronze Valve Body
- Ceramic Cartridge
- Integral Water Stops and Check Valve
- Recommended Valve Installation Depth 1-5/8" to 2-3/8"
- Must Be Installed in Accordance With Provided Installation Instructions

CODES/STANDARDS

- cUPC
- ASME A112.18.1/CSA B125.1
- ASSE 1016 Type T
- Massachusetts Accepted

PRODUCT IMAGE



All dimensions and specifications are nominal and may vary. Use actual products for accuracy in critical situations.

PAGE 5
Code: SH6004, SH6006