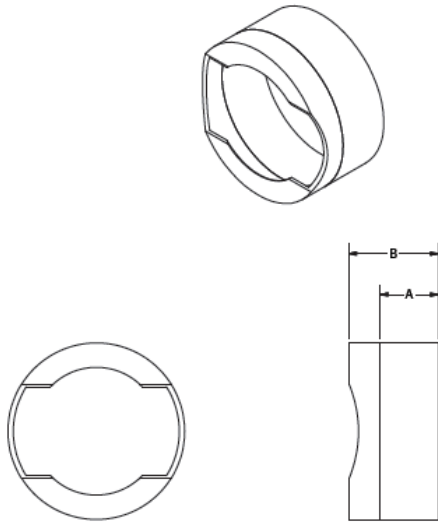




# QCR\_XPC

## Zurn PEX® QickCap® Copper Crimp Ring

Dimensional Data (inches and [ mm ]) are subject to manufacturing tolerances and change without notice



Size	A	B
1/2"	0.32"	0.49"
3/4"	0.32"	0.49"
1"	0.37"	0.54"
1-1/4"	0.55"	0.82"
1-1/2"	0.65"	0.94"
2"	0.75"	1.14"

### ENGINEERING SPECIFICATIONS

Zurn PEX QickCap® Copper Crimp Rings with Positioning End Cap are for use with Zurn PEX tubing and fittings in potable hot and cold water supply application for commercial and residential plumbing systems. The copper portion of the crimp ring meets the requirements of ASTM F1807. The QickCap Crimp Rings with Positioning End Cap are available for 1/2" - 2" Zurn PEX tube sizes.

### ACCESSORIES

QCRT3CM	1/2" Medium Crimp Tool
QCRT4CM	3/4" Medium Crimp Tool
QCRT3T	1/2" Large Crimp Tool
QCRTJT	5/8" Large Crimp Tool
QCRT4T	3/4" Large Crimp Tool
QCRT5T	1" Large Crimp Tool
QCQT23N	3/8" and 1/2" Close Quarters Crimp Tool
QCQT34N	1/2" and 3/4" Close Quarters Crimp Tool
QGA234P	3/8", 1/2", 3/4" Go/No Go Crimp Gauge
QGA5N	1" Go/No Go Crimp Gauge
QGA6	1-1/4" Go/No Go Crimp Gauge
QGA7	1-1/2" Go/No Go Crimp Gauge
QGA8	2" Go Crimp Gauge
QCRBTKIT	3/8", 1/2", 3/4", and 1" Battery Powered Crimp Tool Kit
QCRBTKIT56	1" and 1-1/4" Battery Powered Crimp Tool Kit
QCRTLDM	Zurn PEX Large Diameter Compact Crimp Tool
QCRBKIT56-14V	Zurn PEX 14V Battery-Powered Crimp Tool Kit (1", 1 1/4")
QBJ6	1-1/4" Zurn PEX Crimp Head
QBJ7	1-1/2" Zurn PEX Crimp Head
QBJ8	2" Zurn PEX Crimp Head

Product No	Description	Bag Qty.	Carton Qty.
QCR3XPC	1/2" PEX Copper Crimp Ring with Positioning Cap	100	1000
QCR4XPC	3/4" PEX Copper Crimp Ring with Positioning Cap	100	500
QCR5XPC	1" PEX Copper Crimp Ring with Positioning Cap	100	500
QCR6XPC	1-1/4" PEX Copper Crimp Ring with Positioning Cap	50	250
QCR7XPC	1-1/2" PEX Copper Crimp Ring with Positioning Cap	25	100
QCR8XPC	2" PEX Copper Crimp Ring with Positioning Cap	25	100