

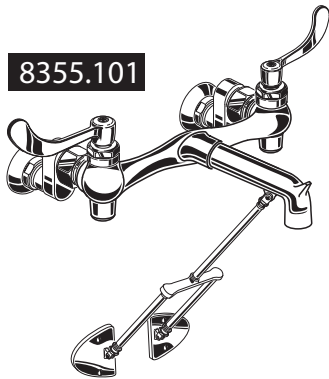
American Standard

Exposed Yoke Wall Mount Utility Faucet with Bottom Brace

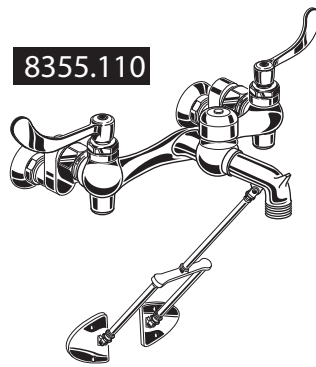
MODEL NUMBER

8355.110.002
8355.101.002
8345.115.002

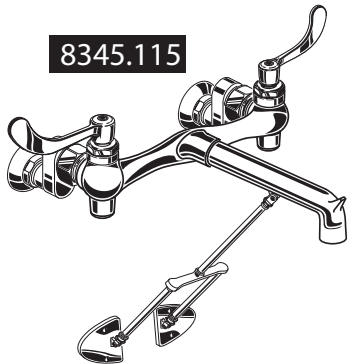
8355.101



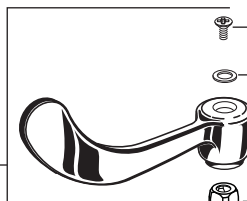
8355.110



8345.115



051217-0020A
WRIST BLADE HANDLE



000690-0020A
HANDLE SCREW
051211-0070A
INDEX KIT (PAIR)

M918014-0070A
ADAPTER

M962952-0020A
VACUUM BREAKER REPAIR KIT

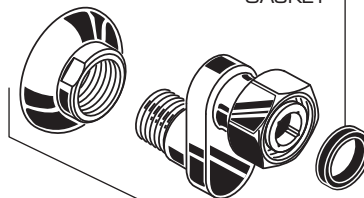
904939-0020A
BONNET NUT



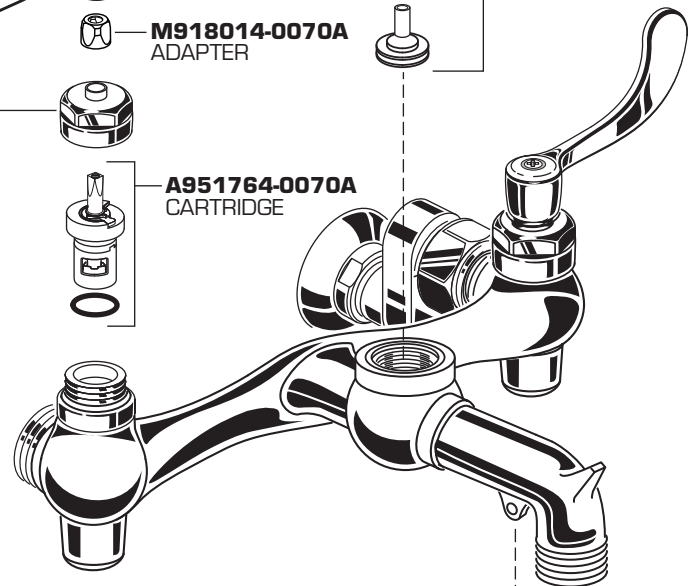
A951764-0070A
CARTRIDGE



M911631-0070A
GASKET



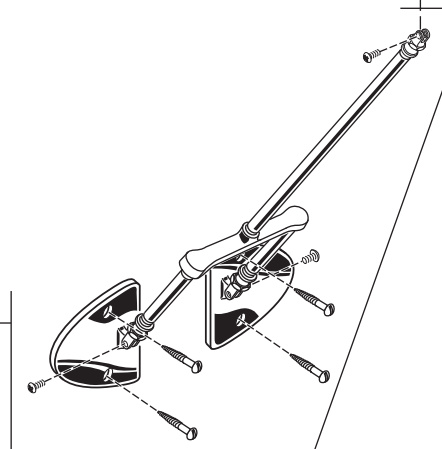
M962975-0020A
FEMALE OFF-SET SHANK KIT WITH ESCUTCHEON



Appropriate Finish Code

CHROME **002**

M962091-0020A
SPOUT BRACE



HOT LINE FOR HELP

For toll-free information and answers to your questions, call:
 1-800-442-1902
 Weekdays 8:00 a.m. to 6:00 p.m. EST
 IN CANADA 1-800-387-0369 (TORONTO 1-905-306-1093)
 Weekdays 8:00 a.m. to 7:00 p.m. EST
 IN MEXICO 01-800-839-1200



Product names listed herein are trademarks of American Standard Inc.
 © AS America, Inc. 2010