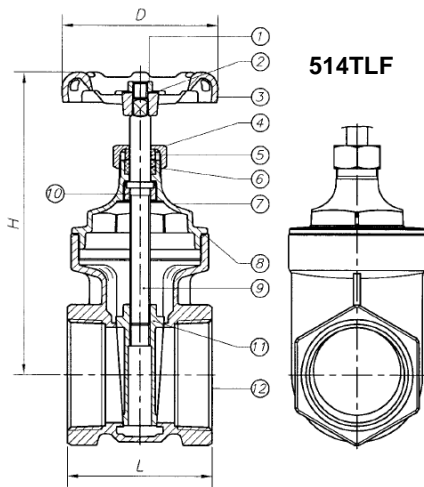


# 514LF Full Port Gate Valve • Spec Sheet



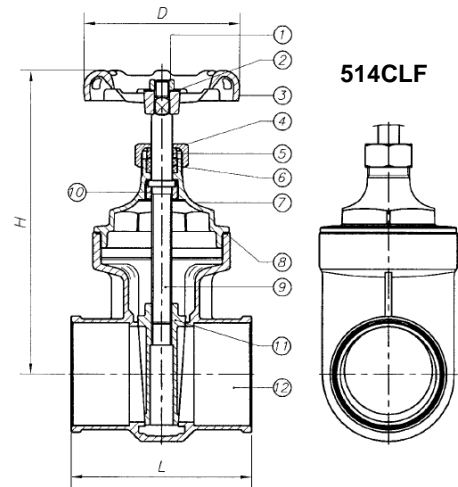
## FEATURES & BENEFITS

- Lead Free Brass\*
- ISO-9002
- 200WOG-125SWP
- Full Port
- Non-Rising Stem
- Threaded Bonnet
- Threaded Ends Conform to ANSI Standards B2.1
- Solder Ends Conforms to ANSI Standards B16.18
- Valves are Tested in Accordance w/ MSS-SP-82
- Certified NSF/ANSI 372 by Truesdail Lab to Comply with Section 1417 of the US SDWA
- Available With Cross Handles (See Page 2)
- Sizes 1/4" – 4"



## DIMENSIONS

Part # IPS	Part # C X C	Size	D IPS	H IPS	L IPS	D C X C	H C X C	L C X C
514T01LF	-	1/4"	2.09	2.92	1.71	-	-	-
514T02LF	-	3/8"	2.09	2.92	1.71	-	-	-
514T03LF	514C03LF	1/2"	2.09	2.92	1.71	2.09	2.92	1.69
514T04LF	514C04LF	3/4"	2.13	3.31	1.81	2.13	3.31	2.32
514T05LF	514C05LF	1"	2.48	3.90	2.13	2.48	3.90	2.72
514T06LF	514C06LF	1-1/4"	2.72	4.61	2.25	2.72	4.61	2.94
514T07LF	514C07LF	1-1/2"	3.15	5.08	2.44	3.15	5.08	3.33
514T08LF	514C08LF	2"	3.53	5.99	2.70	3.53	5.99	3.98
514T09LF	514C09LF	2-1/2"	3.98	7.88	2.70	3.98	7.88	4.61
514T10LF	514C10LF	3"	4.37	8.83	4.02	4.37	8.83	5.32
514T11LF	514C11LF	4"	5.00	9.89	4.53	5.00	9.89	6.37



## MATERIAL SPECIFICATIONS

No.	Parts	Material
1	Wheel Nut	Brass B124 C37700
2	Name Plate	Aluminum
3	Handle Wheel	Cast Iron
4	Packing Nut	Brass B16 C36000
5	Gland Ring	Brass B16 C36000
6	Gland Packing	Graphite
7	Bonnet	Brass C89550
8	Packing	FIBRE
9	Stem	Brass C89550
10	Lock Nut	Brass C89550
11	Disc	Brass C89550
12	Body	Brass C89550

\*This product complies with 0.25% weighted average lead content on wetted surfaces in accordance with the Safe Drinking Water Act (SDWA) / Federal Public Law No. 111-380.



Global sourcing. National compliance. Local service.

**CALIFORNIA** 5595 Fresca Dr., La Palma CA 90623  
**TEXAS** 1150 Silber Rd., Houston TX 77055  
**ILLINOIS** 278 Windy Point Dr., Glendale Heights, IL 60139  
**GEORGIA** 113 Industrial Blvd., Americus, Georgia 31709  
**NEW YORK** PO Box 27, Rt.22, Brewster NY 10509  
 WEB: [www.matco-norca.com](http://www.matco-norca.com)

• Phone: 866-532-8306 • Fax: 866-532-8307  
 • Phone: 800-935-5456 • Fax: 713-680-2999  
 • Phone: 844-412-5068 • Fax: 800-640-2252  
 • Phone: 800-433-7526 • Fax: 800-533-5134  
 • Phone: 800-431-2082 • Fax: 845-278-9056  
 EMAIL: [mail@matco-norca.com](mailto:mail@matco-norca.com)