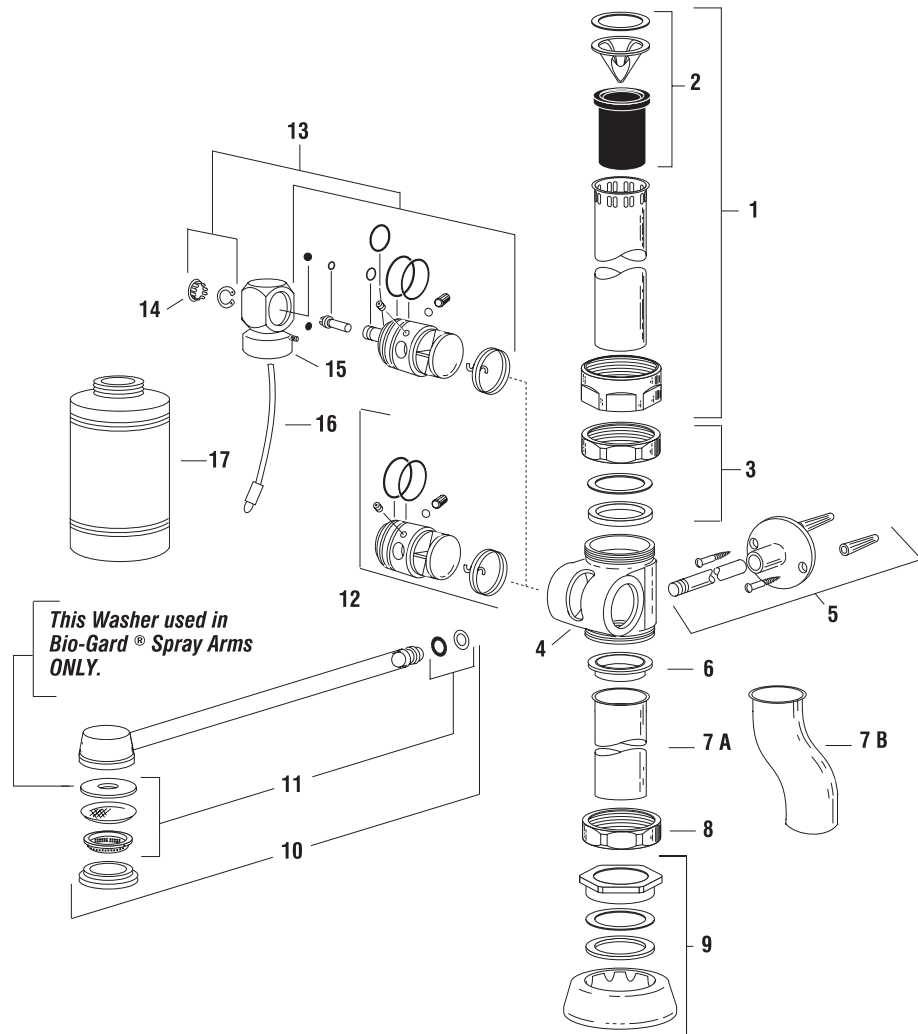
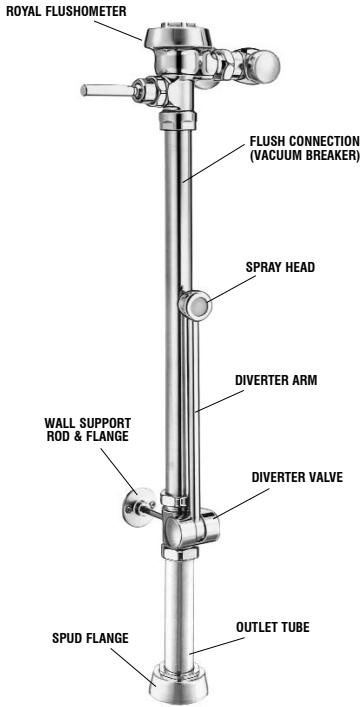


SLOAN® FLUSHOMETERS

slimline® Bedpan Washer Maintenance Guide

See Royal Flushometer Troubleshooting and Maintenance Guide for ALL Valve Kits and Components.



PARTS LIST

- | | | | |
|-----|----------------|-----------|--|
| 1. | 0393009 | V-600-AA | 11/2" x 211/2" CP Vacuum Breaker |
| | 0393008 | V-600-AA | 11/2" x 131/2" CP Vacuum Breaker (ADA height) |
| | 0393029 | V-600-AA | 11/2" x 211/2" CP Vacuum Breaker w/2" Offset |
| 2. | 3323182 | V-651-A | Vacuum Breaker Repair Kit |
| 3. | 0306093 | F-2-A | 11/2" Slip Joint Coupling |
| 4. | 0309001 | DV-1 | Diverter Valve Body |
| 5. | 3309035 | DV-1001-A | Wall Support Kit |
| 6. | 0309027 | F-1003 | Outlet Tube Gasket |
| 7A. | 0309029 | F-1005 | Outlet Tube |
| 7B. | 0396525 | F-182 | Outlet Tube w/11/2" Offset |
| 8. | 0306045 | F-2 | 11/2" Coupling Nut |
| 9. | 0306146 | F-5-A | 11/2" Spud Coupling Assembly |
| 10. | 3309044 | DV-32-AA | Spray Arm Replacement Kit |
| | 3309016 | DV-1013-A | Bio-Gard Spray Arm Replacement Kit |
| | 3309077 | DV-1014-A | Short Spray Arm Replacement Kit (for use w/F-182 Offset Outlet Tube) |
| 11. | 3309032 | DV-1007-A | Spray Arm Repair Kit |
| 12. | 3309037 | DV-1003-A | Pivot Replacement Kit |
| 13. | 3309036 | DV-1002-A | Deoseptic Pivot Replacement Kit |
| 14. | 0309024 | DV-21 | Plug Button |
| 15. | 0309033 | DV-33-A | Swivel & Ball Check Assembly |
| 16. | 0309036 | DV-36-A | Aspirator Tube Assembly |
| 17. | 0309018 | DV-29 | Deoseptic Solution Bottle |

BEDPAN WASHER REBUILD KITS		
CODE NO.	KIT NO.	DESCRIPTION
5309031	DV-50-A	DIVERTER REBUILD KIT
		Includes Outlet Tube Gasket (item 6), Spray Arm Repair Kit (item 11), and all items in Pivot Replacement Kit (item 12) except Pivot.
3309040	DV-1004-A	DEOSEPTIC DIVERTER REBUILD KIT
		Includes Outlet Tube Gasket (item 6), Spray Arm Repair Kit (item 11), and all items in Pivot Replacement Kit (item 13) except Pivot.
To convert a Standard Diverter Assembly to a Deoseptic Diverter Assembly use:		
3309048	DV-1005-A	DEOSEPTIC CONVERSION KIT

The information contained in this document is subject to change without notice.

SLOAN VALVE COMPANY • 10500 SEYMOUR AVENUE • FRANKLIN PARK, IL 60131

Phone: 1-800-9-VALVE-9 or 1-847-671-4300 • Fax: 1-800-447-8329 or 1-847-671-4380 • <http://www.sloanvalve.com>

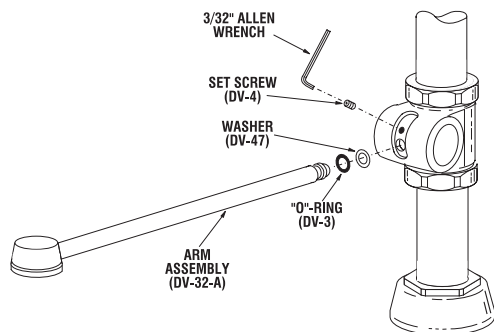
Troubleshooting and Maintaining the Sloan Slimline® Bedpan Washer

See Royal Flushometer Troubleshooting and Maintenance Guide for all problems regarding the flushometer valve and the flushing discharge.

1. PROBLEM: Diverter leaking at Spray Arm.

- CAUSE:** (a.) Diverter Spray Arm (old style) is damaged.
(b.) Spray Arm O-Ring is damaged or installed improperly.

- SOLUTION:** (a.) Replace Diverter Arm with new Spray Arm Replacement Kit.
NOTE: On old style diverter Spray Arm, the Spray Arm O-Ring was placed on groove at the end of the Spray Arm. When installing new Spray Arm Kit, place Washer into bottom of hole of Nozzle Pivot. Then place the O-Ring on top of Washer. Insert new Spray Arm into the Pivot, pressing in slightly. While holding Spray Arm in place, tighten Set Screw.
(b.) Re-install O-Ring as described above in step (a.). If leakage persists replace using *Spray Arm Kit DV-1007-A*.



2. PROBLEM: Diverter leaking at Nozzle Pivot.

- CAUSE:** (a.) One or both Pivot O-Rings are worn.
(b.) Diverter Seal Washer worn or missing.
(c.) Nozzle Pivot damaged or defective.

- SOLUTION:** (a.) Replace Nozzle Pivot Assembly. Use *Pivot Replacement Kit*.
(b.) Replace Pivot Seals. Use *Diverter Rebuild Kit*.
(c.) Replace Nozzle Pivot Assembly. Use *Pivot Replacement Kit*.

3. PROBLEM: Erratic spray pattern from Spray Arm Nozzle.

- CAUSE:** (a.) Debris clogging Nozzle Screen.
(b.) Damaged or missing Nozzle Screen or Spray Disc.

- SOLUTION:** (a.) Wash Nozzle Screen under running water.
(b.) Replace using DV-1007-A *Spray Arm Replacement Kit*.

4. PROBLEM: Deoseptic Solution not siphoning from Bottle during flush cycle (Deoseptic models only).

- CAUSE:** (a.) Adjusting Screw not open.
(b.) Aspirator Tube Screen clogged.
(c.) Aspirator Tube not installed completely onto Swivel & Ball Check Assembly.
(d.) Aspirator Tube cracked.
(e.) Rubber Ball Check stuck inside Swivel & Ball Check Assembly.

- SOLUTION:** (a.) Open Adjusting Screw until adequate amount of solution is siphoned from Bottle during flush cycle.
(b.) Remove Solution Bottle. Remove Aspirator Tube from Swivel & Ball Check Assembly and wash Screen under running water.
(c.) Remove Solution Bottle. Make sure Aspirator Tube is pushed completely onto nipple of Swivel and Ball Check Assembly.
(d.) Replace Aspirator Tube Assembly.
(e.) Remove Solution Bottle and Aspirator Tube from Swivel & Ball Check Assembly. Gently insert small implement (paper clip, small dia. hex key, etc.) into nipple of Swivel & Ball Check Assembly to dislodge Rubber Ball Check. Stop pushing once water starts to trickle from nipple.
NOTE: If Ball is pushed too hard or too far it may fall out of seat. Should this occur, the Swivel & Ball Check Assembly must be removed and Ball replaced. To do this, remove Retaining Ring using retaining clip pliers. Pull Swivel & Ball Check Assembly off of Adjusting Screw being careful not to drop Rubber Ball Check. Place Rubber Ball back into seat of Swivel & Ball Check Assembly and reassemble. If Ball and Seals appear worn rebuild.

5. PROBLEM: Water leaking back into Solution Bottle.

- CAUSE:** (a.) Rubber Ball damaged or missing.
(b.) Rubber Ball not sitting in seat of Swivel & Ball Check Assembly.

- SOLUTION:** (a.) Replace Rubber Ball using DV-1004-A *Deoseptic Diverter Rebuild Kit*
(b.) Remove Swivel & Ball Check Assembly taking care not to lose Rubber Ball. Insert Rubber Ball back into seat of Swivel & Ball Check Assembly and reassemble.
NOTE: Follow steps in Solution (e.) of Problem 4.

REBUILDING THE SLOAN SLIMLINE DIVERTER ASSEMBLY:

To disassemble Diverter Valve:

Loosen Set Screw and remove Spray Arm from Pivot. Slide Pivot out of Diverter Valve Body.

To further disassemble Deoseptic Diverter:

Remove Plug Cap and Retaining Ring. Slide Swivel and Ball Check Assembly off Pivot shaft, exposing all internal components. **NOTE:** This disassembly can be done without removing Pivot Assembly from Diverter Valve Body.

CARE AND CLEANING INSTRUCTIONS

DO NOT use abrasive or chemical cleaners to clean Flushometers as they may dull the luster and attack the chrome or special decorative finishes. Use ONLY soap and water, then wipe dry with clean cloth or towel. While cleaning the bathroom tile, the Flushometer should be protected from any splattering of cleaner. Acids and cleaning fluids can discolor or remove chrome plating.

If further assistance is required, please contact Sloan Valve Company Installation Engineering Dept. at 1-888-SLOAN-14.

The information contained in this document is subject to change without notice.

SLOAN VALVE COMPANY • 10500 SEYMOUR AVENUE • FRANKLIN PARK, IL 60131

Phone: 1-800-9-VALVE-9 or 1-847-671-4300 • Fax: 1-800-447-8329 or 1-847-671-4380 • <http://www.sloanvalve.com>