

KOHLER®

Vault™
under-mount kitchen sink
K-25939

Features

- 36" minimum base cabinet width.
- Large single bowl.
- 5-1/2" depth.
- Rear drain increases workspace in the sink and storage space underneath.
- SilentShield® sound-absorption technology offers quieter performance.
- Includes installation hardware.

Material

- Handcrafted from 18-gauge stainless steel.
- Premium 18-gauge stainless steel.

Installation

- No faucet holes.
- Undermount.

Recommended Products/Accessories

- K-8801 Sink Strainer
- K-8799 Sink Strainer
- K-23726 Drain treatment
- K-23729 Stainless steel cleaner

Optional Products/Accessories

- K-6429 Utility Rack
- K-6644 Sink rack for Vault™ and Strive® kitchen sinks
- K-11352 Disposal Flange with Stopper

Included Components

- Product consists of:
- 91915 Hardware Kit



ADA

Codes/Standards

ASME A112.19.3/CSA B45.4
ADA
ICC/ANSI A117.1

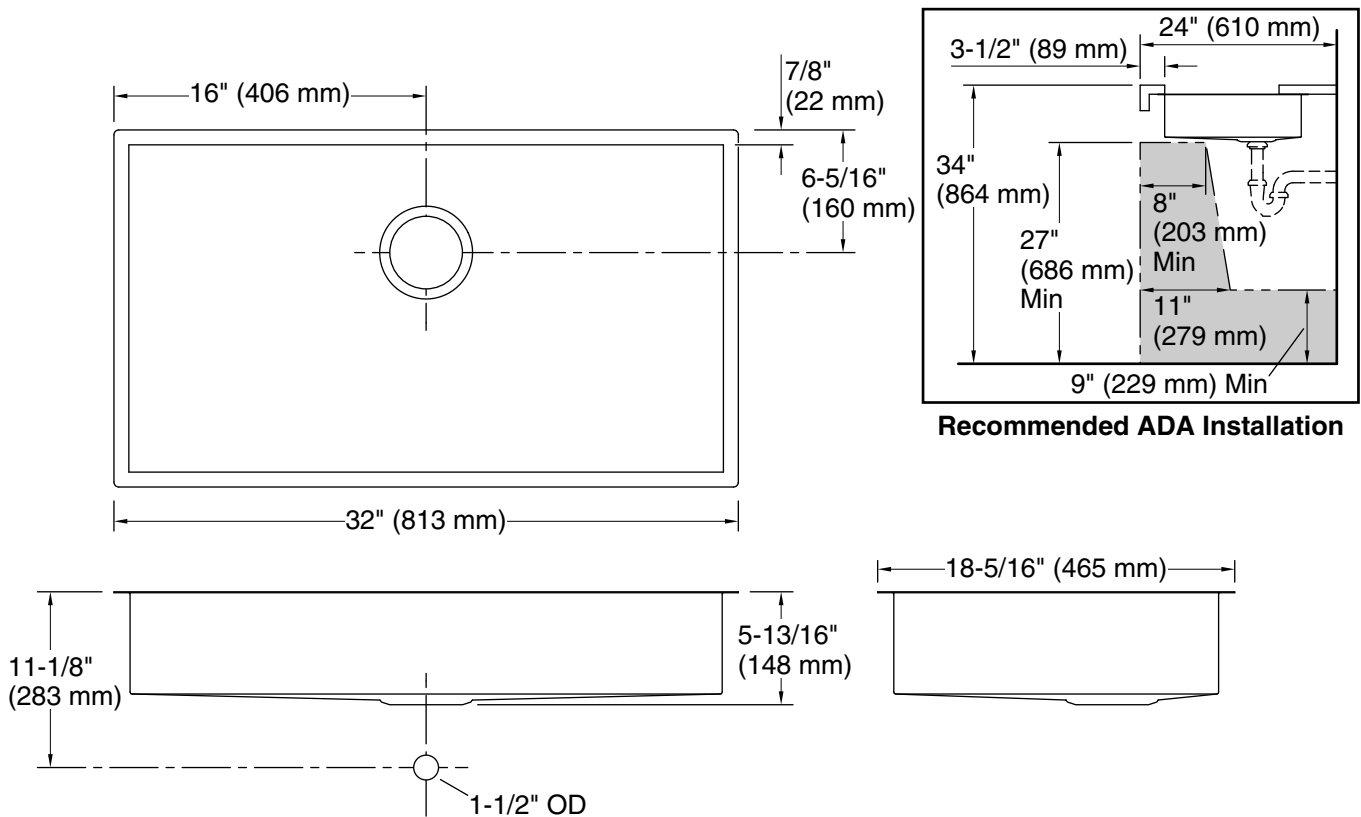
Lifetime Limited Warranty for KOHLER® Stainless Steel Sinks

See website for detailed warranty information.

1-800-4KOHLER (1-800-456-4537)

Kohler Co. reserves the right to make revisions without notice to product specifications.
For the most current Specification Sheet, go to www.kohler.com.

THE BOLD LOOK
OF **KOHLER®**



Technical Information

All product dimensions are nominal.

Bowl configuration:	Single
Installation:	Undermount
Bowl area (Only):	Length: 30-1/4" (768 mm) Width: 16-9/16" (420 mm) Bowl depth: 5-1/2" (140 mm) Water depth: 5-1/2" (140 mm)
Drain hole:	3-5/8" (92 mm)
Template:	1207216-7, required, included

Notes

Install this product according to the installation instructions.

Allow 3/4" (19 mm) clearance beyond the back of the bowl for the wood cutting board (optional accessory).

ADA compliant when installed to the specific requirements of these regulations.