

# 63" VERIA

ACRYLIC FREESTANDING TUB

SKU: 948790



## FEATURES

Design: Modern  
Product Finish: White  
Features: Integral Drain & Overflow  
Overflow Hole: Yes  
Integral Drain & Overflow : Yes  
Shape: Rectangular  
Material: Acrylic  
Length: 63"  
Width: 29"  
Height: 23-1/4"  
Tub Interior Length: 21"  
Tub Interior Width: 14"  
Water Depth To Overflow: 44"  
Drain Included: Yes  
Faucet Included: No  
Built-In Adjusters: Yes  
Tub Weight Uncrated (lbs): 111  
Tub Weight Crated (lbs): 221

## CONTENTS

AIR TUB ..... PAGE 2  
63" TUB ..... PAGE 3

## SIGNATURE HARDWARE Lifetime Warranty

See website for detailed warranty information.

REVISED 9/3/2019

# 63" VERIA AIR TUB

## COMPONENTS LIST

- BM-TWP BALL CHECK VALVE JETS
- MANI-SD-A SECURITY DEVICE
- MAN-A-4-AC MANIFOLD
- SILVER SLS+ VARIABLE SPEED BLOWER

## INSTALLATION

Install blower behind a wall (with an access panel) or in a closet. Blower can also be installed under floor. Ensure the security device, MANI-DS-A, is at least:

- 2" Above the bottom of overflow hole OR
- 2" Above the tub rim

## REMOTE CONTROL

- CG+/RTC-SENSOR-WP
- 12 – 15 YEAR BATTERY LIFE

## INSIDE OF BATH

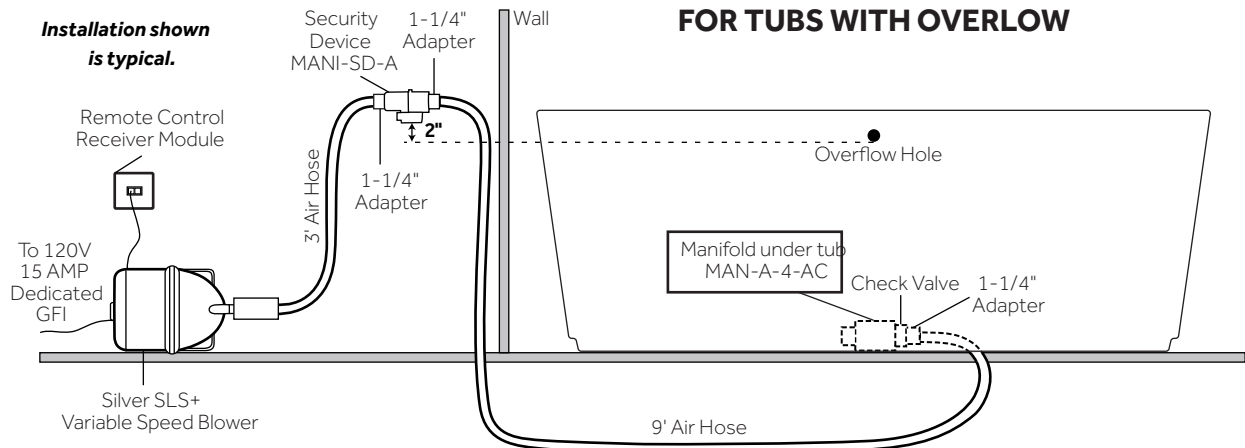
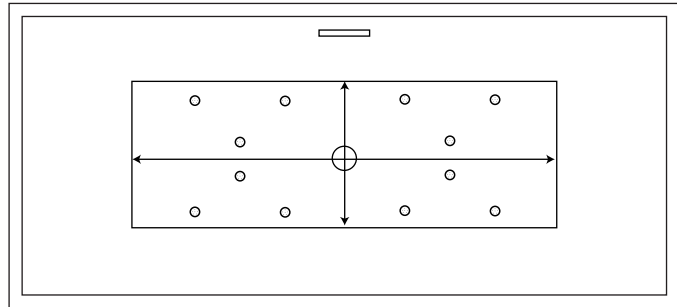
- (12) MAXI AIR JETS WITH 24 OPENINGS



ELBOWS FOR AIR JETS



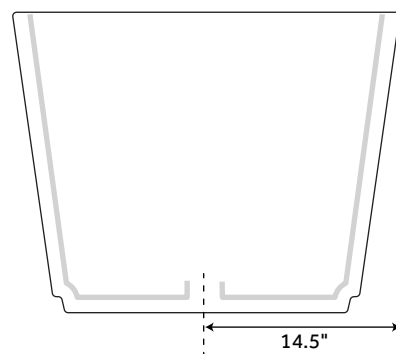
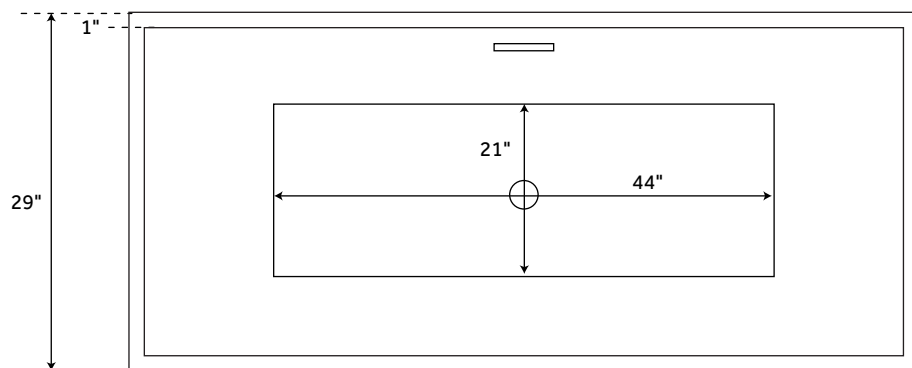
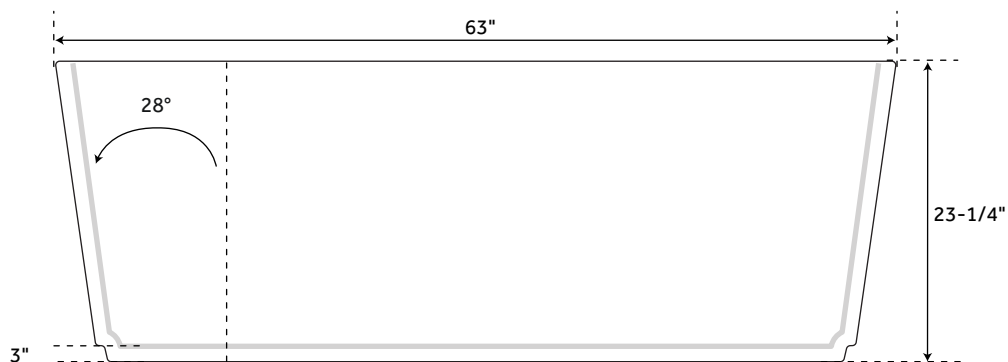
TEES FOR AIR JETS



# 63" VERIA

## ACRYLIC FREESTANDING TUB

SKU: 948790



### FEATURES

Design: Modern  
Product Finish: White  
Features: Integral Drain & Overflow  
Overflow Hole: Yes  
Integral Drain & Overflow : Yes  
Shape: Rectangular  
Material: Acrylic  
Length: 63"  
Width: 29"  
Height: 23-1/4"  
Tub Interior Length: 21"  
Tub Interior Width: 14"  
Water Depth To Overflow: 44"  
Drain Included: Yes  
Faucet Included: No  
Built-In Adjusters: Yes  
Tub Weight Uncrated (lbs): 111  
Tub Weight Crated (lbs): 221  
Weight Uncrated: 111 lbs.  
Weight Crated: 221 lbs.  
Water Depth To Rim: 17"  
Water Depth To Overflow: 14"

### SIGNATURE HARDWARE LIFETIME WARRANTY

See website for warranty information



PAGE 3