



SPECIFICATION SHEET

DRHP14 Series

HEAT PUMPS



EFFICIENCIES:
14 SEER/11.5 EER/8.20 HSPF

NOMINAL SIZES:
1.5 TO 5 TONS [5.28 TO 17.6 KW]

PRODUCT FEATURES

- Coils constructed with copper tubing and enhanced aluminum fins.
- Includes factory installed low pressure control.
- Strong, attractive cabinet—louvered design protects the coil from damage.
- Expansion Valves with Internal Check Valve—Provides for quieter refrigerant metering.
- Demand Defrost Control
- Non-Cycling Reversing Valve
- Hot Gas Muffler
- Service Valves
- Grille/motor mount for quiet fan operation.
- Easily accessible control box.
- Bi-Directional Filter Drier (shipped – not installed)
- Certified and rated under AHRI Standard 240.
- U.L listed.

APPLICATIONS

Durastar remote heat pumps offer comfort and dependability for single, multi-family and light commercial applications.

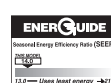




TABLE OF CONTENTS

Model Number Identification	3
Available SKUs	3
Electrical & Physical Data	4
Weighted Sound Power	4
Unit Dimensions.....	5
Refrigerant Line Size Information	6-9
Performance Data	10
Limited Warranty	11



Heat Pumps***

<u>DR</u>	<u>HP</u>	<u>14</u>	<u>A</u>	<u>24</u>	<u>A</u>	<u>J</u>	<u>1</u>	<u>N</u>	<u>A</u>
Brand	Product Category	SEER		Capacity BTU/HR	Major Series*	Voltage	Type	Controls	Minor Series**
Durastar	P - Heat Pump	14 - 14 SEER	A - R410A	18 - 18,000 [5.28 kW] 24 - 24,000 [7.03 kW] 30 - 30,000 [8.79 kW] 36 - 36,000 [10.55 kW] 42 - 42,000 [12.31 kW] 48 - 48,000 [14.07 kW] 60 - 60,000 [17.58 kW]	A - 1st Design B - 2nd Design	J - 1ph, 208-230/60	1 - Single-stage	N - Non-Communicating	A - 1st Design

[] Designates Metric Conversions

Available SKUs

Available Models
DRHP14A18AJ1NA
DRHP14A18BJ1NA
DRHP14A24AJ1NA
DRHP14A30AJ1NA
DRHP14A36AJ1NA
DRHP14A42AJ1NA
DRHP14A48AJ1NA
DRHP14A60BJ1NA



Electrical and Physical Data

Model Number DRHP14	ELECTRICAL							PHYSICAL						
	Phase Frequency (Hz) Voltage (Volts)	Compressor		Fan Motor Full Load Amperes (FLA)	Minimum Circuit Ampacity Amperes	Fuse or HACR Circuit Breaker		Outdoor Coil			Refrig. Per Circuit Oz. [g]	Weight		
		Rated Load Amperes (RLA)	Locked Rotor Amperes (LRA)			Minimum	Maximum	Face Area Sq. Ft. [m ²]	No. Rows	CFM [L/s]		Net Lbs. [kg]	Shipping Lbs. [kg]	
Rev. 11/29/2016														
18A	1-60-208-230	9/9	48	0.5	12/12	15/15	20/20	11.06 [1.03]	1	1572 [742]	79 [2240]	145 [65.8]	152 [68.9]	
18B	1-60-208-230	9/9	48	0.8	13/13	15/15	20/20	13.72 [1.27]	1	2590 [1222]	100 [2835]	154 [69.9]	164 [74.4]	
24A	1-60-208-230	12.8/12.8	58.3	0.5	17/17	20/20	25/25	11.06 [1.03]	1	2370 [1118]	79 [2240]	145 [65.8]	152 [68.9]	
30A	1-60-208-230	14.1/14.1	73	0.8	19/19	25/25	30/30	13.72 [1.27]	1	2800 [1321]	97 [2750]	201 [91.2]	208 [94.3]	
36A	1-60-208-230	16.7/16.7	79	1.2	23/23	30/30	35/35	16.39 [1.52]	1	3575 [1687]	101 [2863]	207 [93.9]	214 [97.1]	
42A	1-60-208-230	17.9/17.9	112	1.2	24/24	30/30	40/40	21.85 [2.03]	1	3575 [1687]	140 [3969]	220 [99.8]	227 [103.0]	
48A	1-60-208-230	21.8/21.8	117	1.0	29/29	35/35	50/50	21.85 [2.03]	1	3575 [1687]	146 [4139]	223.5 [101.4]	230.5 [104.6]	
60B	1-60-208-230	25/25	134	2.8	35	45/45	50/50	21.85 [2.03]	2	4100 [1935]	275 [7796]	265 [120.2]	280 [127.0]	

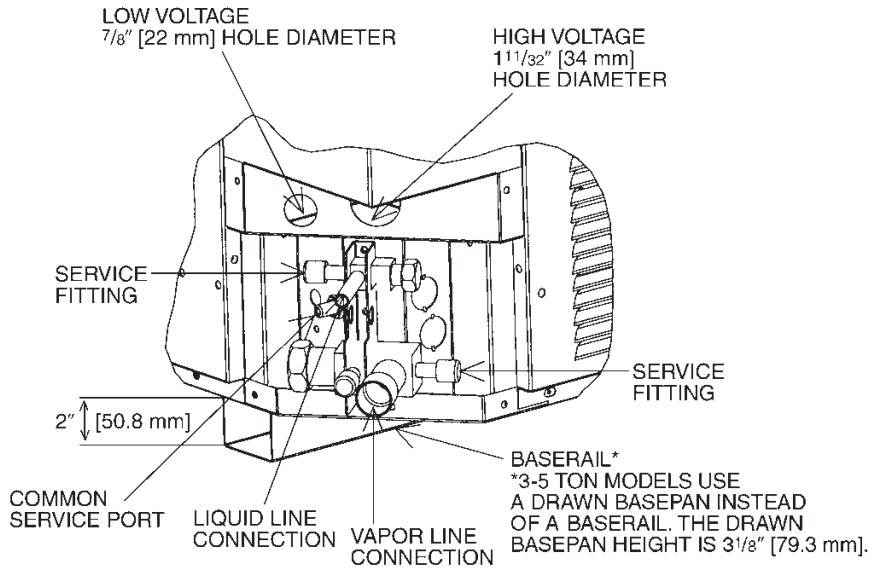
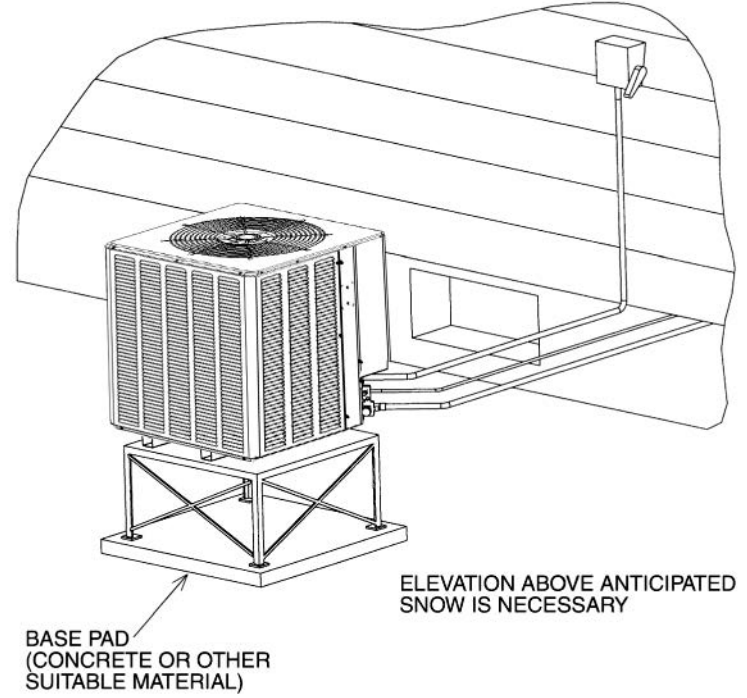
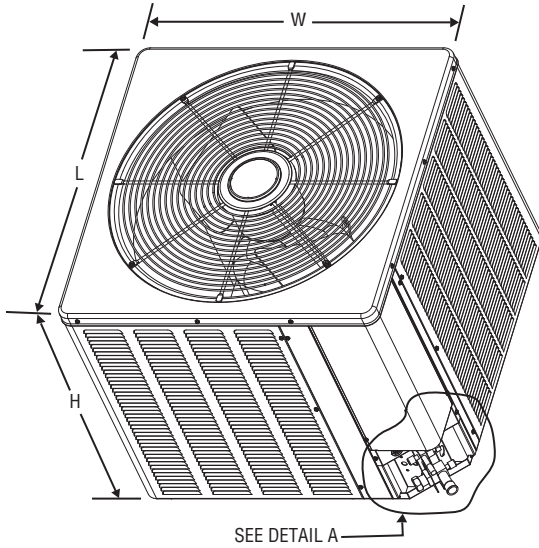
NOTES:

- ① 20 Fins per inch.
- ② Factory charged for 15 ft. line set.

Weighted Sound Power Level (dBA)

Unit Size – Voltage, Series	Standard Rating (dBA)
DRHP14A18A	75
DRHP14A18B	77
DRHP14A24A	72
DRHP14A30A	76
DRHP14A36A	74
DRHP14A42A	77
DRHP14A48A	74
DRHP14A60B	77

Unit Dimensions



DETAIL A

MODEL NUMBER DRHP	OPERATING						SHIPPING					
	H (Height)		L (Length)		W (Width)		H (Height)		L (Length)		W (Width)	
	INCHES	mm	INCHES	mm	INCHES	mm	INCHES	mm	INCHES	mm	INCHES	mm
14A18AJ1NA	26.25	667	23.625	600	23.625	600	26.25	667	23.625	600	23.625	600
14A18BJ1NA	26.25	667	27.625	702	27.625	702	26.25	667	27.625	702	27.625	702
14A24AJ1NA	26.25	667	23.625	600	23.625	600	26.25	667	23.625	600	23.625	600
14A30AJ1NA	26.25	667	27.625	702	27.625	702	26.25	667	27.625	702	27.625	702
14A36AJ1NA	27.375	695	31.625	803	31.625	803	27.375	695	31.625	803	31.625	803
14A42AJ1NA	35.375	899	31.625	803	31.625	803	35.375	899	31.625	803	31.625	803
14A48AJ1NA	35.375	899	31.625	803	31.625	803	35.375	899	31.625	803	31.625	803
14A60BJ1NA	35.375	899	31.625	803	31.625	803	35.375	899	31.625	803	31.625	803



Heat Pump Refrigerant Line Size Information

14 SEER Single-Stage Heat Pumps														
Unit Size	Allowable Liquid Line Size	Allowable Vapor Line Size	Use Long Line Guidelines for Linear Line Lengths Greater Than Shown Below (Feet)		Outdoor Unit ABOVE or BELOW Indoor Unit									
			DRHP14--A	DRHP14--B	Equivalent Length (Feet)									
					Maximum Vertical Separation / Capacity Multiplier									
			< 25	26-50	51-75	76-100	101-125	126-150	151-175	176-200	201-225	226-250		
1.5 Ton **SEE NOTE 3	1/4"	5/8"	n/a	50/0.99	62/0.98	43/0.98	24/0.97	5/0.97	NR	NR	NR	NR	NR	
	5/16"	5/8"	195	50/0.99	75/0.98	98/0.98	93/0.97	88/0.97	83/0.96	78/0.96	73/0.95	68/0.94		
	3/8"	5/8"	130	50/0.99	75/0.98	100/0.98	100/0.97	100/0.97	100/0.96	100/0.96	100/0.95	100/0.94		
	1/4"	3/4**	n/a	50/1.00	62/0.99	43/0.99	24/0.99	5/0.99	NR	NR	NR	NR	NR	
	5/16"	3/4**	195	50/1.00	75/0.99	98/0.99	93/0.99	88/0.99	83/0.99	78/0.98	73/0.98	68/0.98		
	3/8"	3/4**	130	50/1.00	75/1.00	100/0.99	100/0.99	100/0.99	100/0.99	100/0.98	100/0.98	100/0.98	100/0.98	
2 Ton	1/4"	5/8"	n/a	50/0.98	21/0.97	NR	NR	NR	NR	NR	NR	NR	NR	
	5/16"	5/8"	195	50/0.98	75/0.97	87/0.96	77/0.95	69/0.94	61/0.93	53/0.92	45/0.91	37/0.90		
	3/8"	5/8"	130	50/0.98	75/0.97	100/0.96	100/0.95	100/0.94	98/0.93	95/0.92	93/0.91	90/0.90		
	1/4"	3/4"	n/a	50/1.00	21/0.99	NR	NR	NR	NR	NR	NR	NR	NR	
	5/16"	3/4"	195	50/1.00	75/0.99	87/0.99	77/0.98	69/0.98	61/0.98	53/0.97	45/0.97	37/0.96		
	3/8"	3/4"	130	50/1.00	75/0.99	100/0.99	100/0.98	100/0.98	98/0.98	95/0.97	93/0.97	90/0.96		
2.5 Ton	5/16"	5/8"	150	50/0.98	75/0.96	70/0.94	59/0.93	48/0.91	36/0.90	NR	NR	NR	NR	
	3/8"	5/8"	100	50/0.98	75/0.96	100/0.94	98/0.93	94/0.91	90/0.90	NR	NR	NR	NR	
	5/16"	3/4"	150	50/0.99	75/0.99	70/0.98	59/0.98	48/0.97	36/0.96	25/0.96	13/0.95	NR	NR	
	3/8"	3/4"	100	50/0.99	75/0.99	100/0.98	98/0.98	94/0.97	90/0.96	86/0.96	82/0.95	78/0.95		
	5/16"	5/8"	n/a	50/0.97	66/0.94	49/0.92	32/0.90	NR	NR	NR	NR	NR	NR	
	3/8"	5/8"	93	50/0.97	75/0.94	95/0.92	89/0.90	NR	NR	NR	NR	NR	NR	
3 Ton	5/16"	3/4"	140	50/0.99	66/0.98	49/0.98	32/0.97	15/0.96	NR	NR	NR	NR	NR	
	3/8"	3/4"	93	50/0.99	75/0.98	95/0.98	89/0.97	84/0.96	78/0.95	72/0.94	67/0.93	61/0.93		
	1/2"	3/4"	47	50/0.99	75/0.98	100/0.98	100/0.97	100/0.96	100/0.95	100/0.94	100/0.93	100/0.93		
	5/16"	7/8"	140	50/1.00	66/1.00	49/0.99	32/0.99	15/0.99	NR	NR	NR	NR	NR	
	3/8"	7/8"	93	50/1.00	75/1.00	95/0.99	89/0.99	84/0.99	78/0.98	72/0.98	67/0.98	61/0.97		
	1/2"	7/8"	47	50/1.00	75/1.00	100/0.99	100/0.99	100/0.99	100/0.98	100/0.98	100/0.98	100/0.97		
3.5 Ton	3/8"	3/4"	92	50/0.98	75/0.97	88/0.96	80/0.95	72/0.94	65/0.92	57/0.91	49/0.90	NR	NR	
	1/2"	3/4"	46	50/0.98	75/0.97	100/0.96	100/0.95	100/0.94	100/0.92	100/0.91	100/0.90	NR	NR	
	3/8"	7/8"	92	50/1.00	75/0.99	88/0.99	80/0.99	72/0.98	65/0.97	57/0.97	49/0.96	42/0.96		
	1/2"	7/8"	46	50/1.00	75/0.99	100/0.99	100/0.99	100/0.99	100/0.97	100/0.97	100/0.96	100/0.96		
	5/16"	5/8"	n/a	50/0.97	66/0.94	49/0.92	32/0.90	NR	NR	NR	NR	NR	NR	
	3/8"	5/8"	93	50/0.97	75/0.94	95/0.92	89/0.90	NR	NR	NR	NR	NR	NR	

NOTES:

- Do not exceed 200 ft linear line length.
- Do not exceed 100 ft vertical separation if outdoor unit is above indoor unit.
- **3/4" suction line should only be used for 1.5 ton systems if outdoor unit is below or at same level as indoor to assure proper oil return.
- Always use the smallest liquid line allowable to minimize refrigerant charge.
- Applications shaded in light gray indicate capacity multipliers between 0.90 and 0.96 which are not recommended, but are allowed.
- Applications shaded in dark gray are not recommended due to excessive liquid or suction pressure drop.



Heat Pump Refrigerant Line Size Information

14 SEER Single-Stage Heat Pumps														
Unit Size	Allowable Liquid Line Size	Allowable Vapor Line Size	Use Long Line Guide Lines for Linear Line Lengths Greater Than Shown Below (Feet)		Outdoor Unit ABOVE or BELOW Indoor Unit									
			DRHP14--A	DRHP14--B	Equivalent Length (Feet)									
			DRHP14--A	DRHP14--B	< 25	26-50	51-75	76-100	101-125	126-150	151-175	176-200	201-225	226-250
					Maximum Vertical Separation / Capacity Multiplier									
4 Ton	3/8"	3/4"	82	n/a	25 / 0.99	50 / 0.98	75 / 0.96	77 / 0.95	67 / 0.93	57 / 0.92	46 / 0.91	NR	NR	NR
	1/2"	3/4"	41	n/a	25 / 0.99	50 / 0.98	75 / 0.96	100 / 0.95	100 / 0.93	100 / 0.92	100 / 0.91	NR	NR	NR
	3/8"	7/8"	82	n/a	25 / 1.00	50 / 0.99	75 / 0.99	77 / 0.98	67 / 0.97	57 / 0.97	46 / 0.96	36 / 0.96	26 / 0.95	15 / 0.95
	1/2"	7/8"	41	n/a	25 / 1.00	50 / 0.99	75 / 0.99	100 / 0.98	100 / 0.97	100 / 0.97	100 / 0.96	100 / 0.96	99 / 0.95	97 / 0.95
5 Ton	3/8"	3/4"	0	0	25 / 0.99	50 / 0.97	75 / 0.94	61 / 0.92	46 / 0.90	NR	NR	NR	NR	NR
	1/2"	3/4"	0	0	25 / 0.99	50 / 0.97	75 / 0.94	100 / 0.92	100 / 0.90	NR	NR	NR	NR	NR
	3/8"	7/8"	0	0	25 / 1.00	50 / 0.99	75 / 0.98	61 / 0.97	46 / 0.96	32 / 0.95	18 / 0.94	NR	NR	NR
	1/2"	7/8"	0	0	25 / 1.00	50 / 0.99	75 / 0.98	100 / 0.97	100 / 0.96	100 / 0.95	97 / 0.94	95 / 0.94	92 / 0.93	89 / 0.92
	3/8"	1-1/8"	0	0	25 / 1.01	50 / 1.01	75 / 1.00	61 / 1.00	46 / 0.99	32 / 0.99	18 / 0.99	NR	NR	NR
	1/2"	1-1/8"	0	0	25 / 1.01	50 / 1.01	75 / 1.00	100 / 1.00	100 / 0.99	100 / 0.99	97 / 0.99	95 / 0.99	92 / 0.99	89 / 0.98

NOTES:

- Do not exceed 200 ft linear line length.
- * Do not exceed 100 ft vertical separation if outdoor unit is above indoor unit.
- ** 3/4" suction line should only be used for 1.5 ton systems if outdoor unit is below or at same level as indoor to assure proper oil return.
- Always use the smallest liquid line allowable to minimize refrigerant charge.
- Applications shaded in light gray indicate capacity multipliers between 0.90 and 0.96 which are not recommended, but are allowed.
- Applications shaded in dark gray are not recommended due to excessive liquid or suction pressure drop.



Heat Pump Refrigerant Line Size Information

14 SEER Single-Stage Heat Pumps															
Unit Size	Allowable Liquid Line Size mm [in.]	Allowable Vapor Line Size mm [in.]	Use Long Line Guidelines for Linear Line Lengths Greater Than Shown Below (Meters)	Outdoor Unit ABOVE or BELOW Indoor Unit											
				Equivalent Length (Meters)											
				< 8	8-15	16-23	24-30	31-38	39-46	47-53	54-61	62-69	70-76		
Maximum Vertical Separation / Capacity Multiplier															
DRHP14--A	DRHP14--B			8/1.00	15/0.99	19/0.98	13/0.98	7/0.97	2/0.97	NR	NR	NR	NR	NR	NR
5.3 KW [1.5 Ton] **SEE NOTE 3	6.35 [1/4]	15.88 [5/8]	n/a	8/1.00	15/0.99	19/0.98	13/0.98	7/0.97	2/0.97	NR	NR	NR	NR	NR	NR
	7.94 [5/16]	15.88 [5/8]	59	8/1.00	15/0.99	23/0.98	30/0.98	28/0.97	27/0.97	25/0.96	24/0.96	22/0.95	21/0.94	21/0.94	21/0.94
	9.53 [3/8]	15.88 [5/8]	40	8/1.00	15/0.99	23/0.98	30/0.98	30/0.97	30/0.97	30/0.96	30/0.96	30/0.95	30/0.94	30/0.94	30/0.94
	6.35 [1/4]	19.05 [3/4]**	n/a	8/1.00	15/1.00	19/0.99	13/0.99	7/0.99	2/0.99	NR	NR	NR	NR	NR	NR
	7.94 [5/16]	19.05 [3/4]**	59	8/1.00	15/1.00	23/0.99	30/0.99	28/0.99	27/0.99	25/0.99	24/0.98	22/0.98	21/0.98	21/0.98	21/0.98
	9.53 [3/8]	19.05 [3/4]**	40	8/1.00	15/1.00	23/0.99	30/0.99	30/0.99	30/0.99	30/0.99	30/0.99	30/0.98	30/0.98	30/0.98	30/0.98
7.0 KW [2 Ton]	6.35 [1/4]	15.88 [5/8]	n/a	8/0.99	15/0.98	6/0.97	NR	NR	NR	NR	NR	NR	NR	NR	NR
	7.94 [5/16]	15.88 [5/8]	59	8/0.99	15/0.98	23/0.97	27/0.96	23/0.95	21/0.94	19/0.93	16/0.92	14/0.91	11/0.90	11/0.90	11/0.90
	9.53 [3/8]	15.88 [5/8]	40	8/0.99	15/0.98	23/0.97	30/0.96	30/0.95	30/0.94	30/0.93	29/0.92	28/0.91	27/0.90	27/0.90	27/0.90
	6.35 [1/4]	19.05 [3/4]	n/a	8/1.00	15/1.00	6/0.99	NR	NR	NR	NR	NR	NR	NR	NR	NR
	7.94 [5/16]	19.05 [3/4]	59	8/1.00	15/1.00	23/0.99	27/0.99	23/0.98	21/0.98	19/0.98	16/0.97	14/0.97	11/0.96	11/0.96	11/0.96
	9.53 [3/8]	19.05 [3/4]	40	8/1.00	15/1.00	23/0.99	30/0.99	30/0.98	30/0.98	30/0.98	30/0.98	29/0.97	28/0.97	27/0.96	27/0.96
8.8 KW [2.5 Ton]	7.94 [5/16]	15.88 [5/8]	46	8/0.99	15/0.98	23/0.96	21/0.94	18/0.93	15/0.91	11/0.90	NR	NR	NR	NR	NR
	9.53 [3/8]	15.88 [5/8]	30	8/0.99	15/0.98	23/0.96	30/0.94	30/0.93	29/0.91	27/0.90	NR	NR	NR	NR	NR
	7.94 [5/16]	19.05 [3/4]	46	8/1.00	15/0.99	23/0.99	21/0.98	18/0.98	15/0.97	11/0.96	8/0.96	4/0.95	NR	NR	NR
	9.53 [3/8]	19.05 [3/4]	30	8/1.00	15/0.99	23/0.99	30/0.98	30/0.98	29/0.97	27/0.96	26/0.96	25/0.95	24/0.95	24/0.95	24/0.95
	7.94 [5/16]	15.88 [5/8]	n/a	8/0.99	15/0.97	20/0.94	15/0.92	10/0.90	NR	NR	NR	NR	NR	NR	NR
	9.53 [3/8]	15.88 [5/8]	28	8/0.99	15/0.97	23/0.94	29/0.92	27/0.90	NR	NR	NR	NR	NR	NR	NR
10.6 KW [3 Ton]	7.94 [5/16]	19.05 [3/4]	43	8/1.00	15/0.99	20/0.98	15/0.98	10/0.97	5/0.96	NR	NR	NR	NR	NR	NR
	9.53 [3/8]	19.05 [3/4]	28	8/1.00	15/0.99	23/0.98	29/0.98	27/0.97	26/0.96	24/0.95	22/0.94	20/0.93	19/0.93	19/0.93	19/0.93
	12.70 [1/2]	19.05 [3/4]	14	8/1.00	15/0.99	23/0.98	30/0.98	30/0.97	30/0.96	30/0.95	30/0.94	30/0.93	30/0.93	30/0.93	30/0.93
	7.94 [5/16]	22.23 [7/8]	43	8/1.00	15/1.00	20/1.00	15/0.99	10/0.99	5/0.99	NR	NR	NR	NR	NR	NR
	9.53 [3/8]	22.23 [7/8]	28	8/1.00	15/1.00	23/1.00	29/0.99	27/0.99	26/0.99	24/0.98	22/0.98	20/0.98	19/0.97	19/0.97	19/0.97
	12.70 [1/2]	22.23 [7/8]	14	8/1.00	15/1.00	23/1.00	30/0.99	30/0.99	30/0.99	30/0.98	30/0.98	30/0.98	30/0.97	30/0.97	30/0.97
12.3 KW [3.5 Ton]	9.53 [3/8]	19.05 [3/4]	28	8/0.99	15/0.98	23/0.97	27/0.96	24/0.95	22/0.94	20/0.92	17/0.91	15/0.90	NR	NR	NR
	12.70 [1/2]	19.05 [3/4]	14	8/0.99	15/0.98	23/0.97	30/0.96	30/0.95	30/0.94	30/0.92	30/0.91	30/0.90	NR	NR	NR
	9.53 [3/8]	22.23 [7/8]	28	8/1.00	15/1.00	23/0.99	27/0.99	24/0.99	22/0.98	20/0.97	17/0.97	15/0.96	13/0.96	13/0.96	13/0.96
	12.70 [1/2]	22.23 [7/8]	14	8/1.00	15/1.00	23/0.99	30/0.99	30/0.99	30/0.98	30/0.97	30/0.97	30/0.97	30/0.96	30/0.96	30/0.96
	9.53 [3/8]	19.05 [3/4]	28	8/0.99	15/0.98	23/0.97	27/0.96	24/0.95	22/0.94	20/0.92	17/0.91	15/0.90	NR	NR	NR
	12.70 [1/2]	22.23 [7/8]	14	8/1.00	15/1.00	23/0.99	30/0.99	30/0.99	30/0.98	30/0.97	30/0.97	30/0.97	30/0.97	30/0.96	30/0.96

NOTES:

- Do not exceed 61 meters linear line length.
- Do not exceed 30 meters vertical separation if outdoor unit is above indoor unit.
- **19.05 mm [3/4"] suction line should only be used for 1.5 ton systems if outdoor unit is below or at same level as indoor to assure proper oil return.
- Always use the smallest liquid line allowable to minimize refrigerant charge.
- Applications shaded in light gray indicate capacity multipliers between 0.90 and 0.96 which are not recommended, but are allowed.
- Applications shaded in dark gray are not recommended due to excessive liquid or suction pressure drop.

[] Designates Metric Conversions



Heat Pump Refrigerant Line Size Information

14 SEER Single-Stage Heat Pumps														
Unit Size	Allowable Liquid Line Size mm [in.]	Allowable Vapor Line Size mm [in.]	Use Long Line Guidelines for Linear Line Lengths Greater Than Shown Below (Meters)		Outdoor Unit ABOVE or BELOW Indoor Unit									
			DRHP14--A	DRHP14--B	Equivalent Length (Meters)									
					Maximum Vertical Separation / Capacity Multiplier									
					< 8	8-15	16-23	24-30	31-38	39-46	47-53	54-61	62-69	70-76
14.1 KW [4 Ton]	9.53 [3/8]	19.05 [3/4]	25	n/a	8 / 0.99	15 / 0.98	23 / 0.96	24 / 0.96	20 / 0.93	17 / 0.92	14 / 0.91	NR	NR	NR
	12.70 [1/2]	19.05 [3/4]	12	n/a	8 / 0.99	15 / 0.98	23 / 0.96	30 / 0.95	30 / 0.93	30 / 0.92	30 / 0.91	NR	NR	NR
	9.53 [3/8]	22.23 [7/8]	25	n/a	8 / 1.00	15 / 0.99	23 / 0.99	24 / 0.98	20 / 0.97	17 / 0.97	14 / 0.96	11 / 0.96	8 / 0.95	5 / 0.95
	12.70 [1/2]	22.23 [7/8]	12	n/a	8 / 1.00	15 / 0.99	23 / 0.99	30 / 0.98	30 / 0.97	30 / 0.97	30 / 0.96	30 / 0.96	30 / 0.95	30 / 0.95
17.6 KW [5 Ton]	9.53 [3/8]	19.05 [3/4]	0	0	8 / 0.99	15 / 0.97	23 / 0.94	19 / 0.92	14 / 0.90	NR	NR	NR	NR	NR
	12.70 [1/2]	19.05 [3/4]	0	0	8 / 0.99	15 / 0.97	23 / 0.94	30 / 0.92	30 / 0.90	NR	NR	NR	NR	NR
	9.53 [3/8]	22.23 [7/8]	0	0	8 / 1.00	15 / 0.99	23 / 0.98	19 / 0.97	14 / 0.96	10 / 0.95	5 / 0.94	NR	NR	NR
	12.70 [1/2]	22.23 [7/8]	0	0	8 / 1.00	15 / 0.99	23 / 0.98	30 / 0.97	30 / 0.96	30 / 0.95	30 / 0.94	29 / 0.94	28 / 0.93	27 / 0.92
	9.53 [3/8]	28.58 [1-1/8]	0	0	8 / 1.01	15 / 1.01	23 / 1.00	19 / 1.00	14 / 0.99	10 / 0.99	5 / 0.99	NR	NR	NR
	12.70 [1/2]	28.58 [1-1/8]	0	0	8 / 1.01	15 / 1.01	23 / 1.00	30 / 1.00	30 / 0.99	30 / 0.99	30 / 0.99	29 / 0.99	28 / 0.99	27 / 0.98

NOTES:

- Do not exceed 61 meters linear line length.
- Do not exceed 30 meters vertical separation if outdoor unit is above indoor unit.
- **19.05 mm [3/4"] suction line should only be used for 1.5 ton systems if outdoor unit is below or at same level as indoor to assure proper oil return.
- Always use the smallest liquid line allowable to minimize refrigerant charge.
- Applications shaded in light gray indicate capacity multipliers between 0.90 and 0.96 which are not recommended, but are allowed.
- Applications shaded in dark gray are not recommended due to excessive liquid or suction pressure drop.

[] Designates Metric Conversions



Performance Data @ AHRI Standard Conditions – Heat Pump

Designated Tested Combination (DTC)												
Outdoor Unit	Air Handler	Total Capacity BTU/H [kW]	Net Sensible BTU/H [kW]	Net Latent BTU/H [kW]	SEER	EER	Indoor CFM [L/s]	47 Degree Heating Capacity BTU/H [kW]	47 Degree COP	17 Degree Heating Capacity BTU/H [kW]	17 Degree COP	Region IV HSPF
DRHP14A18AJ1	DRAH1TA2417AST	18000 [5.3]	13500 [4.0]	4500 [1.3]	14.0	11.5	575 [271.4]	16600 [4.9]	3.66	10500 [3.1]	2.40	8.5
DRHP14A18BJ1	DRAH1TA2417AST	18000 [5.3]	14300 [4.2]	3700 [1.1]	14.0	11.5	700 [330.3]	17100 [5.1]	3.65	10400 [3.1]	2.35	8.2
DRHP14A24AJ1	DRAH1TA2417AST	23800 [7.0]	18300 [5.4]	5500 [1.6]	14.0	11.5	800 [377.6]	22000 [6.4]	3.66	13900 [4.1]	2.46	8.5
DRHP14A30AJ1	DRAH1TA3617AST	29000 [8.5]	22000 [6.4]	7000 [2.1]	14.0	11.5	1025 [483.7]	26000 [7.6]	3.46	15200 [4.5]	2.20	8.5
DRHP14A36AJ1	DRAH1TA3617AST	35400 [10.4]	26800 [7.9]	8600 [2.5]	14.0	11.5	1200 [566.3]	34200 [10.0]	3.40	21400 [6.3]	2.26	8.5
DRHP14A42AJ1	DRAH1TA4821AST	40500 [11.9]	30000 [8.8]	10500 [3.1]	14.0	11.5	1400 [660.7]	40500 [11.9]	3.76	25800 [7.6]	2.66	8.5
DRHP14A48AJ1	DRAH1TA4821AST	47000 [13.8]	36400 [10.7]	11600 [3.4]	14.0	11.5	1600 [755.1]	47000 [13.8]	3.60	29600 [8.7]	2.50	8.2
DRHP14A60BJ1	DRAH1TA6024AST	56000 [16.41]	41600 [12.19]	14400 [4.22]	14.0	11.0	1825 [861.3]	58000 [17.0]	3.75	36800 [10.8]	2.60	8.2

Note: Additional ratings and system match ups and downloadable ratings certificates can be accessed from the AHRI website: www.ahridirectory.org

[] Designates Metric Conversions



GENERAL TERMS OF LIMITED WARRANTY*

Durastar will furnish a replacement for any part of this product which fails in normal use and service within the applicable period stated, in accordance with the terms of the limited warranty.

Parts.....Five (5) Years

***For complete details of the Limited and Conditional Warranties, including applicable terms and conditions, contact your local contractor or the Manufacturer for a copy of the product warranty certificate.**



Before proceeding with installation, refer to installation instructions packaged with each model, as well as complying with all Federal, State, Provincial, and Local codes, regulations, and practices.



"In keeping with its policy of continuous progress and product improvement, Durastar reserves the right to make changes without notice."