

# PF1119

## Two-handle wall mount service sink faucet



### Product Features

- Vacuum breaker - Backflow Prevention
- Ceramic disc cartridges
- Integral stops
- 3/4" hose thread on spout
- Meets with ASME: A112.18.1
- ASSE1001 certified
- cUPC/IAPMO listed
- Solid brass waterways
- Chrome plated

### Available Parts

- PF6553889 Vacuum Breaker Cover Kit & Assembly
- PF655390 Integral Stop Assembly
- PF655385 Ceramic Cartridge Assembly
- PF6553834 Lever Handle Kit (Hot and Cold)

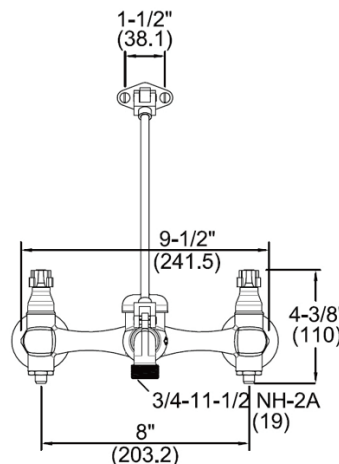
### Optional Accessories

- Works with Speakman SEF-9200 Eyewash hose attachment

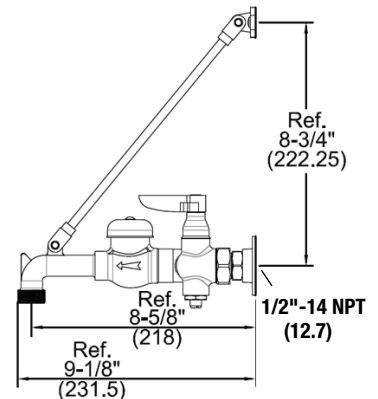


PF1119

Flow Rates	
Pressure (PSI)	GPM
20	5
30	6
40	7
50	8
60	9
70	10
80	10.5



### Product Specifications



### Warranty and Codes

This product comes complete with installation, operating, care and maintenance instructions. This PROFLO faucet carries a limited lifetime warranty when installed in residential applications. The warranty is five years in commercial applications. This product meets ASME: A112.18.1-2011

