



# PF92941 Pre-Assembled Primary / Backup Sump Pump Kit

## Primary Pump Product Features

- Rugged cast iron pump body for durability
- SJE Rhombus vertical float switch
- 1-1/2" NPT Discharge
- Handles up to 3/8" solids
- Stainless steel impeller
- Carrying handle attached
- 10' power supply cord
- Built-in thermal overload protection for safety
- Permanent split capacitor continuous duty motor
- 4.1 amps, 492 Watts
- 3450 RPM

## Backup Pump Features

- 12 Volt DC pump
- SJE Rhombus vertical float switch
- Maximum flow rate 23 gpm.
- 1-1/2" NPT discharge size.
- Handles 1/8" solids.
- Clog resistant impeller

## Kit Features

- Electric control panel with indicator lights
- Thermoplastic battery box
- 87 decibel alarm with mute
- Reverse polarity protection
- Low battery alarm
- AC charger
- Two full flow check valves
- Pre-assembled with PVC pipe and fittings

## Primary Motor Performance

- .3 HP 120 Volt AC (4.1 amps)

Performance Chart						
Lift	0'	5'	10'	15'	20'	25'
GPM	46	36	30	25	12	1
GPH	2760	2160	1800	1500	720	60

## Backup Motor Performance

- 12 Volt DC

Performance Chart					
Lift	0'	5'	10'	15'	20'
GPM	23	22	18	13	8
GPH	1380	1320	1080	780	480

## Warranty and Codes

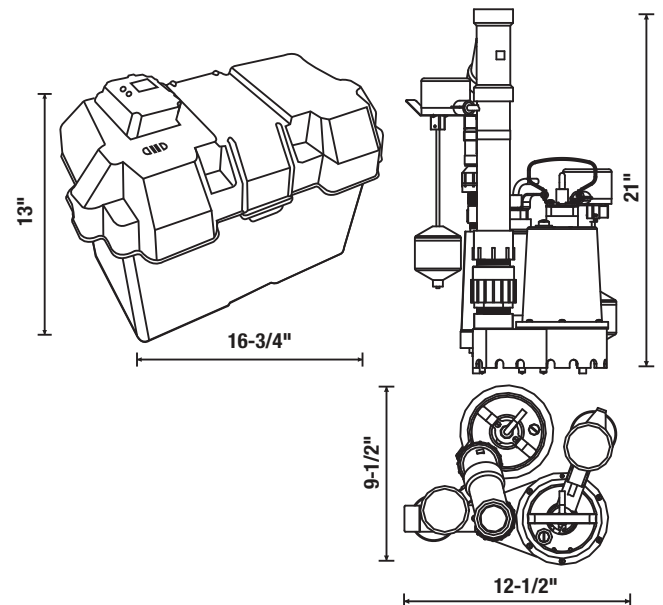
This product comes complete with installation, operating, care and maintenance instructions. This PROFLO sump pump carries a 3 year warranty when installed in residential applications. See owners manual for warranty details.

This PROFLO sump pump carries a 3 year limited warranty. In an effort to continually improve our products, we will make design changes from time to time. We reserve the right to ship newly designed product to fill any order unless it is agreed in writing to do otherwise.



PF92941

## Product Specifications



\* All measurements are nominal. Please verify before actual installation.