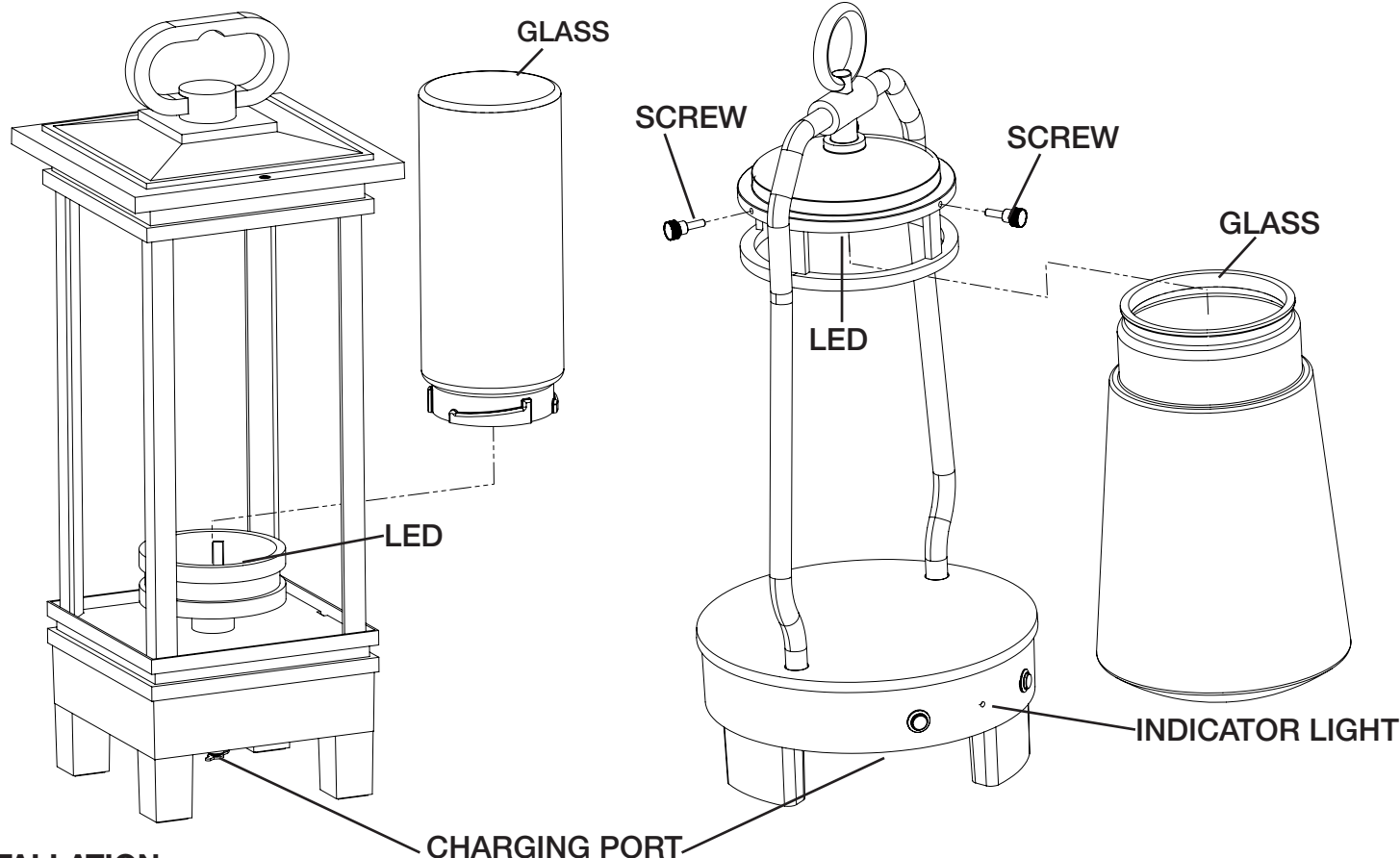


SOUTH HOPE #49473

LYNDON #49500



INSTALLATION

1. Installing the glass

a. To install glass for the Lyndon Lantern Item #49500:

- Hold the glass so the opening is facing up.
- Place the glass over the LED.
- Use the three screws to hold the glass in place. Do NOT over tighten the screws.

b. To install glass for the South Hope Lantern Item#49473:

- Hold the glass so the opening is facing down.
- Place the glass over the LED.
- Gently rotate the glass clockwise until it will not move anymore. Carefully pull up on the glass to ensure it has properly engaged with the lantern.


2. Charging the lantern

For best results, completely charge the lantern prior to use.

- To charge the lantern, plug the charger into the wall.
- Attach the other end of the charger into the dedicated port on the bottom of the lantern.
- A red indicator light will illuminate to illustrate the lantern is charging. Once the battery is completely charged, this light will become green.

NOTE: The lantern can still operate as a light and/or speaker while it is being charged.

3. Turning the light ON/OFF

- Tap the power button  to turn the light on. The light will come on and the switch itself will also illuminate green
- Tap the power button again to turn the light off. The light will turn off and the green switch will no longer be illuminated.

4. Dimming the lantern

- The lantern defaults to 50% light output when first turned on.
- To adjust the light output, press and hold the power button. This will begin to dim the light to its lowest position. Release the button when the desired light output is reached; otherwise the lantern will continue to its lowest light output.
- After the lantern has reached its lowest light output, release then hold the power button again to increase light output.
- Continue to hold the power button to get to the highest output level or release the button when the desired light output is reached.

5. Pairing and connecting a BLUETOOTH phone/tablet

- Press and hold the Bluetooth button until a tone is heard. The button will flash blue signaling it is ready to pair.
- Turn on the Bluetooth function on your phone/tablet.
- Using the Bluetooth settings of your phone/tablet, select "Kichler" from the list of available connections.
- The Bluetooth indicator light on the lantern will change to solid blue when the connection is successful and another tone will sound.
- To play music on your lantern, ensure volume on your phone/tablet is NOT set to mute.
- To adjust the listening volume, use the volume controls on your phone/tablet.

6. Listening to music

- After you phone/tablet has paired with the lantern, it will connect automatically. If the lantern does not connect automatically, repeat the pairing process to register your phone/tablet.
- The audio source (phone/tablet) will control the volume, pause, play, and advance tracks.

NOTE: If sound is NOT inaudible, ensure your phone/tablet is not muted and make sure the volume is at an appropriate level.

7. Turning off the lantern's Bluetooth audio

- To turn off the lantern's Bluetooth audio function, hold the Bluetooth button  until a tone is heard and the blue light on the Bluetooth button is no longer lit.

8. How to switch audio source (changing between a different phone/tablet)

- Repeat pairing instructions (see section titled Pairing and connecting a BLUETOOTH phone/tablet) on second phone/tablet.
- If primary phone/tablet is already connected, press and hold Bluetooth button until blue light flashes. Ensure, primary phone/tablet is disconnected.
- Select lantern (titled Kichler) on second phone/tablet.

PORTABLE LANTERN FCC WARNING

NOTE:

Any Changes or modifications not expressly approved by the party responsible for compliance could void the user's authority to operate the equipment.

This device complies with part 15 of the FCC Rules. Operation is subject to the following two conditions: (1) This device may not cause harmful interference, and (2) this device must accept any interference received, including interference that may cause undesired operation.

Note: This equipment has been tested and found to comply with the limits for a Class B digital device, pursuant to part 15 of the FCC Rules. These limits are designed to provide reasonable protection against harmful interference in a residential installation. This equipment generates, uses and can radiate radio frequency energy and, if not installed and used in accordance with the instructions, may cause harmful interference to radio communications. However, there is no guarantee that interference will not occur in a particular installation. If this equipment does cause harmful interference to radio or television reception, which can be determined by turning the equipment off and on, the user is encouraged to try to correct the interference by one or more of the following measures:

- Reorient or relocate the receiving antenna.
- Increase the separation between the equipment and receiver.
- Connect the equipment into an outlet on a circuit different from that to which the receiver is connected.
- Consult the dealer or an experienced radio/TV technician for help.

FCC Radiation Exposure Statement:

This equipment complies with FCC radiation exposure limits set forth for an uncontrolled environment. This transmitter must not be co-located or operating in conjunction with any other antenna or transmitter.

LINTERNA PORTÁTIL ADVERTENCIA DE LA FCC

NOTA:

Cualquier cambio o modificación no aprobada expresamente por la parte responsable por el cumplimiento podría anular la autoridad del usuario para operar el equipo.

Nota: Este artefacto cumple con la parte 15 de las Normas de la FCC. El funcionamiento está sujeto a las siguientes dos condiciones:

(1) Este artefacto no puede causar interferencia perjudicial, y (2) este artefacto debe aceptar cualquier interferencia recibida, inclusive interferencia que puede causar una operación no deseada.

Nota: Este equipo ha sido probado y se comprobó que cumple con los límites para un artefacto digital Clase B, de conformidad con la parte 15 de las Normas de la FCC. Estos límites están diseñados para proporcionar una protección razonable contra interferencia perjudicial en una instalación residencial. Este equipo genera, usa y puede radiar energía de radio frecuencia y, si no se instala y usa de acuerdo con las instrucciones, puede causar interferencia perjudicial a las comunicaciones de radio. Sin embargo, no hay garantía de que la interferencia no ocurrirá en una instalación en particular. Si este equipo sí causa interferencia perjudicial a la recepción de radio o televisión, que puede ser determinado encendiendo y apagando el equipo, se aconseja al usuario que trate de corregir la interferencia con una o más de las siguientes medidas:

- Reoriente o cambie de lugar la antena de recepción.
- Aumente la separación entre el equipo y el receptor.
- Conecte el equipo en un receptáculo en un circuito diferente de donde está conectado el receptor.
- Consulte al concesionario o a un técnico experimentado de radio/TV para que le ayude.

Declaración sobre exposición a radiación de la FCC:

Este equipo cumple con los límites de exposición a la radiación establecidos para un ambiente no controlado. Este transmisor no debe ser emplazado u operar en conjunción con cualquier otra antena o transmisor.