

Features

- Pressure-balance diaphragm technology provides reliable anti scald protection and maintains mixed water temperature within +/- 3 degrees Fahrenheit.
- Maximum flow rate of 13.0 gpm at 45psi - ideal for multiple outlet shower installations or rapid bath filling.
- 3/4-inch NPT connections.
- Integral shut-off valve stops.
- Adjustable high-temperature limit stop to control maximum water temperature.
- Deep rough-in kits are available – refer to individual trim design.
- Requires valve trim (sold separately).

Material

- Forged brass construction.

Installation

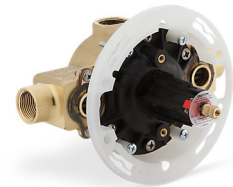
- Cartridge is reversible for installations where hot and cold supplies are reversed.
- Requires K-9663 twin ell (sold separately) when using a diverter spout.

Required Products/Accessories

K-9663

Recommended Products/Accessories

88526 Thin Wall Trim Kit



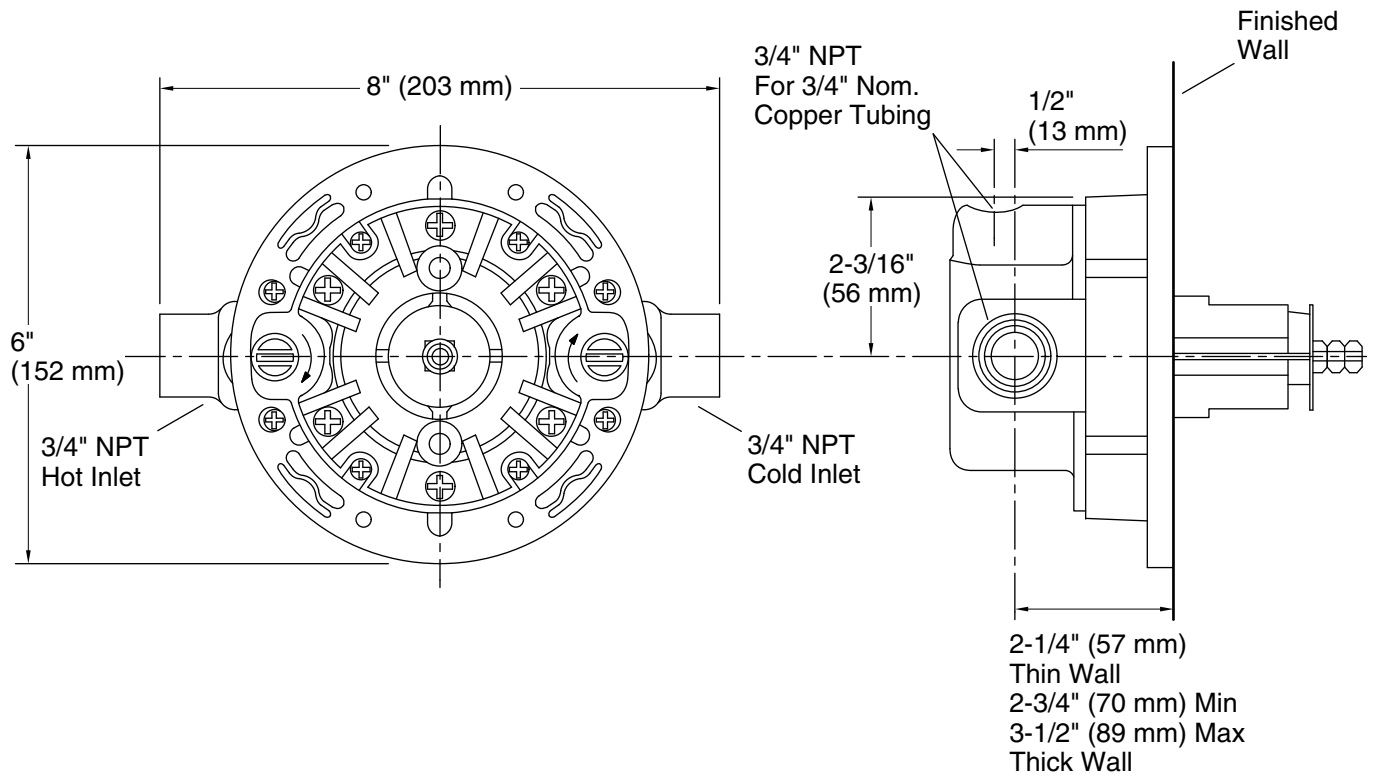
Codes/Standards

ASME A112.18.1/CSA B125.1

ASSE 1016/ASME A112.1016/CSA B125.16

KOHLER® Faucet Lifetime Limited Warranty

See website for detailed warranty information.



Technical Information

All product dimensions are nominal.

Shower Valve:

Pressure - Max: 45 psi (3.1 bar)
 Min. pressure IN: 15 psi (1 bar)

Notes

Install this product according to the installation guide.

CAUTION: Risk of product damage. When using this valve in a fiberglass or acrylic installation, use the thin wall installation kit 88526 (sold separately).

For installations with a diverter spout, a twin ell, K-9663 (sold separately), is required between the valve and the spout.

Avoid cross-flow conditions. Do not install shut-off device on either valve outlet.