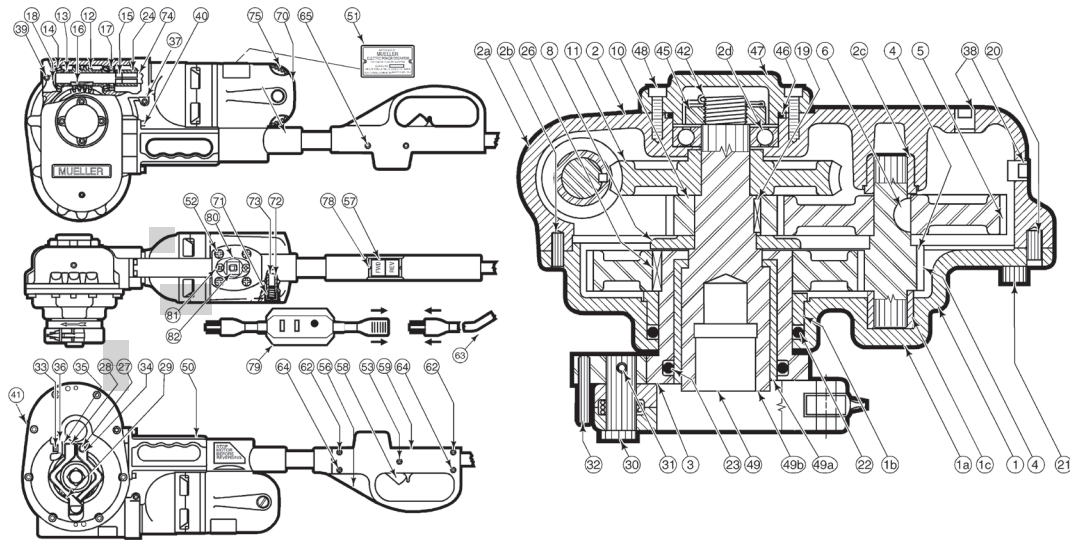


Rev. 8-13 Shaded area indicates changes



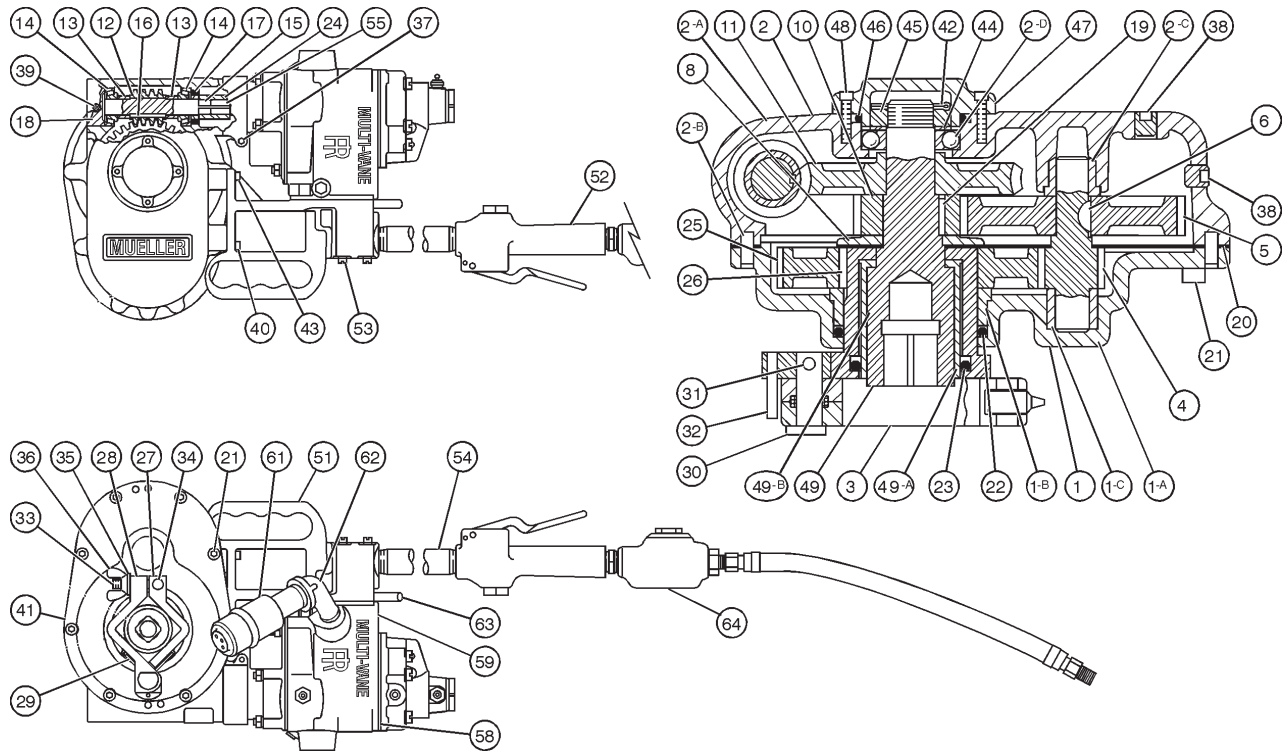
NOTE: These illustrations are for parts identification only. DO NOT use these illustrations for assembly or disassembly of machine. MUELLER CO. offers a machine repair service. Contact MUELLER® Customer Service Center for details.

TO ORDER SPECIFY, QUANTITY, PART NUMBER AND PART NAME (include catalog number and model number of power operator)

Item No.	Part Number	Part Name	Item No.	Part Number	Part Name	Item No.	Part Number	Part Name
1	83990	Cover complete	26	305539	Key	56*	508583	Handle assmebly
1a	501383	Cover	27	501407	Drive arm-left	57	508548	Reversing switch
1b	501385	Feed yoke drive shaft bearing	28	501408	Drive arm-right	58*	505070	Trigger switch
1c	501384	Gear and shaft bearing	29	501393	Spring	59	508584	Handle cover
2	83989	Body complete	30	501400	Hinge shaft	60*	505071	Pawl-interlocking
2a	501383	Body	31	501144	Hinge shaft pin	61*	505068	Ring-clinch
2b	501986	Alignment pins (2)	32	500702	Stop pin	62	505066	Fillister head screw (2)
2c	501381	Gear and shaft bearing	33	501415	Eyebolt	63*	502568	Cord set
2d	501382	Thrust bearing	34	501412	Eyebolt shaft	64*	505066	Fillister head screw (2)
3	83987	Feed yoke drive shaft complete	35	501394	Washer	65	508550	Reversing switch mounting screw (2)
4	40850	Shaft and gear	36	94341	Wing nut	66*	505064	Self tapping pan head screw (2)
5	40852	Large shaft gear	37	92741	Motor clamp	67*	505024	Fillister head screw-phillips
6	98223	Key	38	41435	Oil level plug	68	508549	Reversing switch bracket
8	501402	Washer	39	97763	Socket head set screw	69	508581	Reversing switch washer
10	40851	Main shaft gear	40*	305103	Motor holding cap screws (4)	70	502570	Motor assmebly
11	505373	Worm wheel	41	508585	Name plate	71	505006	Cap-brush holder
12	501403	Worm	42	90377	Cotter pin	72	505080	Brush holder
13	501395	Spacer (2)	44	501401	Flat washer	73	505005	Brush-motor
14	501406	Thrust bearing (2)	45	501397	Drive shaft nut	74	508586	Spindle-tool
15	501404	Worm shaft	46	45374	O-ring	75	505296	Inspection hole cap
16	305537	Worm shaft key	47	501396	Cover cap	76*	52661	Round head drive screw (2)
17	501416	Worm shaft oil seal	48	301149	Cover cap screws (4)	77	52661	Round head drive screw (2)
18	501398	Thrust plug cap	49	89784	Drive shaft complete	78	508569	Reversing switch mounting screw
19	305535	Square key	49a	501387	Drive shaft bearing	79	311834	Ground fault interuptor
20	501391	Rim gasket	49b	505372	Drive shaft	80	538128	Circuit breaker housing
21	305105	Rim cap screws (8)	50*	505375	Motor mount and handle tube	81	313032	Pan head screws (2)
22	40855	Feed yoke drive shaft seal	51	505376	Name plate	82	313033	Circuit breaker
23	302846	Drive shaft seal	52*	305852	Flat head screw-phillips (4)		311793	Wooden crate
24	501989	Coupler	53	505067	Flat head screw (2)	*	581262	Indicates all parts furnished with handle
25	40849	Feed tube gear	55	508582	Reversing switch lock nut	-	-	-

H-604 AIR POWER OPERATOR REPAIR PARTS (MODEL #4)

Shaded area indicates change Rev. 8-04



NOTE: These illustrations are for parts identification only. DO NOT use these illustrations for assembly or disassembly of machine. MUELLER CO. offers a machine repair service. Contact MUELLER® Customer Service Center for details.

TO ORDER SPECIFY QUANTITY, PART NUMBER AND PART NAME (include catalog number and model number of power operator).

Item No.	Part Number	Part Name	Item No.	Part Number	Part Name	Item No.	Part Number	Part Name
1	83990	Cover sub-assembly	20	501391	Body gasket	44	501401	Flat washer
1a	501383	Cover	21	305105	Cap screws - socket head (8)	45	501397	Drive shaft nut
1b	501385	Drive shaft feed yoke bearing	22	40855	Feed yoke drive shaft seal	46	45374	O-ring
1c	501384	Pinion shaft cover bearing	23	302846	Drive shaft seal	47	501396	Cover cap
2	83989	Body sub-assembly	24	501989	Coupler	48	301149	Cover cap screws - socket hd. (4)
2a	501380	Body	25	40849	Feed tube gear	49	89784	Drive shaft sub
2b	501986	Alignment pins (2)	26	305539	Key	49a	501387	Drive shaft bearing
2c	501381	Pinion shaft body bearing	27	501407	Drive arm - left	49b	505372	Drive shaft
2d	501382	Drive shaft bearing	28	501408	Drive arm - right	50	502571	See NOTE 1
3	83987	Drive shaft feed yoke assembly	29	501393	Spring - drive arm	51	502572	Ing-R adapter handle
4	40850	Pinion gear and shaft	30	501400	Hinge shaft	52	502573	Ing-R throttle valve body
5	40852	Large shaft gear	31	501144	Hinge shaft pin (roll pin)	53	505081	Motor manufacturing screws (4)
6	98223	Woodruff key	32	500702	Stop pin (roll pin)	54	505294	Throttle connector
8	501402	Washer	33	501415	Eye bolt	55	501261	Spindle
10	40851	Boring bar gear	34	501412	Eye bolt shaft (roll pin)	56	505383	Vanes (5) (not shown)
11*	505373	Worm wheel	35	501394	Washer - wing nut	57	505384	Cylinder (not shown)
12	501403	Worm	36	94341	Wing nut	58	506723	Back head gasket
13	501395	Spacers (2)	37	92741	Motor clamp socket cap screw	59	507196	Motor housing
14	501406	Worm shaft bearings (2)	38	41435	Oil lever plugs - allen (2)	61	311322	Muffler
15	501404	Worm shaft	30	97763	Plug-lock allen set screw	62	311321	Street elbow
16	305537	Worm shaft key	40	307609	Motor holding cap screws (4)	63	VSM-620	Air motor reversing lever
17	501416	Worm shaft oil seal	41	505457	Name plate	64	311816	Constant feed oiler assembly
18	501398	Thrust plug	42	90377	Cotter pin	-	-	-
19	305535	Square key	43	301150	Motor handle cap screws (2)	-	-	-

NOTE: 1 INGERSOLL-RAND 22-K Special Air Motor.