



# SERVICE PARTS LIST

**BULLETIN NO.**  
**54-05-0091**

<b>SPECIFY CATALOG NO. AND SERIAL NO. WHEN ORDERING PARTS</b>		REVISED BULLETIN 54-05-0090	DATE Sep. 2017
<b>CORDLESS 18 VOLT VACUUM CLEANER</b>			
<b>CATALOG NO.</b>	<b>0880-20</b>	<b>STARTING SERIAL NO.</b>	<b>B34B</b>
		<b>WIRING INSTRUCTION</b> <b>58-01-1195</b>	

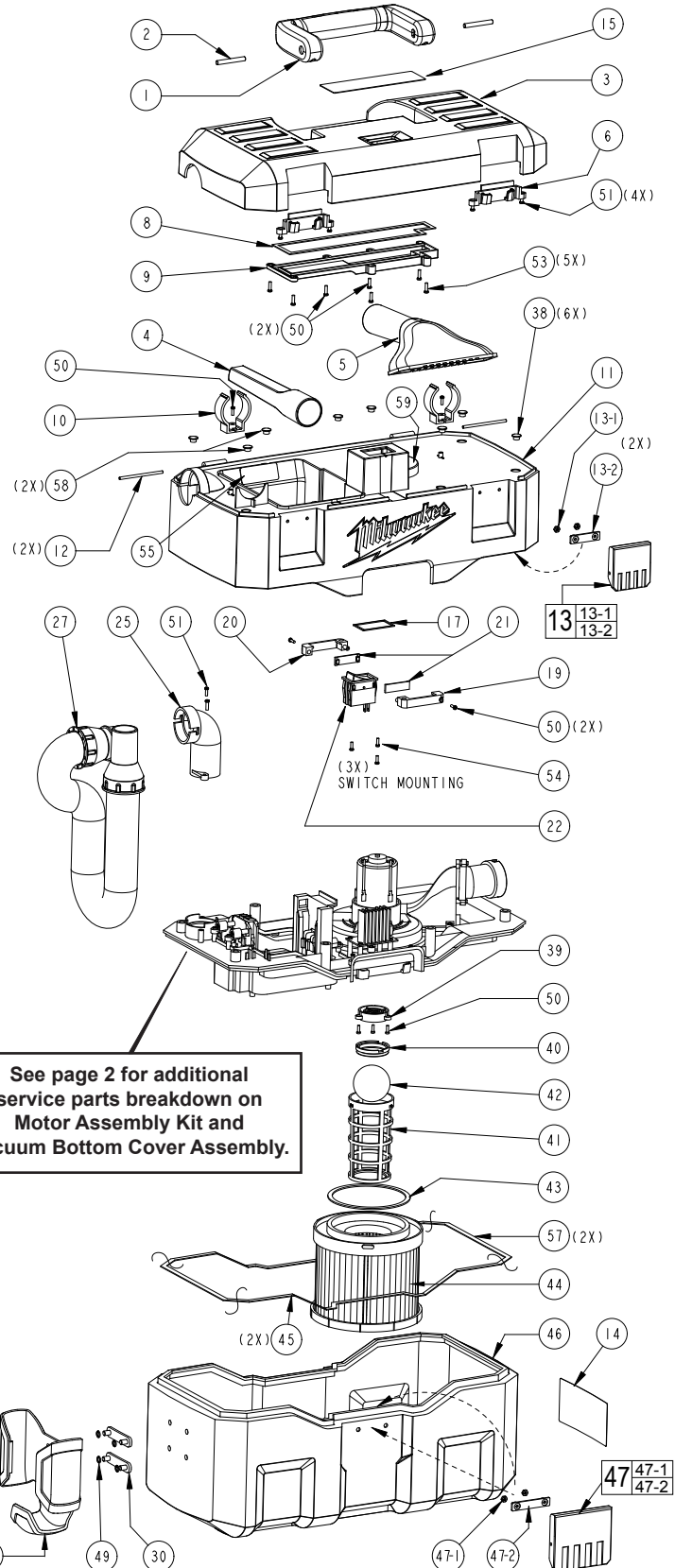
**EXAMPLE:**  
Component Parts (Small #) Are Included  
When Ordering The Assembly (Large #).

**NOTE:**  
Model 0880-20 serial break "B" has two designs. If the hose is stowed on the outside of the product, refer to pages 1-2. If the hose can be stowed inside the product, refer to page 3.

**NOTE:**  
Filters are meant for dry applications only. Before cleaning the filter, check the safety icon to determine if your filter can be cleaned with water or not.

★ = Part number change from previous service parts list.

FIG.	PART NO.	DESCRIPTION OF PART	NO. REQ.
	1	14-34-0020 Handle Set	(1)
	2	06-65-1260 Handle Pin	(2)
★	3	31-15-0671 Top Cover	(1)
	4	31-01-2100 Straight Nozzle	(1)
	5	31-01-2110 Wide Nozzle	(1)
	6	42-36-2180 Latch Bracket	(2)
	8	43-44-1275 Handle Cover Gasket	(1)
★	9	42-92-1546 Handle Cover	(1)
	10	42-70-0170 Nozzle Clip	(2)
	11	31-01-2115 Vacuum Top Housing	(1)
	12	44-50-0210 Hinge Pin	(2)
	13	14-46-0010 Top Latch Kit	(2)
	13-1	----- M3 Nut	(4)
	13-2	----- Latch Bracket	(2)
	14	10-15-1605 Warning Label	(1)
	15	12-20-2000 Service Nameplate	(1)
	17	43-44-1280 Switch Gasket	(1)
	19	44-86-0385 Switch Retainer	(1)
	20	44-86-0390 Switch Retainer	(1)
	21	44-52-0875 Switch Pad	(1)
	22	23-66-2790 Switch	(1)
	25	42-90-0375 Crooked Pipe	(1)
	27	14-37-0160 Hose Assembly	(1)
	28	42-92-1540 Hose Wrap Cover	(1)
	29	43-72-0630 Hose Wrap	(1)
	30	31-10-0160 Mounting Bracket	(2)
	38	31-53-0250 Plug	(8)
	39	31-01-2125 Filter Seesaw	(1)
	40	45-06-0860 Filter Seal	(1)
	41	42-46-0260 Filter Core	(1)
	42	42-46-0265 Filter Ball	(1)
	43	43-44-1295 Filter Gasket	(1)
	44	49-90-1900 Filter Assembly	(1)
	45	43-44-1270 Bottom Gasket	(2)
	46	31-01-2130 Vacuum Bottom	(1)
	47	14-46-0013 Bottom Latch Kit	(2)
	47-1	----- M3 Nut	(4)
	47-2	----- Latch Bracket	(2)
	49	06-97-0455 Sealing Washer	(4)
	50	05-78-0820 2.6 x 8 Screw	(9)
	51	05-81-0555 3 x 10 Screw	(6)
	53	05-78-0830 2.6 x 10 Screw	(5)
	54	----- 2.6 x 8 Washer Head Screw	(3)
	55	10-15-1616 Battery Label	(1)
	56	05-78-0835 3.5 x 10 Screw	(4)
	57	43-44-1271 Gasket	(2)
	58	31-53-0255 Plug A	(2)
	59	10-15-1618 Logo Label	(1)



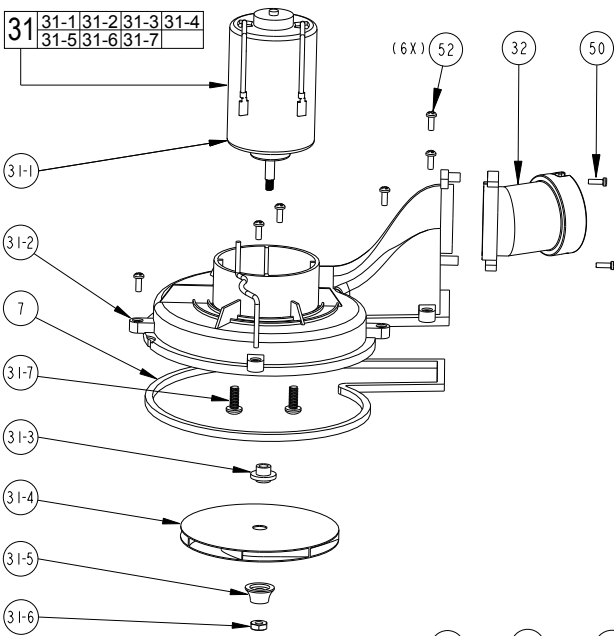


FIG.	PART NO.	DESCRIPTION OF PART	NO. REQ.
7	43-44-1300	Fan Gasket	(1)
31	23-30-0545	Motor Assembly Kit	(1)
31-1	-----	18 V Motor	(1)
31-2	-----	Motor Housing	(1)
31-3	-----	Motor Hub Top	(1)
31-4	-----	Fan Wheel	(1)
31-5	-----	Motor Bottom Mat	(1)
31-6	-----	Motor Nut	(1)
31-7	-----	M5 x 12 Screw	(2)
32	45-76-0620	Connector Pipe Tube	(1)
50	05-78-0820	2.6 x 8 Screw	(2)
52	05-78-0825	3 x 8 Screw	(6)

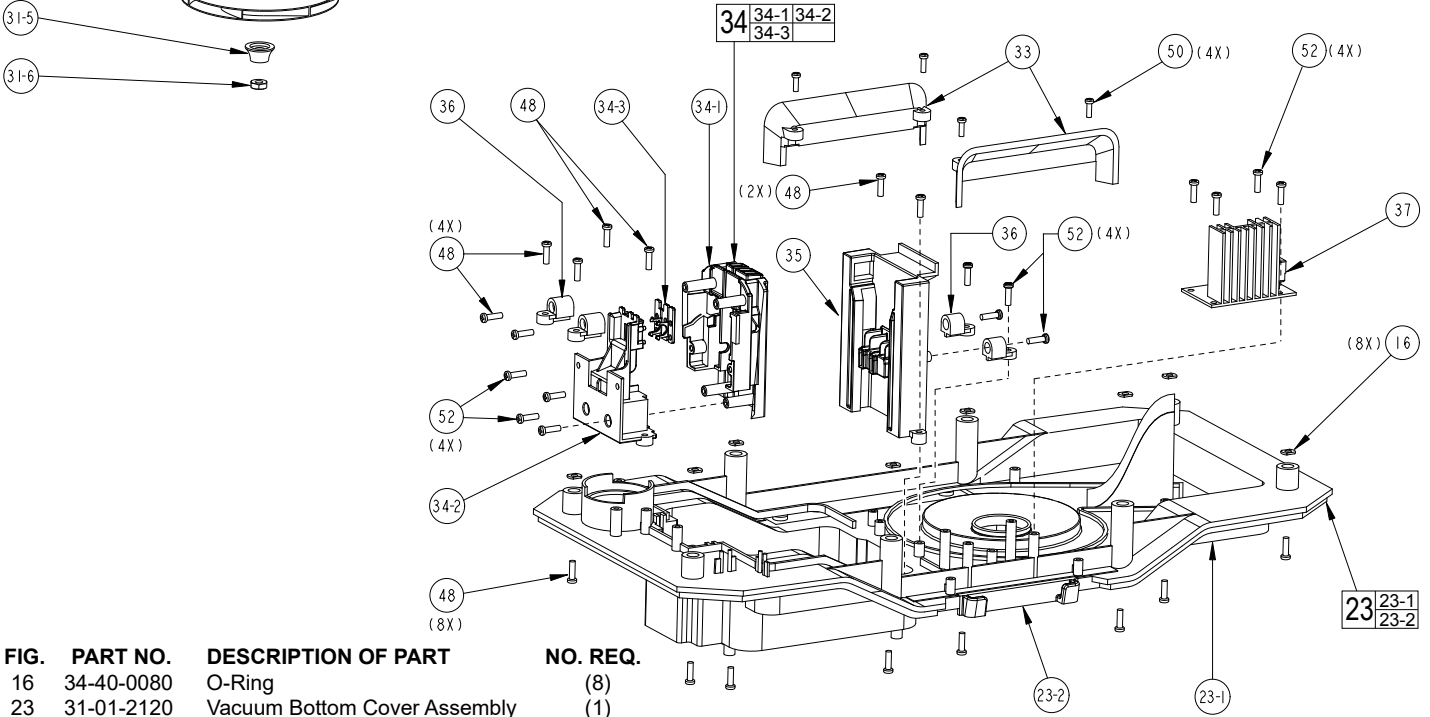
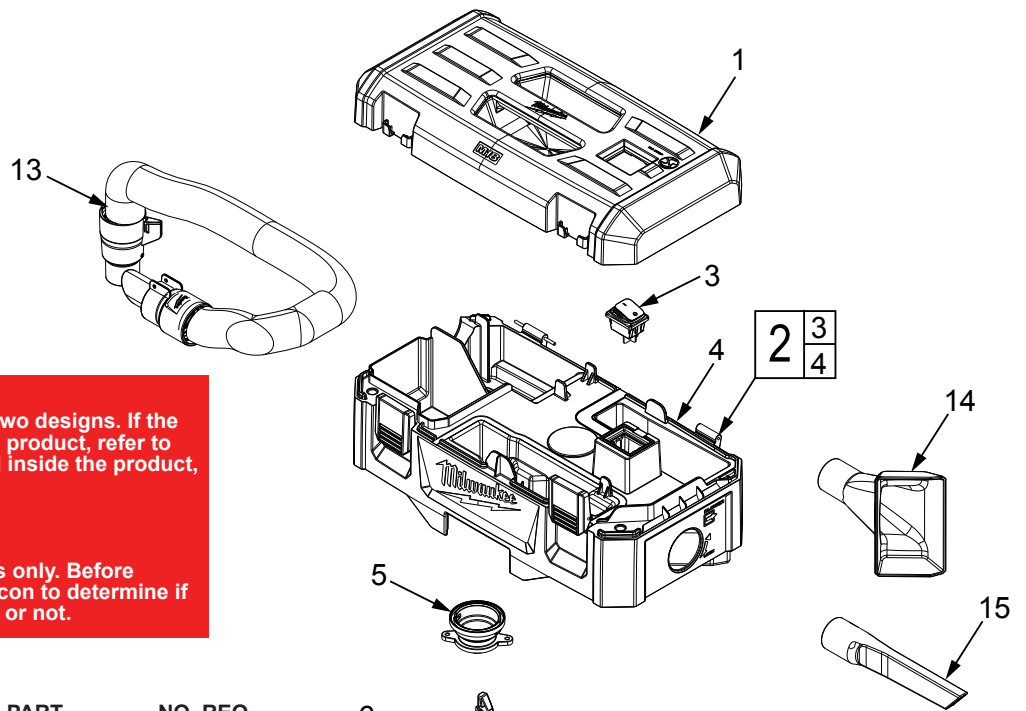


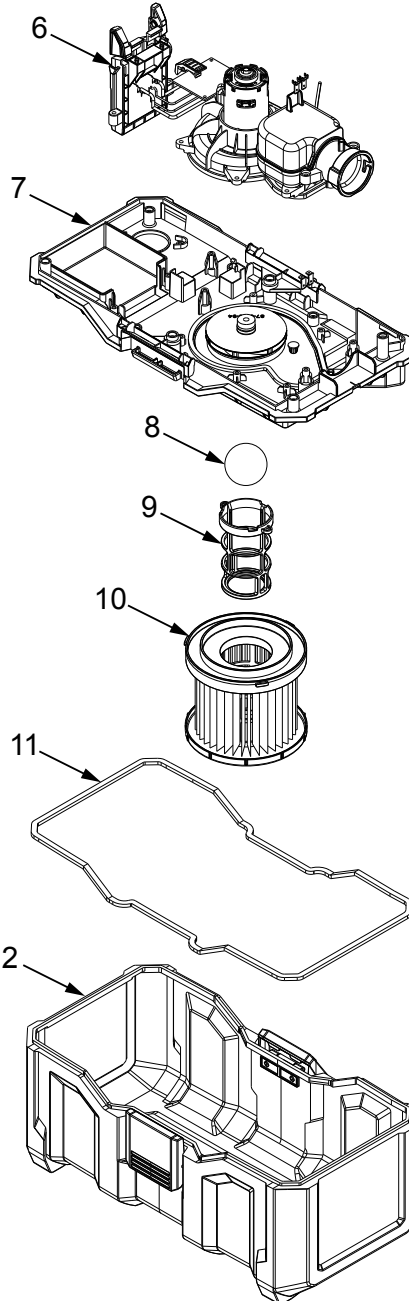
FIG.	PART NO.	DESCRIPTION OF PART	NO. REQ.
16	34-40-0080	O-Ring	(8)
23	31-01-2120	Vacuum Bottom Cover Assembly	(1)
23-1	-----	Vacuum Bottom Cover	(1)
23-2	-----	Hook Latch	(2)
33	31-76-0050	Latch Shroud	(2)
34	14-20-3185	Terminal Block Assembly w/o wires	(1)
34-1	-----	V18 Connector Block	(1)
34-2	-----	V18 Support Terminal	(1)
34-3	-----	Terminal Clip	(1)
35	14-20-3190	Terminal Block Assembly w/o wires	(1)
36	42-36-2185	Mounting Bracket	(4)
37	22-09-1710	PCB Board Assembly	(1)
48	05-81-0560	3 x 12 Screw	(16)
50	05-78-0820	2.6 x 8 Screw	(4)
52	05-78-0825	3 x 8 Screw	(12)



**NOTE:**  
 Model 0880-20 serial break "B" has two designs. If the hose is stowed on the outside of the product, refer to pages 1-2. If the hose can be stowed inside the product, refer to page 3.

**NOTE:**  
 Filters are meant for dry applications only. Before cleaning the filter, check the safety icon to determine if your filter can be cleaned with water or not.

FIG.	PART NO.	DESCRIPTION OF PART	NO. REQ.
1	14-38-0011	Top Cover Assembly	(1)
2	14-38-0012	Middle Housing Assembly	(1)
3	23-66-0011	Switch	(1)
4	-----	Middle Housing	(1)
5	45-76-0030	Air Inlet Connector Assembly	(1)
6	14-30-0303	Motor & PCBA Assembly	(1)
7	14-38-0013	Bottom Base Assembly	(1)
8	42-46-7015	Ball	(1)
9	42-46-7020	Ball Cage	(1)
10	49-90-1900	Filter	(1)
11	43-44-0020	Bottom Base Gasket	(1)
12	14-38-0014	Dirt Tank Assembly	(1)
13	14-37-0105	Hose Assembly	(1)
14	31-01-0875	Utility Tool	(1)
15	31-01-0855	Crevice Tool	(1)
16	12-20-0112	Service Nameplate (Not Shown)	(1)



**FIG. 16 NOTES**  
 A clean, dry surface is essential for proper performance for any adhesive system. The area intended for application of any adhesive label or nameplate must be prepared by cleaning with isopropyl alcohol. The solvent is to be applied with a clean, lint free applicator and the surface allowed to dry before applying the label or nameplate.