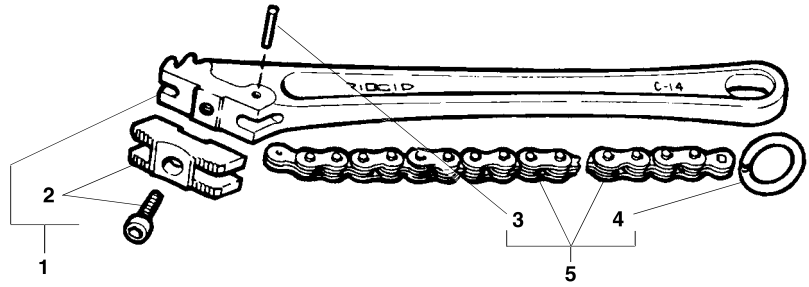
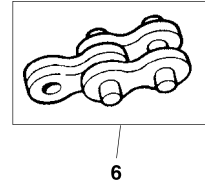


## Heavy-Duty Chain Wrench

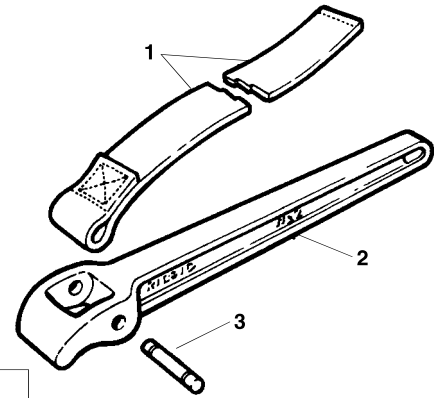


**NOTE: Order parts by Catalog Number only.  
DO NOT order by Reference Number.**

		<b>C14</b> Max. 2"	<b>C18</b> Max. 2 1/2"	<b>C24</b> Max. 3"	<b>C36</b> Max. 4 1/2"
<b>Ref. No.</b>	<b>Description</b>	<b>Catalog No.</b>	<b>Catalog No.</b>	<b>Catalog No.</b>	<b>Catalog No.</b>
1	Handle Assembly	32540	32565	32585	32595
2	Jaw with Screw	32550	32575	32590	32600
3	Pin	32560	32580	32580	32610
4	Ring	32555	32555	32555	32555
5	Chain Assembly	32545	32570	32570	32605
6	Link	68620	68625	68625	68630

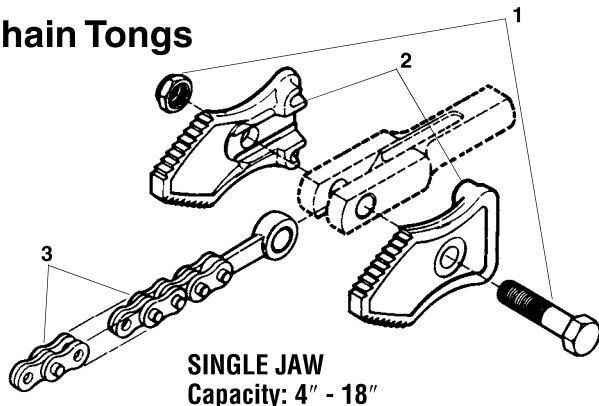


## Strap Wrench

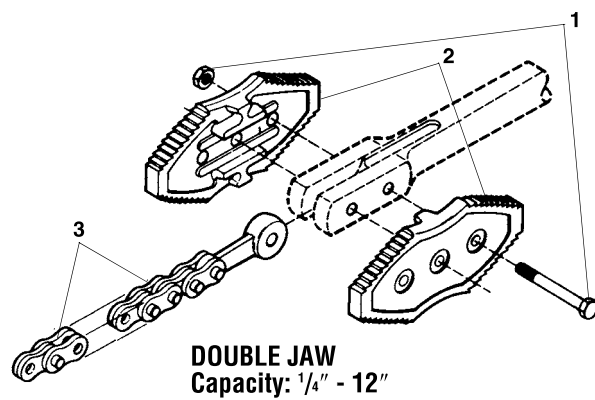


	<b>1</b> 1/8"-2"	<b>2</b> 1/8"-2"	<b>2P</b> 1/8"-2"	<b>5</b> 1"-5"	<b>5P</b> 1"-5"
<b>Ref. No.</b>	<b>Catalog No.</b>	<b>Catalog No.</b>	<b>Catalog No.</b>	<b>Catalog No.</b>	<b>Catalog No.</b>
1	17" Strap 24" Strap 30" Strap 48" Strap	31990 — — —	32015 32020 32025 —	32035 — — —	— 32050 32055 —
2	Handle	32005	32040	32040	32075
3	Pin	32010	32045	32045	32080

## Chain Tongs



<b>Ref. No.</b>	<b>Description</b>	<b>3215</b>
1	Nut & Bolt	93020
2	Jaws	93015
3	Chain	93010



<b>Ref. No.</b>	<b>Description</b>	<b>3229</b>	<b>3231</b>	<b>3233</b>	<b>3235</b>	<b>3237</b>
1	Nut & Bolt	93035	93050	93050	93080	93095
2	Jaws	93030	93045	93060	93075	93090
3	Chain	93025	93040	93055	93070	93085