

PF1500 Series



High-Efficiency Toilet

Calhoun series

Product Features

- 1.28 GPF HET, High-Efficiency Toilet
- Gravity fed, jetted box rim
- 2" fully glazed trapway
- High performance 3" flush valve
- 9" x 7" water surface
- Close coupled tank with cover
- Quick connect, two-bolt tank-to-bowl installation
- Chrome and white lever available
- Available in round front, elongated and ADA elongated
- Seat and supply not included
- Anti-siphon fill valve
- Sanitary bar on all bowls
- Uses 20% less water than standard low consumption toilets



PF1503WH/PF6112WH

Codes and Standards

- ADA (PF1503WH)
- IAPMO/cUPC
- ASME A112.19.2 / CSA B45.1-13
- EPA WaterSense Certified
- MaP tested 1000g
- LEED Compliant

Model Numbers

- PF1500WH Round Front HET Bowl, White
- PF1501WH Elongated HET Bowl, White
- PF1502FWH Elongated, Large Footprint Bowl, White
- PF1503WH ADA Height HET Bowl, White
- PF6112WH 1.28 HET Tank w/ 12" RI for PF1500 series
- PF6112WHM 1.28 HET Tank w/ 12" RI for PF1500 series - color match lever
- PF6110WH 1.28 HET Tank w/ 10" RI for PF1500 series
- PF6114WH 1.28 HET Tank w/ 14" RI for PF1500 series
- PF6112RWH 1.28 RH Tank w/ 12" RI for PF1500 series



High-Efficiency Toilet

Calhoun series

Product Specification

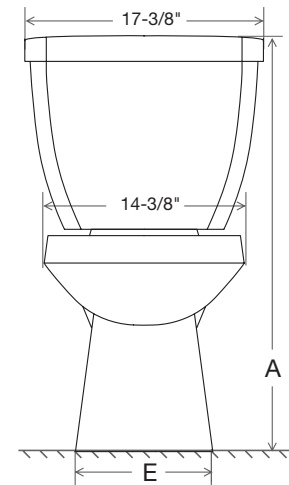
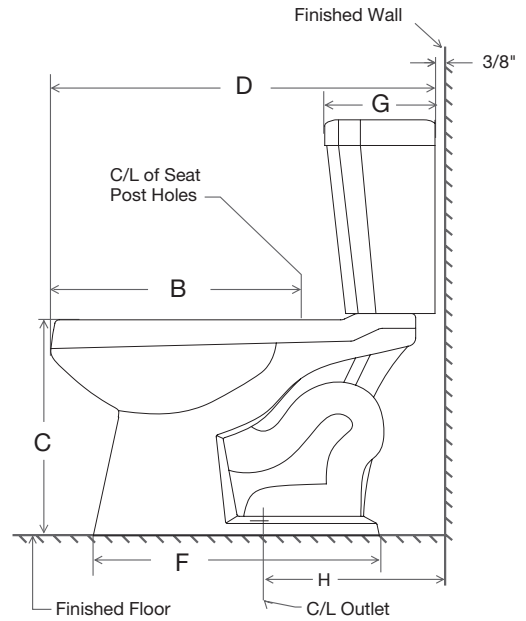
The combination toilet shall be made of vitreous china. Toilet shall be 1.28 gpf (4.8 lpf). Toilet shall have 2" (5.1cm) fully glazed trapway. Toilet shall include a chrome or white trip lever. Toilet shall be less seat and supply. Toilet shall be ADA compliant (PF1503) with 17" high bowl.

	RF	EL	EL	ADA
	PF1500/PF6112	PF1501/PF6112	PF1502F/PF6112	PF1503/PF6112
A	30"	30"	31-1/8"	31-1/2"
B	16-1/2"	18-1/2"	18-1/2"	18-1/2"
C	15-1/2"	15-1/2"	16-1/2"	17"
D	27"	29"	29"	29-1/4"
E	10"	9-7/8"	12"	10"
F	20-5/8"	21-3/8"	25"	21"
G	8"	8"	8"	8"
H	12"	12"	12"	12"

	PF1500/PF6110	PF1501/PF6110	PF1502F/PF6110	PF1503/PF6110
D	26-1/4"	27-7/8"	27-3/4"	28-1/8"
G	6-3/4"	6-3/4"	6-3/4"	6-3/4"
H	10"	10"	10"	10"

	PF1500/PF6114	PF1501/PF6114	PF1502F/PF6114	PF1503/PF6114
D	29-7/8"	31-3/8"	31-1/8"	31-3/8"
G	10-1/4"	10-1/4"	10-1/4"	10-1/4"
H	14"	14"	14"	14"

Note: All dimensions and specifications are nominal and may vary: Dimensions of 8" and greater have a tolerances of +3%. Dimensions less than 8" have a tolerances of +5%.



Warranty and Codes

This product comes complete with installation, operating, care and maintenance instructions. All PROFLO fixtures carry a limited lifetime warranty on the vitreous china and a 5-year limited warranty on the parts and fittings. This product meets or exceeds ASME/ANSI A112.19.2M. In an effort to continually improve our products, we will make design changes from time to time. We reserve the right to ship newly designed product to fill any order unless we agree in writing to do otherwise.

