

# 60" x 30" BRADENTON

ACRYLIC ALCOVE SOAKING TUB

SKU: 948056



## FEATURES

Textured slip-resistant bottom.

Integral tile flange and skirt.

Pre-leveled base.

ABS drain version available if needed for your installation.

Optional Quick Connect Drop-In Drain Kit Includes:

Floor Plate, 1-1/2" PVC Pipe, 2" x 1-1/2" Trap Adapters, 1

Brass Threaded, 1 Brass Unthreaded Tailpiece and Plug.

Installs above your subfloor, but underneath your cement floor or tile, so you do not need access below the fixture.

## SIGNATURE HARDWARE Lifetime Warranty

See website for detailed warranty information.

## CONTENTS

60" X 30" TUB ..... PAGE 2

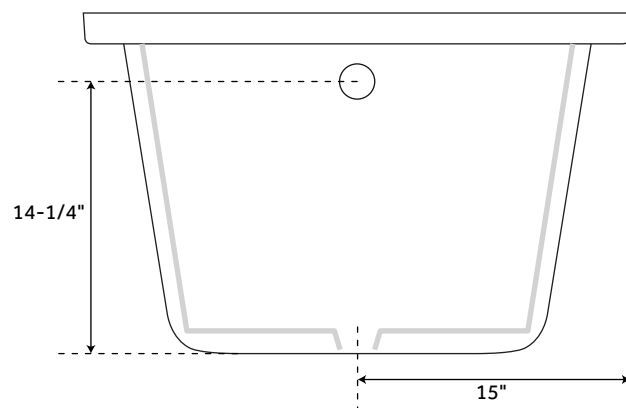
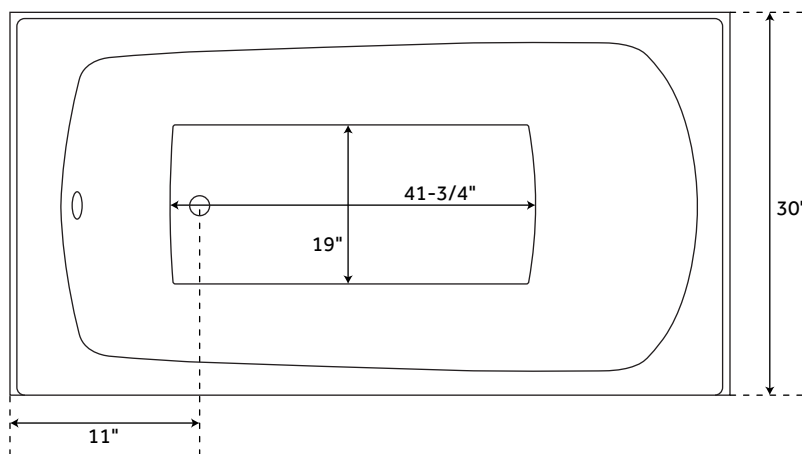
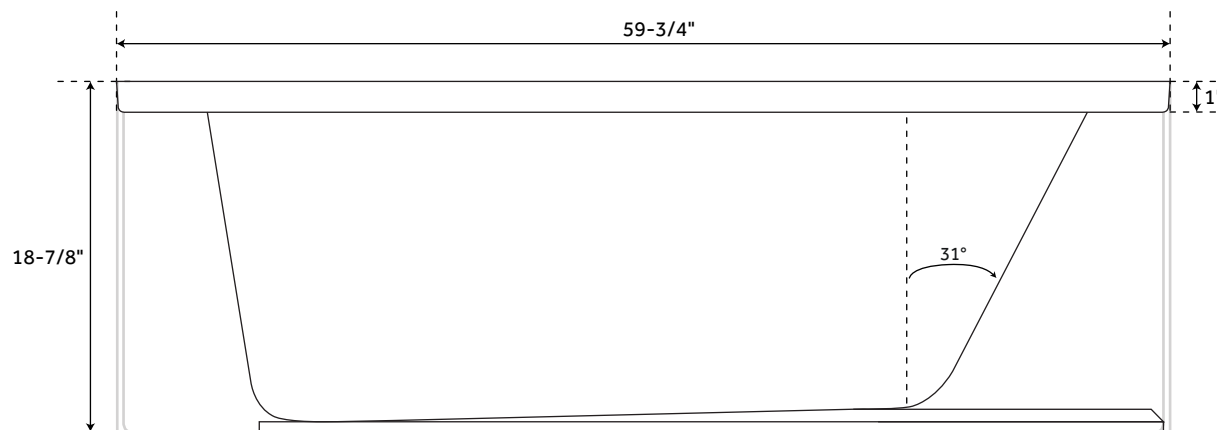
REVISED 05/11/2020

CODE: SHBDS6030LWH/SHBDS6030RWH/SHBDS6030LBS/SHBDS6030RBS

# 60" x 30" BRADENTON

## ACRYLIC ALCOVE SOAKING TUB

SKU: 948056



### FEATURES

- Product Finish: White
- Overflow Hole: Yes
- Shape: Rectangle
- Material: Acrylic
- Length: 59-3/4"
- Width: 30"
- Height: 18-7/8"
- Tub Interior Length: 41-3/4"
- Tub Interior Width: 19"
- Water Depth To Overflow: 14-1/4"
- Drain Included: Optional
- Drain Placement: End
- Faucet Included: No
- Water Capacity (Gallons): 48
- Tub Weight Uncrated (lbs): 87
- Tub Weight Crated (lbs): 197
- All dimensions ( $\pm 1/2"$ ).

### SIGNATURE HARDWARE LIFETIME WARRANTY

See website for warranty information



All dimensions and specifications are nominal and may vary. Use actual products for accuracy in critical situations.

PAGE 3