

## Features

- Vitreous china.
- Elongated bowl.
- 10" or 12" (254 or 305 mm) rough-in.
- 1-1/2" (38 mm) top spud.
- 2-1/4" (57 mm) passageway.
- 11" (279 mm) x 9" (229 mm) water area.
- 1.28 or 1.6 gpf (4.8 or 6.0 lpf) depending on flushometer specified.
- 28-1/4" (718 mm) x 14-7/8" (378 mm) x 17-1/8" (435 mm).

## Recommended Products/Accessories

- K-23726 Drain treatment
- K-23724 Toilet cleaner & disinfectant
- K-23734 Toilet bowl cleaner & disinfectant

## Included Components

- Additional Components:
- Bolt cap accessory pack
  - Spud



## Codes/Standards




- ASME A112.19.2/CSA B45.1
- DOE - Energy Policy Act 1992

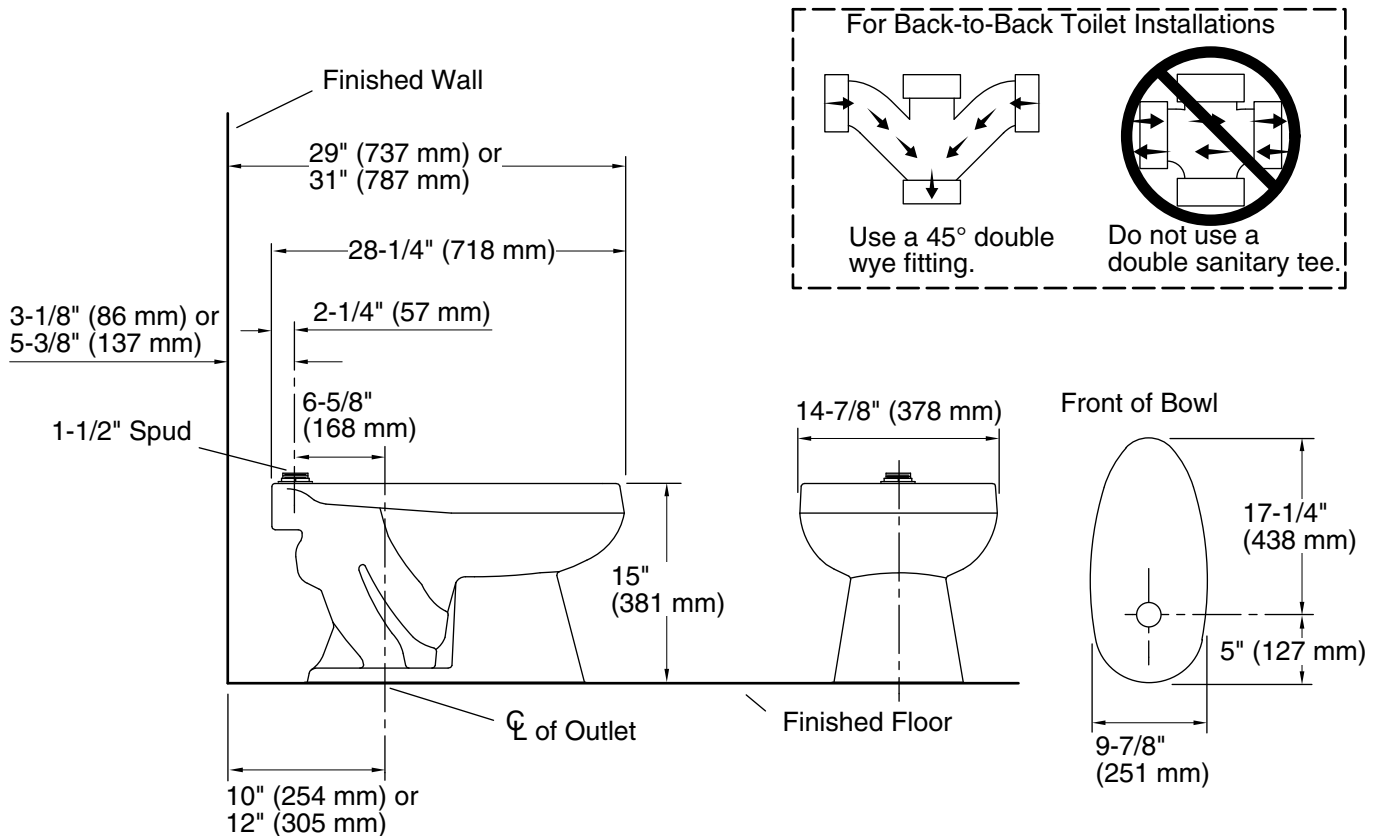
## KOHLER® One-Year Limited Warranty

See website for detailed warranty information.

## Available Colors/Finishes

*Color tiles intended for reference only.*

Color	Code	Description
	0	White
	96	Biscuit
	7	Black Black™



## Technical Information

All product dimensions are nominal.

Toilet type:	Flushometer, Floor-mount
Waste Outlet:	Floor
Bowl shape:	Elongated
Spud size:	1-1/2", Inlet, Top
Trap passageway:	2-1/4" (57 mm)
Water Consumption	
Reduced:	1.28 gpf (4.8 lpf)
Water surface size:	11" x 9" (279 mm x 229 mm)
Rim to water surface:	6" (152 mm)
Rough-in:	12" (305 mm)
Seat-mounting holes:	5-1/2" (140 mm)

## Fixture Supply Requirements

Min static pressure:	35 psi (241.3 kPa)
Max static pressure:	80 psi (551.6 kPa)
Min flowing pressure:	25 psi (172.4 kPa)
Min flow rate:	25 gpm (94.6 lpm)

## Notes

Install this product according to the installation instructions.

For back-to-back toilet installations: Use only a 45° double wye fitting.