

PF1731

# High Efficiency Flush Valve Bowl Wall-mount



### Product Features

- Vitreous china
- High efficiency wall mount toilet flush valve
- Siphon jet flushing
- 1.1 gpf/4.16 Lpf - 1.6 gpf/6.0 Lpf
- 1-1/2" top inlet spud
- 7-1/2" x 8-1/2" water surface
- Uses 20% less water than standard low consumption toilets when used with High Efficiency Flushometer Valve
- Flush valve and seat not included



PF1731WH

### Codes and Standards

- ADA
- IAPMO/UPC
- ASME A112.19.2
- CSA
- EPA WaterSense

\*WaterSense compliant when used with a 1.1 gpf or 1.28 gpf WaterSense-compliant flushometer

### Technical Information

Fixture is ADA compliant.	
<b>Fixture:</b>	
Configuration	siphon-jet, rear outlet
Gallons per flush	1.1 gpf/4.16 Lpf - 1.6 gpf/6.0 Lpf
Spud size	1 1/2" top
Trapway	2" fully glazed
Water area	7-1/2" x 8-1/2"
Seat post hole centers	5 1/2"

### Specified Model

Model	Model Description	Color Finishes
PF1731	Elongated wall-mount flush valve bowl	○ White (WH)



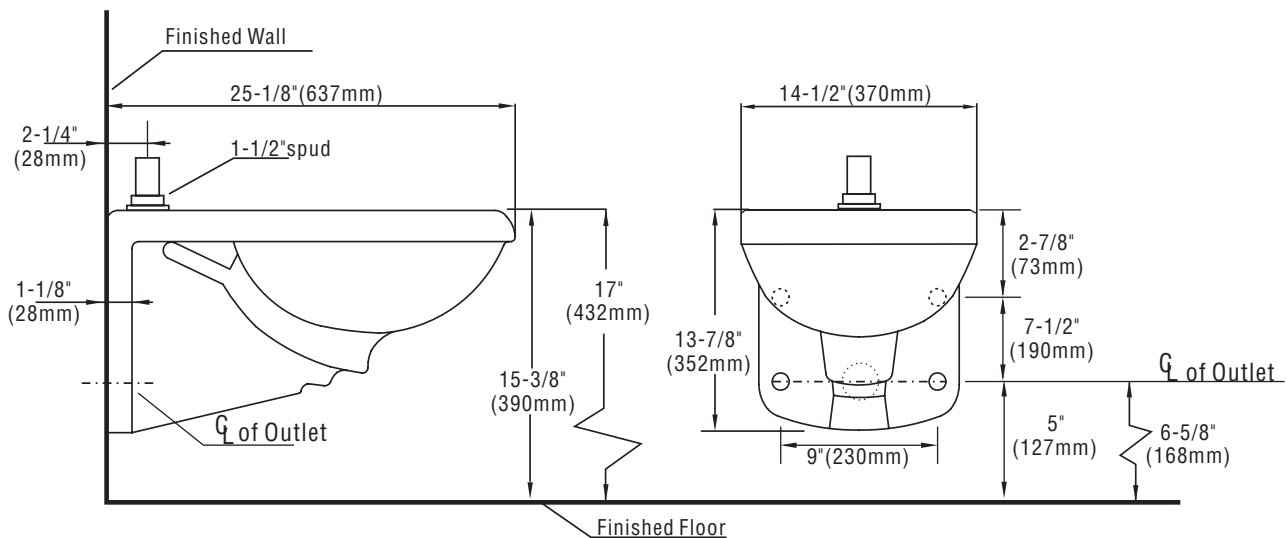
PF1731

# High Efficiency Flush Valve Bowl Wall-mount



## Product Specifications

The elongated bowl shall be wall mount with 1-1/2" top spud. Bowl shall be made of vitreous china. Bowl shall have 1.1 gpf/4.16 Lpf - 1.6 gpf/6.0 Lpf and shall have 7-1/2" x 8-1/2" water area when used with High Efficiency Flushometer Valve. Bowl shall have 2" passageway. Bowl shall be 25-1/8" in length, 14-1/2" in width, and 13-7/8" in height. Bowl shall be PROFLO model PF1731.



All dimensions and specifications are nominal and may vary: Dimensions of 8" and greater have a tolerances of +3%. Dimensions less than 8" have a tolerances of +5%.

## Warranty and Codes

These products come complete with installation, operating, care and maintenance instructions. All PROFLO fixtures carry a 1- year limited warranty. These products meet or exceed ASME/ANSI A112.19.2M. In an effort to continually improve our products, FEI will make design changes from time to time. We reserve the right to ship newly designed product to fill any order unless we agree in writing to do otherwise.

