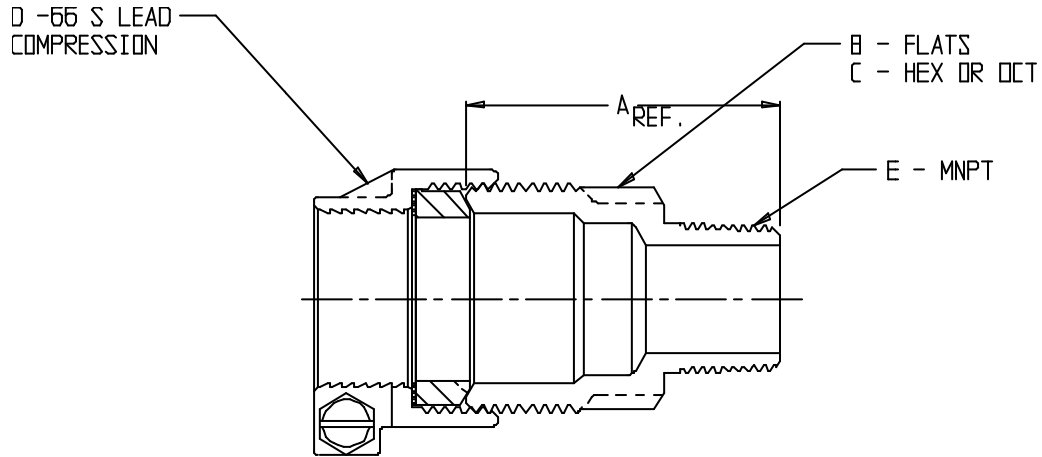
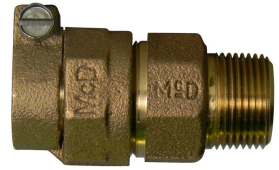


SUBMITTAL DATA SHEET

NL Service Fitting – 74753-66

-66 S Lead Compression x MNPT



| MODEL | SIZE | A | B | C | D | E |
|----------|-----------|------|------|-----|-----|-----|
| 74753-66 | 5/8 X 3/4 | 2.03 | 1.38 | OCT | 5/8 | 3/4 |
| 74753-66 | 3/4 | 2.19 | 1.34 | HEX | 3/4 | 3/4 |
| 74753-66 | 1 | 2.51 | 1.85 | OCT | 1 | 1 |
| 74753-66 | 1 X 3/4 | 2.66 | 1.85 | OCT | 1 | 3/4 |

SUBMITTAL INFORMATION

- Manufactured in compliance with ANSI/AWWA C800 (latest revision)
- Brass components in contact with potable water conform to ASTM B584, UNS C89833 (latest revision) and identified with “NL”
- Certified to NSF/ANSI 61 and NSF/ANSI 372
- Brass components not in contact with potable water conform to ASTM B62 and ASTM B584, UNS C83600 -85-5-5-5 (latest revision)
- Large wrench flats provided for proper installation



A.Y. McDonald Mfg. Co.
P.O. Box 508
Dubuque, IA 52004-508

Toll Free: 1-800-292-2737
Fax: 1-800-832-9296
Hours: 7:00 a.m. – 5:00 p.m., CST

sales@aymcdonald.com
www.aymcdonald.com

A.Y. McDonald considers the information on this assembly drawing correct when published. Item and option availability, including specifications, are subject to change without notice.

Submitted by: